

PRICE LIST 2025





LIBRA



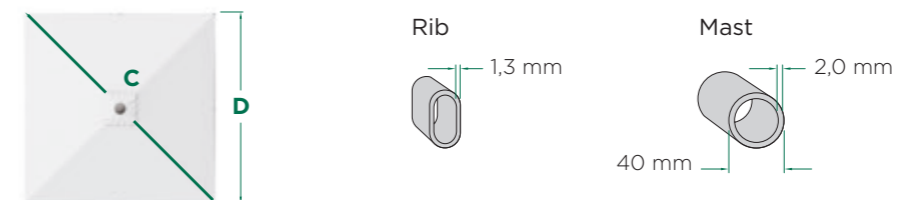
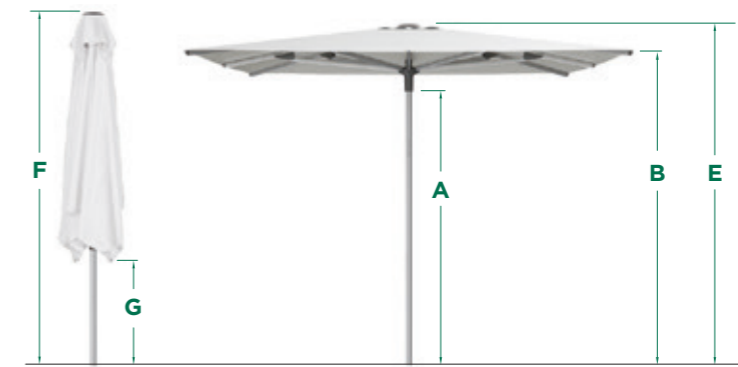
	Order Number	Size & Shape	Framecolor	Retail Prize
	H000900	2,5 x 2,5 m square	Shadow Graphite	753 €
	H000901	2,5 x 2,5 m square	Anodized Silver	809 €

TABLE OF CONTENTS

- 03** LIBRA
- 04** ATLAS
- 05** ASTRAL
- 06** SOLARIS
- 08** POLARIS
- 10** Mount Kits
- 12** Bases & Weights
- 14** Weight-Matrix
- 15** General terms & conditions, Contact



KEY	DESCRIPTION	2,5 x 2,5 m
	Canopy Shape	square
	Coverage	6,25 m ²
	Ribs	8
	Size	2,5 m
	Weight	16,3 kg
A	Lower Hub HEIGHT (Open)	1,9 m
B	Rib End HEIGHT (Open)	2,0 m
C	Canopy LENGTH (Diagonal)	3,6 m
D	Canopy WIDTH	2,5 m
E	Overall HEIGHT (Open)	2,3 m
F	Overall HEIGHT (Closed)	2,3 m
G	Rib End HEIGHT (Closed)	0,5 m
	Minimum Base Weight	45,5 kg

All prices ex, VAT.

ATLAS

Order Number Size & Shape Framecolor Retail Prize



H000880

3,5 x 3,5 m square

Shadow Graphite

2.429 €

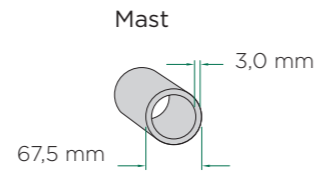
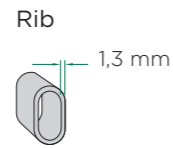
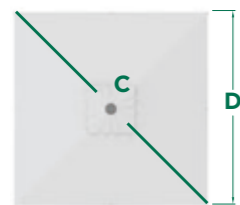
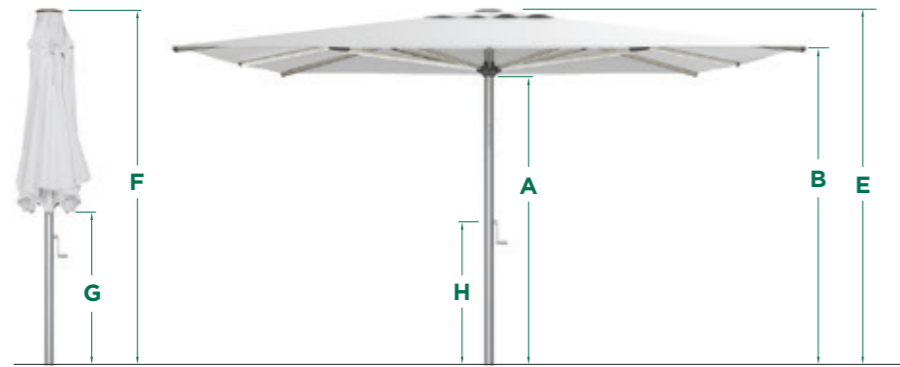


H000881

3,5 x 3,5 m square

Anodized Silver

2.591 €



KEY	DESCRIPTION	3,5 x 3,5 m
	Canopy Shape	square
	Coverage	12,25 m ²
	Ribs	8
	Size	3,5 m
	Weight	34,0 kg
A	Lower Hub HEIGHT (Open)	2,1 m
B	Rib End HEIGHT (Open)	2,2 m
C	Canopy LENGTH (Diagonal)	5,0 m
D	Canopy WIDTH	3,5 m
E	Overall HEIGHT (Open)	2,7 m
F	Overall HEIGHT (Closed)	3,5 m
G	Rib End HEIGHT (Closed)	1,0 m
H	Höhe bis Kurbel	1,0 m
	Minimum Base Weight	136 kg

ASTRAL

Order Number Size & Shape Framecolor Retail Prize

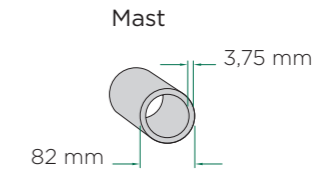
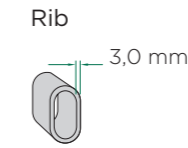
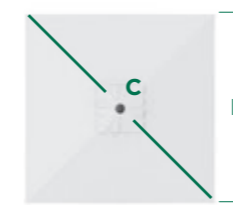


H000882

4,0 x 4,0 m square







Shadow Graphite

3.804 €

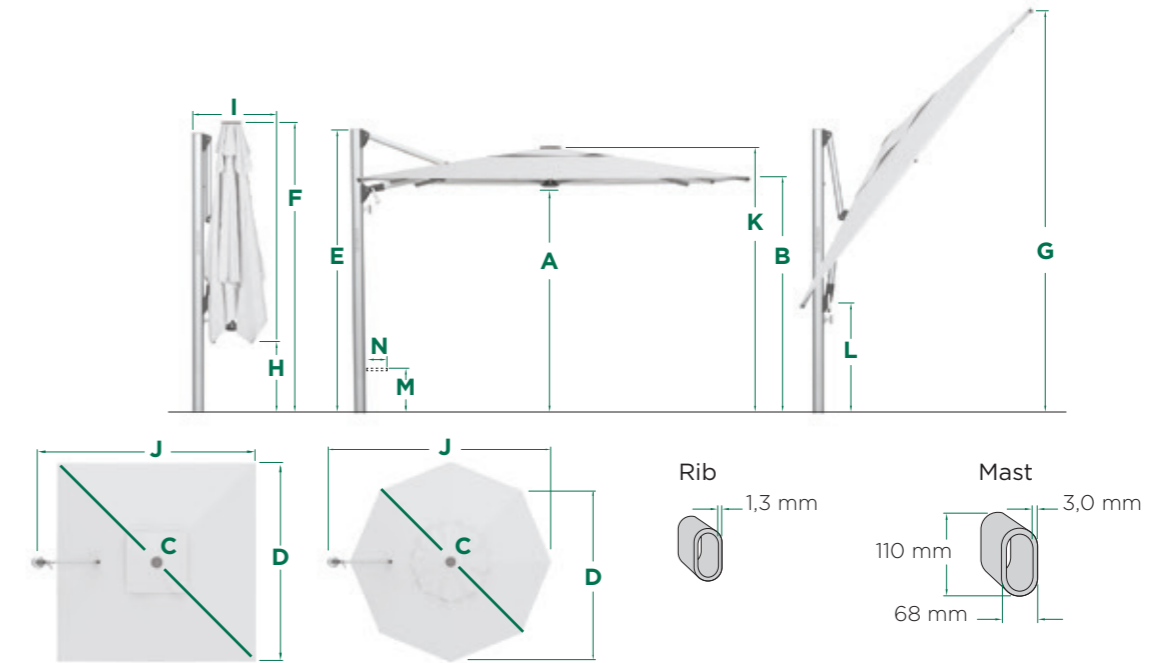


KEY	DESCRIPTION	4,0 x 4,0 m
	Canopy Shape	square
	Coverage	16,00 m ²
	Ribs	8
	Size	4,0 m
	Weight	58,1 kg
A	Lower Hub HEIGHT (Open)	2,2 m
B	Rib End HEIGHT (Open)	2,3 m
C	Canopy LENGTH (Diagonal)	5,6 m
D	Canopy WIDTH	4,0 m
E	Overall HEIGHT (Open)	2,8 m
F	Overall HEIGHT (Closed)	3,8 m
G	Rib End HEIGHT (Closed)	1,0 m
H	Höhe bis Kurbel	0,9 m
	Minimum Base Weight	227 kg

SOLARIS





	Order Number	Size & Shape	Framecolor	Retail Prize
	H000896	Ø 3,0 m rund	Shadow Graphite	2.186 €
	H000897	Ø 3,0 m rund	Anodized Silver	2.348 €
	H000894	3,0 x 3,0 m square	Shadow Graphite	2.429 €
	H000895	3,0 x 3,0 m square	Anodized Silver	2.591 €
	H000898	Ø 3,5 m rund	Shadow Graphite	2.348 €
	H000899	Ø 3,5 m rund	Anodized Silver	2.534 €

SOLARIS

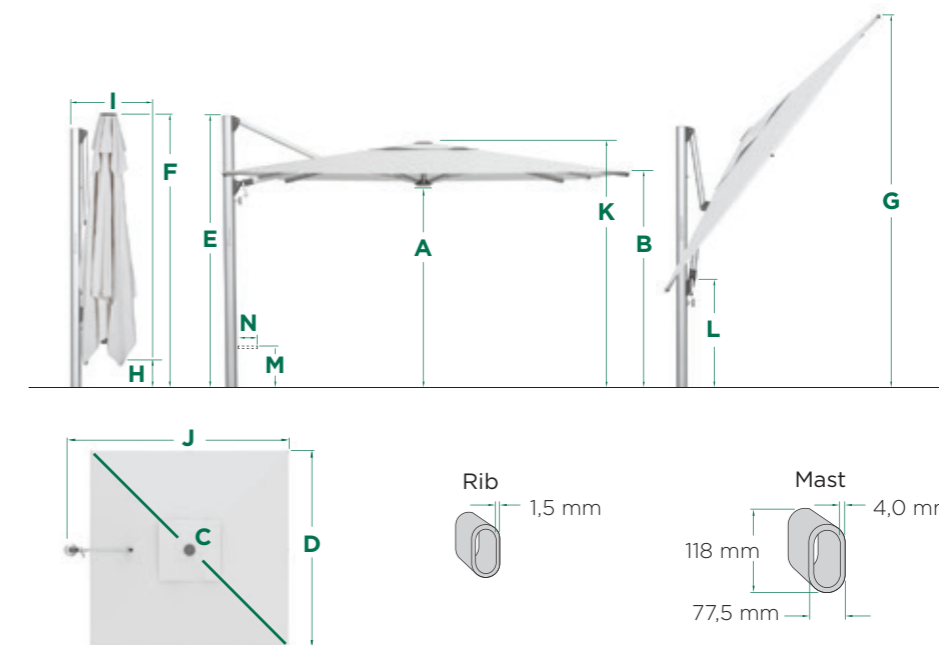


KEY	DESCRIPTION	3,0 m	3,0 x 3,0 m	3,5 m
	Canopy Shape	rund	square	rund
	Coverage	6,36 m ²	9,00 m ²	8,66 m ²
	Streben	8	8	8
	Size	3,0 m	3,0 m	3,5 m
	Weight	40,7 kg	41,7 kg	43,5 kg
A	Lower Hub HEIGHT (Open)	2,3 m	2,3 m	2,2 m
B	Rib End HEIGHT (Open)	2,3 m	2,2 m	2,2 m
C	Canopy LENGTH (Diagonal)	3,0 m	4,2 m	3,5 m
D	Canopy WIDTH	2,8 m	3,0 m	3,3 m
E	HEIGHT to Mast Top	2,7 m	2,7 m	2,7 m
F	Overall HEIGHT (Closed)	2,8 m	2,8 m	2,9 m
G	Overall HEIGHT (Max Tilt)	4,1 m	4,1 m	4,5 m
H	Rib End HEIGHT (Closed)	1,3 m	0,7 m	1,1 m
I	Mast End to Canopy Edge (Closed)	0,5 m	0,5 m	0,5 m
J	Mast End to Canopy Edge (Open)	3,4 m	3,4 m	3,9 m
K	HEIGHT to Canopy Top (Open)	2,6 m	2,5 m	2,6 m
L	HEIGHT to Slider Car (Max Tilt)	1,1 m	1,1 m	1,0 m
M	HEIGHT to Turning Handle	0,5 m	0,5 m	0,5 m
N	Turning Handle Width	0,2 m	0,2 m	0,2 m
	Minimum Base Weight	136 kg	159 kg	181 kg

POLARIS

	Order Number	Size & Shape	Framecolor	Retail Prize
	H000890	3,5 x 3,5 m square	Shadow Graphite	3.158 €
	H000891	3,5 x 3,5 m square	Anodized Silver	3.393 €
	H000892	4,0 x 4,0 m square	Shadow Graphite	3.482 €
	H000893	4,0 x 4,0 m square	Anodized Silver	3.587 €

POLARIS



KEY	DESCRIPTION	3,5 x 3,5 m	4,0 x 4,0 m
	Canopy Shape	square	square
	Coverage	12,25 m ²	16,00 m ²
	Streben	8	8
	Size	3,5 m	4,0 m
	Weight	56,7 kg	59,4 kg
A	Lower Hub HEIGHT (Open)	2,3 m	2,3 m
B	Rib End HEIGHT (Open)	2,3 m	2,3 m
C	Canopy LENGTH (Diagonal)	5,0 m	5,6 m
D	Canopy WIDTH	3,5 m	4,0 m
E	HEIGHT to Mast Top	2,9 m	2,9 m
F	Overall HEIGHT (Closed)	2,9 m	3,1 m
G	Overall HEIGHT (Max Tilt)	4,5 m	4,9 m
H	Rib End HEIGHT (Closed)	0,5 m	0,3 m
I	Mast End to Canopy Edge (Closed)	0,6 m	0,6 m
J	Mast End to Canopy Edge (Open)	4,0 m	4,4 m
K	HEIGHT to Canopy Top (Open)	2,8 m	2,8 m
L	HEIGHT to Slider Car (Max Tilt)	1,0 m	0,9 m
M	HEIGHT to Turning Handle	0,6 m	0,6 m
N	Turning Handle Width	0,2 m	0,2 m
	Minimum Base Weight	249 kg	318 kg

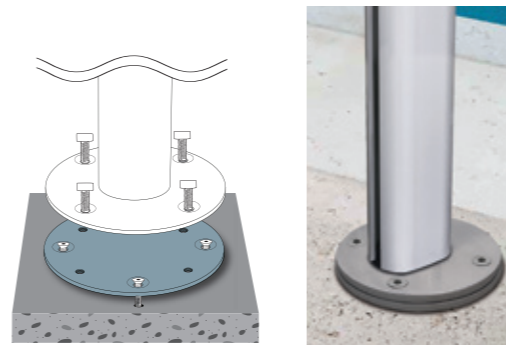
MOUNT KITS

	Order No.	Weight	Framecolor	Notes	Retail Prize
Befestigungssets					
1. External Stem required for Mount Kits and Z-Plate	H001076	2,3 kg	Shadow Graphite	for LIBRA	40 €
2. Mount Kit Concrete minimum thickness of foundation 15 cm	H001070	7,5 kg	galvanized	for all styles	121 €
3. Mount Kit In-Ground	H001072	23,5 kg	galvanized	for all styles	185 €

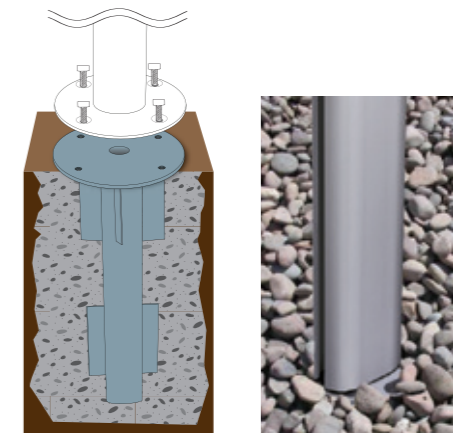
Foundation size depending on size of umbrella:
 up to 10 m²: 70 x 70 x 60 cm | up to 15 m²: 80 x 80 x 60 cm | up to 20 m²: 90 x 90 x 60 cm

MOUNT KITS

2 Mount Kit Concrete



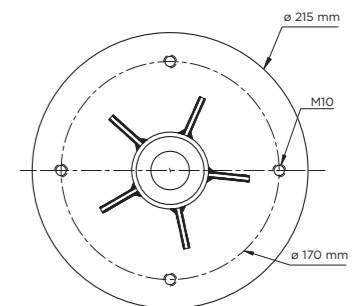
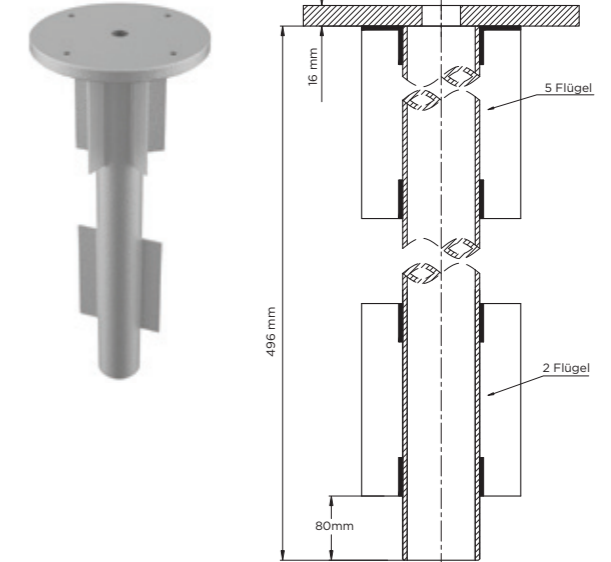
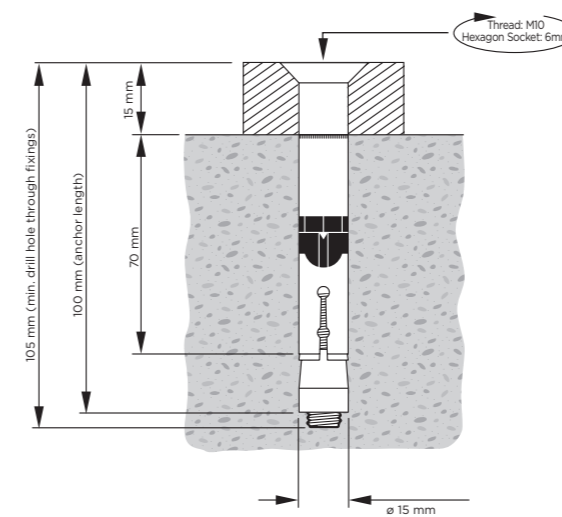
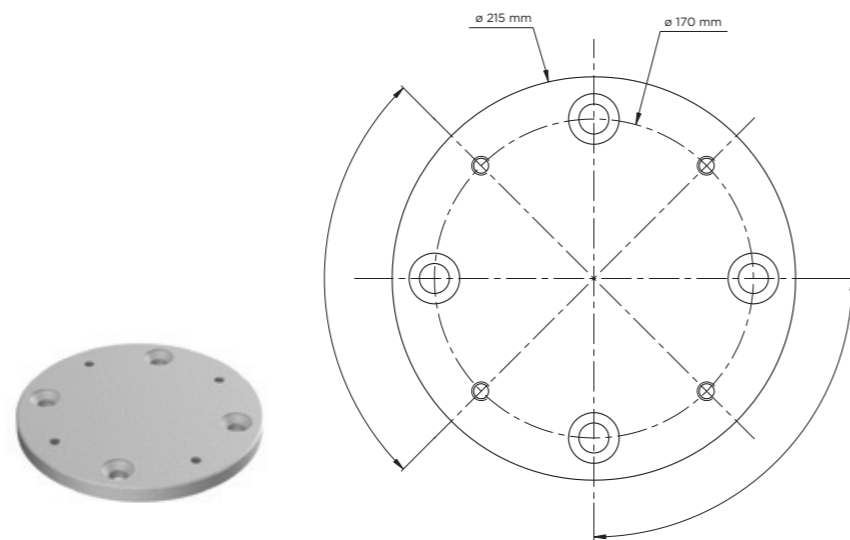
3 Mount Kit In-Ground



1 External Stem

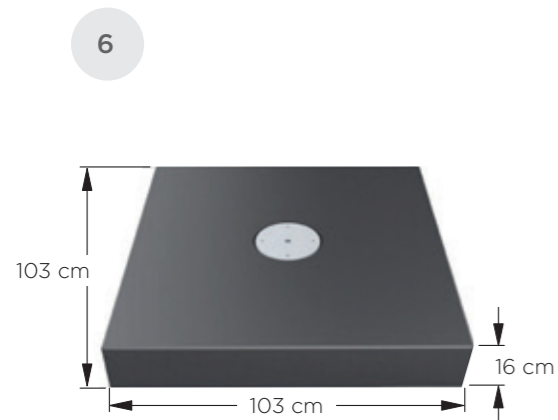
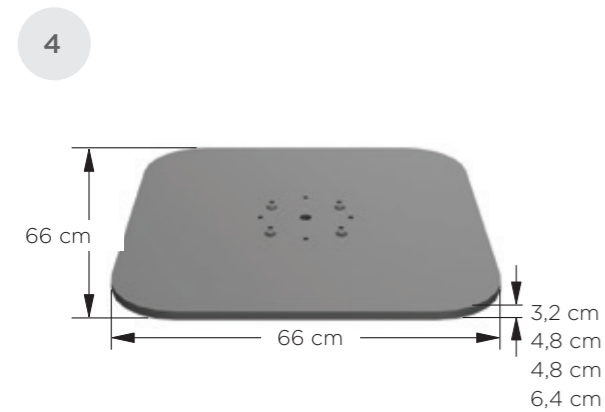


2 Mount Kit Concrete

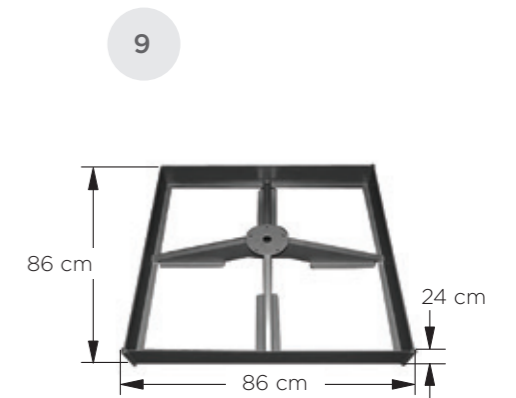
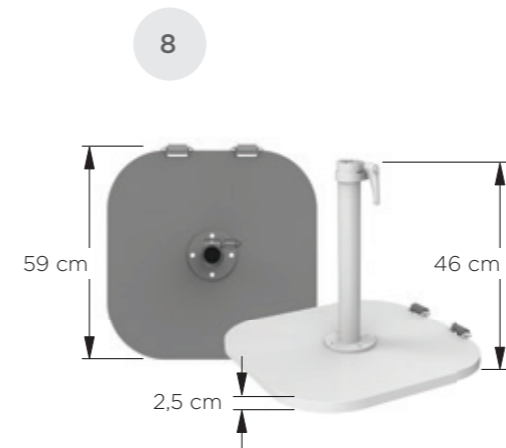


WEIGHTS & BASES

	Order No.	Weight	Framecolor	Notes	Retail Prize
4. Z-Plate steel base plate	H001083	154 kg	Shadow Graphite	for ATLAS, ASTRAL SOLARIS, POLARIS	1.093 €
	H001084	204 kg	Shadow Graphite	for ATLAS, ASTRAL SOLARIS, POLARIS	1.457 €
	H001085	256 kg	Shadow Graphite	for ATLAS, ASTRAL SOLARIS, POLARIS	1.781 €
	H001086	358 kg	Shadow Graphite	for ATLAS, ASTRAL SOLARIS, POLARIS	2.591 €
5. Add-On Wheels set of 4 locking wheels	H001079	10,8 kg		up to 500 kg	104 €



	Order No.	Weight	Framecolor	Notes	Retail Prize
6. Titan galvanized steel frame + aluminum lid for up to 32 pavers (30x30x4 cm, -7,7kg) - (pavers not included)	H001073	54,3 kg (total max weight -300 kg)	Shadow Graphite	for ATLAS, ASTRAL SOLARIS, POLARIS	1.133 €
	H001080	192 kg	Shadow Graphite	for ATLAS, ASTRAL SOLARIS, POLARIS	2.024 €
	H001081	260 kg	Shadow Graphite	for ATLAS, ASTRAL SOLARIS, POLARIS	2.591 €
7. Infinity galvanized steel frame + aluminum lid, galvanized steel plates	H001082	329 kg	Shadow Graphite	for ATLAS, ASTRAL SOLARIS, POLARIS	3.158 €
	H001074	55 kg	Shadow Graphite	for LIBRA	372 €
8. Aspen steel with wheels	H001077	25 kg (total max weight -250 kg)	black	for ATLAS, ASTRAL SOLARIS, POLARIS	323 €



WEIGHT-MATRIX

UMBRELLA & SPECIFICATIONS			MOUNTING OPTIONS						
Size & Shape	Base Weight (kg)	Cover- age (m²)	Mount Kits		Infinity	Z-Plate	Titan	Base	Aspen
			Concrete H001070	In-Ground H001072**	S.U.	S.U.	H001073***	H001077***	H001074
ATLAS									
3,5 x 3,5 m square	136,08	12,25	✓	80 x 80 x 60	H001080	H001083	12	8	---
ASTRAL									
4 x 4 m square	226,8	16	✓	90 x 90 x 60	H001081	H001085	24	16	---
SOLARIS									
3 x 3 m square	158,76	9	✓	70 x 70 x 60	H001080	H001084	16	12	---
Ø 3 m octagon	136,08	6,36	✓	70 x 70 x 60	H001080	H001084	12	8	---
Ø 3,5 m octagon	181,44	8,66	✓	70 x 70 x 60	H001080	H001084	20	12	---
POLARIS									
3,5 x 3,5 m square	249,48	12,25	✓	80 x 80 x 60	H001081	H001085	28	16	---
4 x 4 m square	317,52	16	✓	90 x 90 x 60	H001082	H001086	---	---	---
LIBRA									
2,5 x 2,5 m square	45,36	6,25	✓*	70 x 70 x 60*	---	---	---	---	H001074*

* External Stem requires (H001076) ** Size *** No. of Pavers

TERMS AND CONDITIONS, CONTACT

Shipping Umbrellas: ex works

Shipping Spare Parts & Accessories: ex works

REMARKS - Good to Know

We expressly point out that umbrellas are customised products. Changes or cancellations of ordered and confirmed orders are not possible. Orders can only be placed in writing by e-mail to team@spettmannngmbh.de.

- Tolerances regarding dimensions, weights and performance etc. as well as printing errors are permissible. We reserve the right to make model changes and technical modifications at.
- Unless an express fixed price agreement has been made, we reserve the right to make reasonable price changes due to changes in wage, material and supply costs during the term of the price list / catalogue without prior notice.
- We reserve the right to prior sale.
- Our terms of delivery and payment (GTC) apply. Simply scan the QR code on the right handside.

Important Information:

Returns of any kind require the written consent of Spettmann GmbH. Please request a return slip in advance and attach it to the outer packaging of the return. If possible, use the original packaging for the umbrella. No goods will be accepted, processed and possibly credited without prior notice and a completed and visibly affixed return slip.

For simple returns, a processing fee of 30% of the goods value is deducted.

Terms and Conditions



Guarantee



