

export price list **2023** - v02

english



PRODUCT INDEX

Freestanding awnings and dividers

ZEN	page 6
LARGE	page 12
TWIN	page 18
FLEXY	page 26
ZED	page 34

Retractable umbrellas

RODI	page 40
------------	---------

Side post umbrellas with tilt

ISCHIA	page 46
--------------	---------

Side post umbrellas

CAPRI	page 52
RIO	page 58

MAXI aluminum telescopic umbrellas

MAXI	page 64
------------	---------

Wall and Corner umbrellas

WALL	page 68
WALL CORNER	page 68

AMBIENCE umbrellas and partitions

PLANT	page 74
PAGODA	page 74
DIAMOND	page 75
CHESTER	page 75
TOTEM	page 79
WING	page 79

Aluminum central post umbrellas

REFLEX	page 82
--------------	---------

Aluminum central post telescopic umbrellas

REFLEX TELESCOPIC	page 86
-------------------------	---------

Aluminum central post umbrellas with tilt

ONDA	page 92
------------	---------

Wooden central post telescopic umbrellas

MONTECARLO	page 96
------------------	---------

Wooden central post umbrellas

LIPARI	page 100
--------------	----------

Contract aluminum side post umbrellas

SINGOLO	page 106
DOPPIO	page 110
QUADRUPLO	page 114
SOLEADO	page 118

Bases

FREESTANDING BASES	page 124
SURFACE MOUNT PLATES	page 127
GROUND INSERT BASES	page 128
WALL MOUNT BASES	page 128

EXPORT PRICE LIST 2023 - V02

RECOMMENDED RETAIL PRICES (VAT EXCLUDED)

FABRICS

Our goal is to produce top quality products. For this reason we use only prime grade materials and the best fabrics for outdoor use. For technical reasons not all fabrics are available for all the items. We invite you to check our price list. In order to help you with your choice, we would like to illustrate the main characteristics of the fabrics we use:

ACRYLIC FABRIC ECRU (A00) - HIGH RATIO QUALITY/PRICE

A specific treatment makes it water-repellent and protects it from stains. Available only in color ecru A00. A regular treatment with neutral detergent at 30 degrees maintains the fabric for a long period. 290 g/m².

SOLUTION DYED ACRYLIC FABRIC - THE BEST COLOURED FABRIC FOR OUTDOOR USE

The color added in the process of generation of the fibre provides a high degree of resistance of the fabric against UV rays, also in "aggressive" environments such as in presence of chlorine and salt. The colors do not bleach and remain steady for a long time and moreover the fabric is resistant against moisture. A specific treatment makes it water-repellent and protects it from stains. Regular brushing keeps its original appeal unchanged. UPF 50+ (UV Protection Factor). 280 g/m².

MICRO-MESH FABRIC - THE OPTIMAL SOLUTION FOR WINDY ENVIRONMENTS

The micro-mesh structure allows a natural air circulation and though contemporarily generating a pleasant shadow. The composition of the fibres assures color-fastness and resistance against moisture for a long time. A regular treatment of the fabric with water and neutral soap keeps it long lasting. 500 g/m².

AIRFIM FABRIC - TOTAL WATER RESISTANCE

The fabric coating combined with a special stitching guarantees a total waterproofness. A stain treatment ensures a major resistance to dirt. A regular treatment with neutral detergent at 30 degrees maintains the fabric for a long period. UPF 80 (UV Protection Factor). 200 g/m².

OLEFIM FABRIC - HIGH RATIO QUALITY/PRICE

Solution dyed fibers which guarantees high good color fastness and stability, an excellent sun protection, recyclable. Water repellent and stain resistance, highly resistance against UV Rays degradation, UPF 80 (UV Protection Factor). 190 g/m².

COVER CHARACTERISTICS

SV - without valances

CV - with valances

CA - with vent

SA - without vent

FINISHES

ANODIC - GRAY COLOR

Powder coated aluminum structure in gray color.

AL SILV - SILVER COLOR

Powder coated aluminum structure in silver color.

AL GRAF - GRAPHITE COLOR

Powder coated aluminum structure in graphite color.

AL BIAN - WHITE COLOR

Powder coated aluminum structure in white color.

AL LUC - POLISHED

Anodized aluminum structure.

TEAK SILV - TEAK + SILVER COLOR

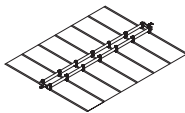
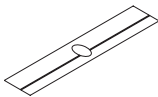
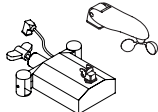

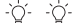
Structure in Teak wood and powder coated aluminum silver color.

LEG GRAF - WOOD + GRAPHITE COLOR

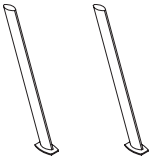
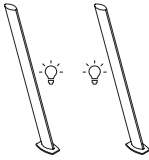
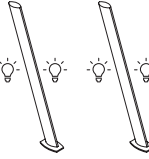


Structure in hard wood and powder coated aluminum graphite color.

Freestanding awnings with a modern and clean design which allow to cover large areas without any central obstruction. FLEXY ZEN has a gray-anodic powder coated aluminum structure. Inclined support poles with elliptical cross section that can integrate a LED lighting system. The canopy is made of independent fabric sections that allow easy replacement. It provides protection against normal rain and can be completely waterproof (only Airfim). The wide canopy can be easily closed with a simple crank mechanism and can be tilted to provide optimum shade at any time. The sliding awning is available in 10 different dimensions. The system allows to have one or more modules, eventually composed of canopies of different length. In this case a pair of side-posts is needed and for each further module a central twin-post. FLEXY ZEN can be supplied with freestanding base and dedicated ballasts, with steel ground insert base or surface mount plate.

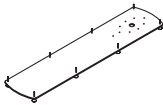
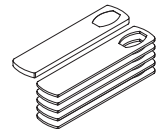
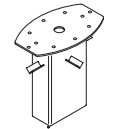
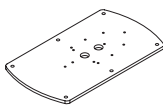
FLEXY ZEN COVERS

CODE	DESCRIPTION	UNIT PRICE IN €			
		Acrylic ecru A00	Solution dyed Acrylic	Micro-mesh	Airfim
	FLEXY ZEN COVER The canopy can be tilted to provide optimal shade at any time. Simple opening and closure with crank mechanism. Supplied with double crossbar to guarantee maximum steadiness. Cover without valances. Protection cover in grey Airfim fabric included. Bases and poles are sold separately. 3 pkg. - wt. 54 kgs - vol. 0,371 m ³	(without valances)	(without valances)	(without valances)	(without valances)
GTFLE001100	GRUPPO TENDA FLEXY 300X488	3.815	4.245	4.245	4.071
GTFLE001200	GRUPPO TENDA FLEXY 300X428	3.474	3.864	3.864	3.712
GTFLE001300	GRUPPO TENDA FLEXY 300X369	3.243	3.588	3.588	3.466
GTFLE001400	GRUPPO TENDA FLEXY 300X309	2.964	3.253	3.253	3.156
GTFLE001500	GRUPPO TENDA FLEXY 300X249	2.616	2.853	2.853	2.777
GTFLE001600	GRUPPO TENDA FLEXY 250X488	3.618	4.002	4.002	3.866
GTFLE001700	GRUPPO TENDA FLEXY 250X428	3.333	3.671	3.671	3.552
GTFLE001800	GRUPPO TENDA FLEXY 250X369	3.072	3.357	3.357	3.265
GTFLE001900	GRUPPO TENDA FLEXY 250X309	2.780	3.024	3.024	2.953
GTFLE002000	GRUPPO TENDA FLEXY 250X249	2.452	2.652	2.652	2.597
	EXTRA PRICE FOR SOLUTION DYED ACRYLIC FABRIC SPECIAL COLOR		+ 14%		
	FLEXY ZEN GUTTER To join several Flexy Zen aside each other. Suitable only for modules. 1 pkg. - wt. 1 kgs - vol. 0,005 m ³	Acrylic ecru A00	Solution dyed Acrylic	Micro-mesh	Airfim
GCN..001800	GRUPPO CANALINA FLEXY Z 300	210	210	210	210
GCN..001700	GRUPPO CANALINA FLEXY Z 250	192	192	192	192
	ELECTRIC MOTOR FOR OPENING AND CLOSING WITH WIND-CONTROL, LED LIGHT, DIMMER AND REMOTE CONTROL Electric motor 24 V with anemometer for automatic closing, dimmable lighting and remote control. Side poles are equipped with lighting system consisting of integrated LED stripes on the inner side (single LED) or on both sides (double LED) of each pole. Standard motor position and closing of the awning: front view on the left. System delivered with transformer (in: 220-110 V / out: 24 V) and without electric plug. Power line on the left pole.				
	ELECTRIC MOTOR SINGLE LED		3.866		
	ELECTRIC MOTOR DOUBLE LED		5.486		

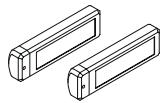
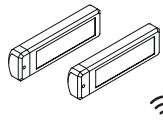
FLEXY ZEN POSTS

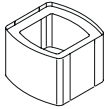

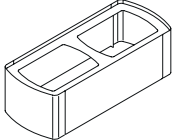
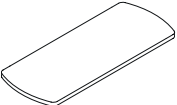
CODE	DESCRIPTION	UNIT PRICE IN €
	<p>FLEXY ZEN SIDE-POSTS</p> <p>Elliptical side poles (left and right) made of powder coated aluminum in gray-anodic color. Two bases are required. Price for 2 poles (left and right). 2 pkg. - wt. 52 kgs - vol. 0,568 m³</p>	
GPALT001900	GRUPPO PALI LATERALI FLEXY ZEN	3.506
	<p>FLEXY ZEN SIDE-POSTS WITH SINGLE LED LIGHTING</p> <p>Elliptical side poles (left and right) made of powder coated aluminum in gray-anodic color. Lighting system 24 V consisting of a LED stripe, integrated on the inner side of each pole. Remote control for dimmable lighting. System delivered with transformer (in: 220-110 V / out: 24 V) and without electric plug. Power line on the left pole. Two bases are required. Price for 2 poles (left and right). 2 pkg. - wt. 54 kgs - vol. 0,568 m³</p>	
GPALT002000	GRUPPO PALI LATERALI FLEXY ZEN CON LUCI	5.126
	<p>FLEXY ZEN SIDE-POSTS WITH DOUBLE LED LIGHTING</p> <p>Elliptical side poles (left and right) made of powder coated aluminum in gray-anodic color. Lighting system 24 V consisting of 2 LED stripes, integrated on both sides of each pole. Remote control for dimmable lighting. System delivered with transformer (in: 220-110 V / out: 24 V) and without electric plug. Power line on the left pole. Two bases are required. Price for 2 poles (left and right). 2 pkg. - wt. 56 kgs - vol. 0,568 m³</p>	
GPALT002500	GRUPPO PALI LATERALI CON DOPPIA LUCE FLEXY ZEN	6.746
	<p>FLEXY ZEN CENTRAL TWIN-POST</p> <p>Elliptical central pole made of powder coated aluminum in gray-anodic color. Needed as connection for two awnings. One base is required. Price for 1 pole (central). 1 pkg. - wt. 27,4 kgs - vol. 0,284 m³</p>	
GPADT001200	GRUPPO PALO DOPPIO FLEXY ZEN	1.913
	<p>FLEXY ZEN CENTRAL TWIN-POST WITH LED LIGHTING</p> <p>Elliptical central pole made of powder coated aluminum in gray-anodic color. Needed as connection for two awnings. Lighting system 24 V consisting of 2 LED stripes, integrated on both sides of the pole. Remote control for dimmable lighting. System delivered with transformer (in: 220-110 V / out: 24 V) and without electric plug. One base is required. Price for 1 pole (central). 1 pkg. - wt. 28,4 kgs - vol. 0,284 m³</p>	
GPADT001300	GRUPPO PALO DOPPIO CON LUCI FLEXY ZEN	3.533
RCART000030	SPECIAL COLOR RAL (only RAL color chart)	ON REQUEST

FLEXY ZEN BASES

CODE	DESCRIPTION	UNIT PRICE IN €
	FLEXY ZEN FREESTANDING BASE Hot dip galvanized steel base with adjustable feet. Requires dedicated ballast GZAVO000300. For complete measures see the end of the price-list. Price for 1 base. 1 pkg. - wt. 81 kgs - vol. 0,092 m ³	
GBASE005400	GRUPPO BASE FE 1800X400 SP12 FLEXY ZEN	1.032
	FLEXY ZEN STEEL BALLASTS WITH ALUMINIUM COVER 5 steel hot dip galvanized ballasts, with powder coated aluminum cover in gray-anodic color for the base GBASE005400. For complete measures see the end of the price-list. Price for 5 ballasts with 1 cover, needed for one base. 1 pkg. - wt. 329 kgs - vol. 0,208 m ³	
GZAVO000300	GRUPPO ZAVORRA FERRO C/COPERCHIO ALU FLEXY ZEN	2.731
	FLEXY ZEN GROUND INSERT BASE Galvanized steel ground insert base including hardware. Top-plate in gray-anodic color. For complete measures see the end of the price-list. Price for 1 base. 1 pkg. - wt. 9,8 kgs - vol. 0,048 m ³	
GBASE005700	GRUPPO BASE STYLO FLEXY ZEN-LARGE	381
	FLEXY ZEN SURFACE MOUNT PLATE Painted galvanized steel plate 70x40 cm, thickness 1,5 cm. It must be fixed to the ground by 6 chemical anchors (not supplied). For complete measures see the end of the price-list. Price for 1 base. 1 pkg. - wt. 34 kgs - vol. 0,049 m ³	
PPIAS013000	BASE GROUND 700X400 SP 15 FLEXY ZEN-LARGE	588

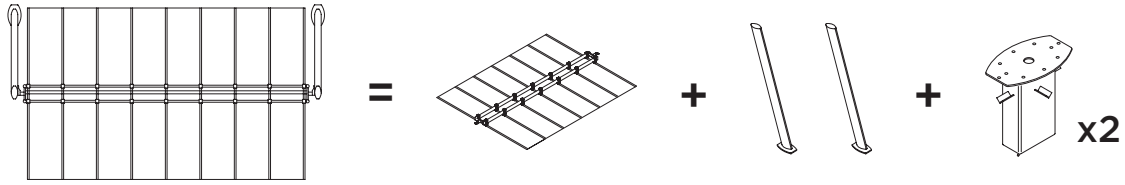
FLEXY ZEN ACCESSORIES

CODE	DESCRIPTION	UNIT PRICE IN €
	HEATERS FOR FLEXY ZEN Heaters with direct connection ON/OFF by plug in, silver colour, voltage 220V, power 2200W, protection rating IPX5. Heating area for each heater: ~ 20/25 m ² - 215/269 ft ² . Set made of 2 heaters. Supplied with fixing system. Price for 2 Heaters. 3 pkg. - wt. 9,5 kgs - vol. 0,078 m ³	
GRISCO01300	KIT 2 RISCALDAT H9 2200W-STAFFA PANTOGRAFO-FIM X FLEXY ZEN	1.428
	HEATERS FOR FLEXY ZEN WITH REMOTE CONTROL Heaters with connection ON/OFF by remote control, power regulation, silver colour, voltage 220V, power 2000W, protection rating IPX5. Heating area for each heater: ~ 20/25 m ² - 215/269 ft ² . Set made of 2 heaters. Supplied with fixing system. Price for 2 Heaters. 3 pkg. - wt. 12 kgs - vol. 0,078 m ³	
GRISCO01400	KIT 2 RISCALDAT H9 2000W-BLUETOOTH-STAF PANT-FIM X FLEXY ZEN	2.488

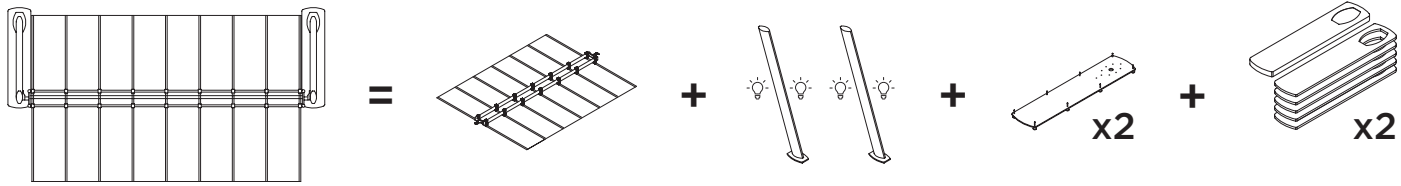
CODE	DESCRIPTION	UNIT PRICE IN €
	<p>SQUARE POT Square powder coated aluminum pot in linen color. Size 41x41x32 cm. It can be used as decoration or stowing box on Flexy Zen bases. Price for 1 pot. 1 pkg. - wt. 4,5 kgs - vol. 0,07 m³</p>	
PVSZD000200	VASO ZED 41X41 COLORE LINO	673
	<p>TOP FOR SQUARE POT Top made of HPL in color Rock Beige Boiaccia. Size 43x43x1 cm. It can be used as a closure top for the square pot, as additional seat or top for the stowing box (waterproof). Price for 1 top. 1 pkg. - wt. 3,5 kgs - vol. 0,006 m³</p>	
PVSZD000400	COPERCHIO VASO 43X43	286
	<p>RECTANGULAR VASE Rectangular powder coated aluminum vase in linen color. Size 41x100x32 cm. It can be used also as decoration or stowing box on Flexy Zen bases. Price for 1 vase. 1 pkg. - wt. 10 kgs - vol. 0,165 m³</p>	
PVSZD000100	VASO ZED 41X100 COLORE LINO	977
	<p>TOP FOR RECTANGULAR VASE Top made of HPL in color Rock Beige Boiaccia. Size 43x102x1 cm. It can be used as a closure top for the square pot, as additional seat or top for the stowing box (waterproof). Price for 1 top. 1 pkg. - wt. 8 kgs - vol. 0,014 m³</p>	
PVSZD000300	COPERCHIO VASO 43X102	518

EXAMPLES FOR CORRECT COMPOSITION / PRICING

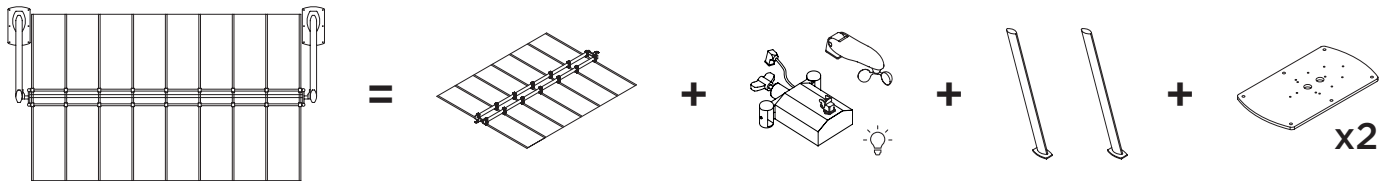
Manual opening with ground insert bases



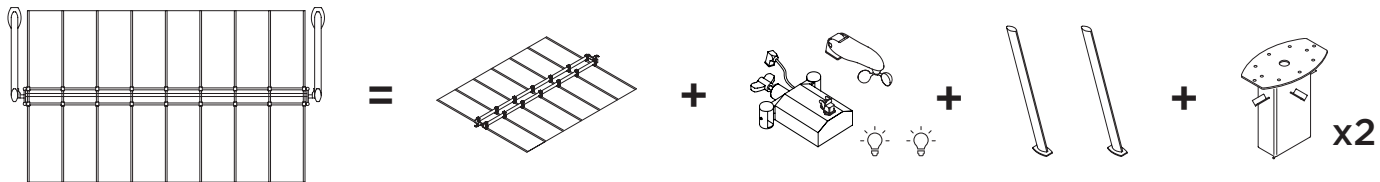
Manual opening with double LED and freestanding bases



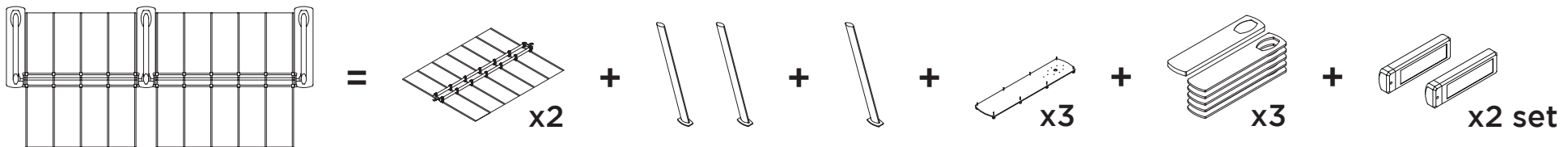
Motorized opening single LED and surface mount plates



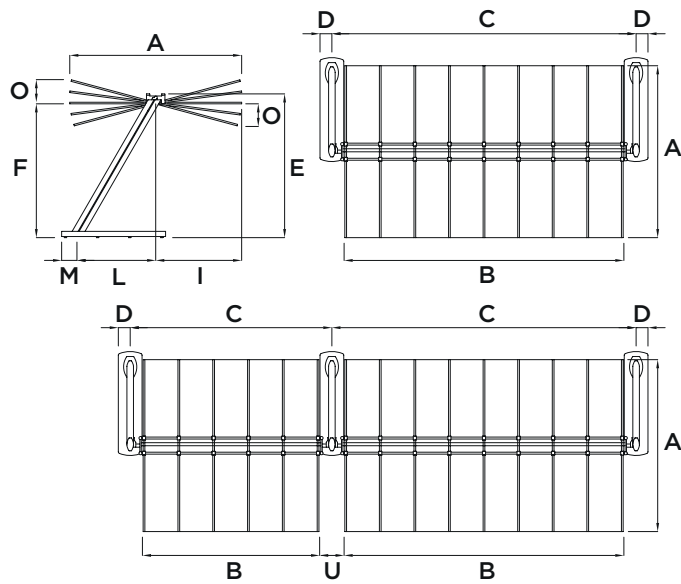
Motorized opening double LED and ground insert bases



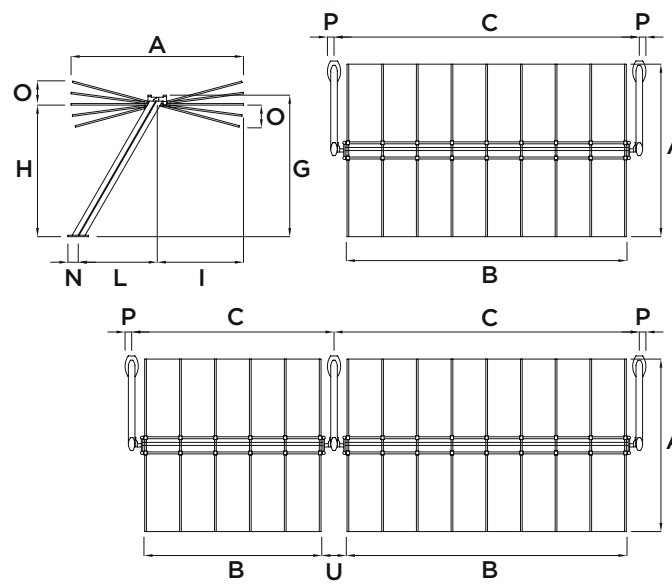
Modular version: manual opening with freestanding bases and heaters



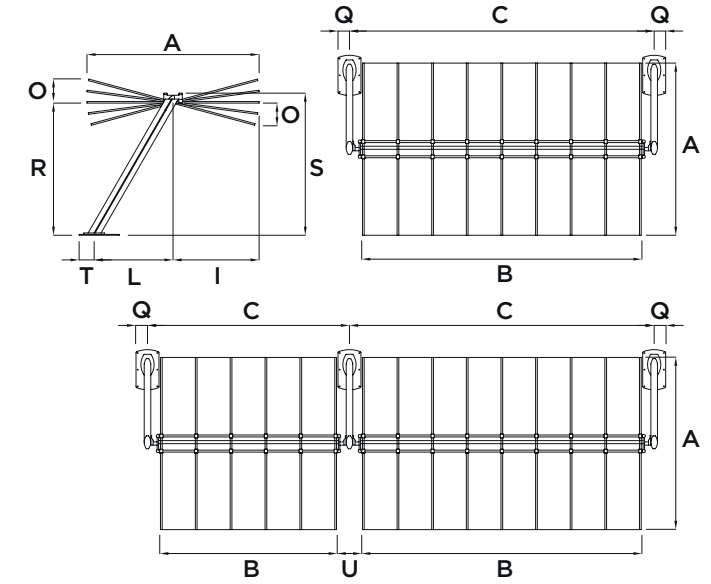
FLEXY ZEN - FREESTANDING BASE
GBASE005400



FLEXY ZEN - GROUND INSERT BASE
GBASE005700



FLEXY ZEN - SURFACE MOUNT PLATE
PPIAS013000



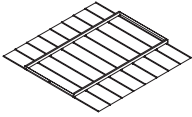
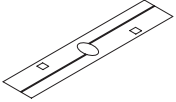
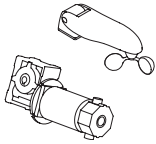


FLEXY ZEN MEASURES

SIZE (cm)	A	B	C	D	E	F	G	H	I	L	M	N	O*	P	Q	R	S	T	U
300X488	300	488	531	20,5	251	234	246	229	150	137	27	18	40	11,5	20	230	248	26	43
300X428	300	428	471	20,5	251	234	246	229	150	137	27	18	40	11,5	20	230	248	26	43
300X369	300	369	412	20,5	251	234	246	229	150	137	27	18	40	11,5	20	230	248	26	43
300X309	300	309	352	20,5	251	234	246	229	150	137	27	18	40	11,5	20	230	248	26	43
300X249	300	249	292	20,5	251	234	246	229	150	137	27	18	40	11,5	20	230	248	26	43
250X488	250	488	531	20,5	251	234	246	229	125	137	27	18	33	11,5	20	230	248	26	43
250X428	250	428	471	20,5	251	234	246	229	125	137	27	18	33	11,5	20	230	248	26	43
250X369	250	369	412	20,5	251	234	246	229	125	137	27	18	33	11,5	20	230	248	26	43
250X309	250	309	352	20,5	251	234	246	229	125	137	27	18	33	11,5	20	230	248	26	43
250X249	250	249	292	20,5	251	234	246	229	125	137	27	18	33	11,5	20	230	248	26	43

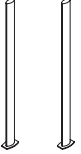
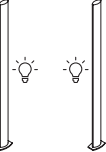
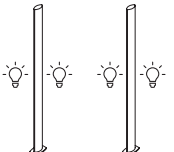

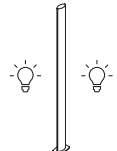
*approximate measures corresponding to two clicks of 7.5 degrees of inclination each (15 degrees in total).

Freestanding awnings with a modern and clean design which allow to cover large areas without any central obstruction. FLEXY LARGE has a gray-anodic powder coated aluminum frame. Support poles with elliptical cross section and anodized finish that can integrate an LED lighting system. The canopy is made of independent fabric sections that allow easy replacement, it provides protection against normal rain, and as option can be completely waterproof (only Airfim). The wide canopy can be easily closed with a simple crank mechanism and can be tilted to provide optimum shade at any time. The sliding awning is available in 8 different dimensions. The system allows to have one or more modules, eventually composed of canopies of different length. In this case a pair of side-posts is needed and for each further module a central twin-post. FLEXY LARGE can be supplied with freestanding base and dedicated ballasts, with steel ground insert base or surface mount plate.

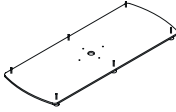
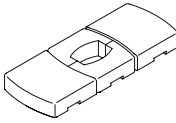
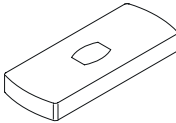
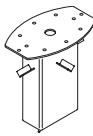
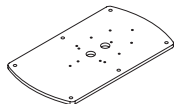
FLEXY LARGE COVERS

CODE	DESCRIPTION	UNIT PRICE IN €			
		Acrylic ecru A00	Solution dyed Acrylic	Micro-mesh	Airfim
	FLEXY LARGE COVER The canopy can be tilted to provide optimal shade at any time. Simple operation with crank mechanism. Supplied with double crossbars to guarantee maximum stability. Cover without valances. Protection cover in grey Airfim fabric included. Bases and poles are sold separately. 4 pkg. - wt. 150 kgs - vol. 1 m ³	(without valances)	(without valances)	(without valances)	(without valances)
GTFLE004200	GRUPPO TENDA FLEXY LARGE 400X608	8.153	8.848	8.848	8.460
GTFLE004300	GRUPPO TENDA FLEXY LARGE 400X548	7.699	8.335	8.335	7.968
GTFLE004400	GRUPPO TENDA FLEXY LARGE 400X488	7.245	7.819	7.819	7.476
GTFLE004500	GRUPPO TENDA FLEXY LARGE 400X428	6.791	7.304	7.304	6.984
GTFLE004600	GRUPPO TENDA FLEXY LARGE 350X608	7.898	8.562	8.562	8.221
GTFLE004700	GRUPPO TENDA FLEXY LARGE 350X548	7.455	8.070	8.070	7.751
GTFLE004800	GRUPPO TENDA FLEXY LARGE 350X488	7.014	7.578	7.578	7.282
GTFLE004900	GRUPPO TENDA FLEXY LARGE 350X428	6.571	7.084	7.084	6.812
EXTRA PRICE FOR SOLUTION DYED ACRYLIC FABRIC SPECIAL COLOR			+ 12%		
	FLEXY LARGE GUTTER To join several Flexy Large aside each other. Supplied with 2 valances and zip. Suitable only for modules. 1 pkg. - wt. 1 kgs - vol. 0,005 m ³	Acrylic ecru A00	Solution dyed Acrylic	Micro-mesh	Airfim
GCN..002100	GRUPPO CANALINA VOLANT FLEXY LARGE 400	351	351	351	351
GCN..002000	GRUPPO CANALINA VOLANT FLEXY LARGE 350	308	308	308	308
	ELECTRIC MOTOR FOR OPENING AND CLOSING WITH WIND-CONTROL, LED LIGHT, DIMMER AND REMOTE CONTROL Electric motor 24 V with anemometer for automatic closing, dimmable lighting and remote control. Side poles are equipped with lighting system consisting of integrated LED stripes on the inner side (single LED) or on both sides (double LED) of each pole. Standard motor position and closing of the awning; front view on the left. System delivered with transformer (in: 220-110 V / out: 24 V) and without electric plug. Power line on the left pole.				
	ELECTRIC MOTOR SINGLE LED	3.866			
	ELECTRIC MOTOR DOUBLE LED	5.486			

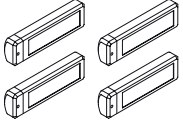
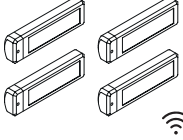
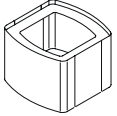

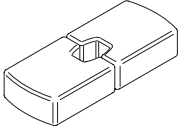
FLEXY LARGE POSTS

CODE	DESCRIPTION	UNIT PRICE IN €
	<p>FLEXY LARGE SIDE-POSTS</p> <p>Elliptical side poles (left and right) made of powder coated aluminum in gray-anodic color. Two bases are required. Price for 2 poles (left and right). 2 pkg. - wt. 48 kgs - vol. 0,525 m³</p>	
GPALT002100	GRUPPO PALI LATERALI FLEXY LARGE	3.941
	<p>FLEXY LARGE SIDE-POSTS WITH SINGLE LED LIGHTING</p> <p>Elliptical side poles (left and right) made of powder coated aluminum in gray-anodic color. Lighting system 24 V consisting of a LED stripe, integrated only on the inner side of each pole. Remote control for dimmable lighting. System delivered with transformer (in: 220-110 V / out: 24 V) and without electric plug. Power line on the left pole. Two bases are required. Price for 2 poles (left and right). 2 pkg. - wt. 50 kgs - vol. 0,525 m³</p>	
GPALT002200	GRUPPO PALI LATERALI CON LUCI FLEXY LARGE	5.561
	<p>FLEXY LARGE SIDE-POSTS WITH DOUBLE LED LIGHTING</p> <p>Elliptical side poles (left and right) made of powder coated aluminum in gray-anodic color. Lighting system 24 V consisting of 2 LED stripes, integrated on both sides of each pole. Remote control for dimmable lighting. System delivered with transformer (in: 220-110 V / out: 24 V) and without electric plug. Power line on the left pole. Two bases are required. Price for 2 poles (left and right). 2 pkg. - wt. 52 kgs - vol. 0,525 m³</p>	
GPALT003200	GRUPPO PALI LATERALI CON DOPPIA LUCE FLEXY LARGE	7.181
	<p>FLEXY LARGE CENTRAL TWIN-POST</p> <p>Elliptical central pole made of powder coated aluminum in gray-anodic color. Needed as connection for two awnings. One base is required. Price for 1 pole (central). 1 pkg. - wt. 25,5 kgs - vol. 0,262 m³</p>	
GPADT001400	GRUPPO PALO DOPPIO FLEXY LARGE	2.846
	<p>FLEXY LARGE CENTRAL TWIN-POST WITH LED LIGHTING</p> <p>Elliptical central pole made of powder coated aluminum in gray-anodic color. Needed as connection for two awnings. Lighting system 24 V consisting of 2 LED stripes, integrated on both sides of the pole. Remote control for dimmable lighting. System delivered with transformer (in: 220-110 V / out: 24 V) and without electric plug. One base is required. Price for 1 pole (central). 1 pkg. - wt. 27 kgs - vol. 0,262 m³</p>	
GPADT001500	GRUPPO PALO DOPPIO CON LUCI FLEXY LARGE	4.466
RCART000030	SPECIAL COLOR RAL (only RAL color chart)	ON REQUEST

FLEXY LARGE BASES

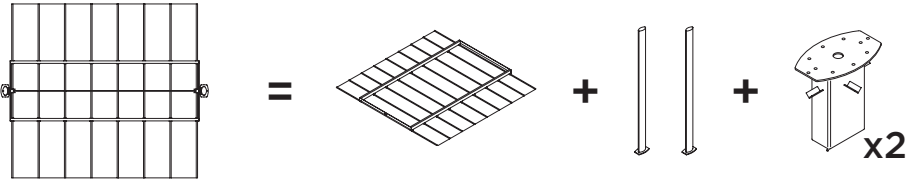
CODE	DESCRIPTION	UNIT PRICE IN €
	<p>FLEXY LARGE FREESTANDING BASE Hot dip galvanized steel base with adjustable feet. Requires dedicated concrete ballast GZAVO000500. For complete measures see the end of the price-list. Price for 1 base. 1 pkg. - wt. 71 kgs - vol. 0,09 m³</p>	
GBASE005600	GRUPPO BASE FE 1400X550 SP12 FLEXY LARGE	906
	<p>FLEXY LARGE CONCRETE BALLASTS Group of 4 concrete ballasts required for only one base GBASE005600. For complete measures see the end of the price-list. Price for one complete group. 1 pkg. - wt. 220 kgs - vol. 0,235 m³</p>	
GZAVO000500	GRUPPO ZAVORRA CEMENTO FLEXY LARGE	1.027
	<p>FLEXY LARGE COVER BASE Powder coated aluminum cover in gray-anodic color. Only for Flexy Large freestanding base with concrete ballasts. Price for 1 cover. 1 pkg. - wt. 8 kgs - vol. 0,13 m³</p>	
PCART004000#	COPERTURA ALU BASE FLEXY LARGE	554
	<p>FLEXY LARGE GROUND INSERT BASE Galvanized steel ground insert base including hardware. Top-plate in gray-anodic color. For complete measures see the end of the price-list. Price for 1 base. 1 pkg. - wt. 9,8 kgs - vol. 0,048 m³</p>	
GBASE005700	GRUPPO BASE STYLO FLEXY ZEN-LARGE	381
	<p>FLEXY LARGE SURFACE MOUNT PLATE Painted galvanized steel plate 70x40 cm, thickness 1,5 cm. It must be fixed to the ground by 6 chemical anchors (not supplied). For complete measures see the end of the price-list. Price for 1 base. 1 pkg. - wt. 34 kgs - vol. 0,049 m³</p>	
PPIAS013000	BASE GROUND 700X400 SP 15 FLEXY ZEN-LARGE	588

FLEXY LARGE ACCESSORIES

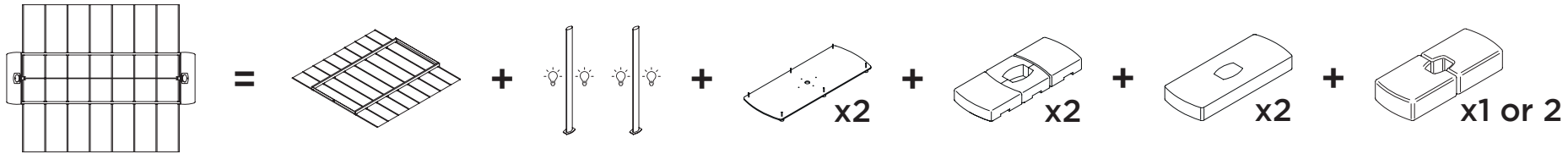
CODE	DESCRIPTION	UNIT PRICE IN €
	<p>HEATERS FOR FLEXY LARGE</p> <p>Heaters with direct connection ON/OFF by plug in, silver color, voltage 220V, power 2200W, protection rating IPX5. Heating area for each heater: ~ 20/25 m² - 215/269 ft². Set made of 4 heaters. Supplied with fixing system. Price for 4 Heaters. 9 pkg. - wt. 29 kgs - vol. 0,172 m³</p>	
GRISC001700	KIT 4 RISCALDAT H9 2200W-STAFFA PANTOGRAFO-FIM X FLEXY LARGE	3.659
	<p>HEATERS FOR FLEXY LARGE WITH REMOTE CONTROL</p> <p>Heaters with connection ON/OFF by remote control, power regulation, silver color, voltage 220V, power 2000W, protection rating IPX5. Heating area for each heater: ~ 20/25 m² - 215/269 ft². Set made of 4 heaters. Supplied with fixing system. Price for 4 Heaters. 9 pkg. - wt. 33,8 kgs - vol. 0,172 m³</p>	
GRISC001800	KIT 4 RISCALDAT H9 2000W-BLUETOOTH-STAF PANT-FIM-FLEXY LARGE	5.776
	<p>SQUARE POT</p> <p>Square powder coated aluminum pot in linen color. Size 41x41x32 cm. It can be used as a decoration or stowing box on Flexy Large bases. Price for 1 pot. 1 pkg. - wt. 4,5 kgs - vol. 0,07 m³</p>	
PVSZD000200	VASO ZED 41X41 COLORE LINO	673
	<p>TOP FOR SQUARE POT</p> <p>Top made of HPL in color Rock Beige Boiaccia. Size 43x43x1 cm. It can be used as a closure top for the square pot, as additional seat or top for the stowing box (waterproof). Price for 1 top. 1 pkg. - wt. 3,5 kgs - vol. 0,006 m³</p>	
PVSZD000400	COPERCHIO VASO 43X43	286
	<p>CUSHION FOR FLEXY LARGE BASE</p> <p>Set of 2 high density half-cushions for just one Flexy Large base, height 25 cm (10 inches), covered in water-repellent Sunbrella fabric color Shingles S16. Cushions supplied with anti-slip ecoleather in the lower part. Fixing belts with buttons. Price for 1 complete cushion. 1 pkg. - wt. 5,5 kgs - vol. 0,226 m³</p>	
PCUSC000100	CUSCINO BASE FLEXY LARGE	696

EXAMPLES FOR CORRECT COMPOSITION / PRICING

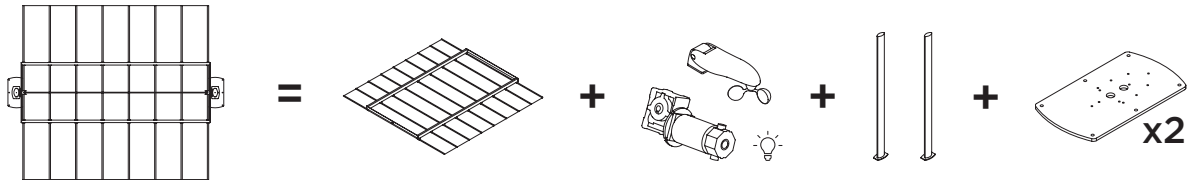
Manual opening and ground insert bases



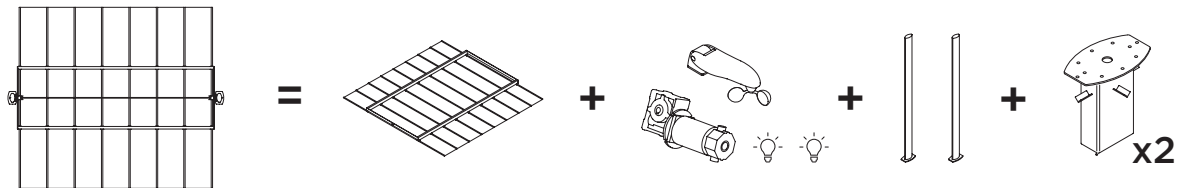
Manual opening with double LED, freestanding bases and cushion/s



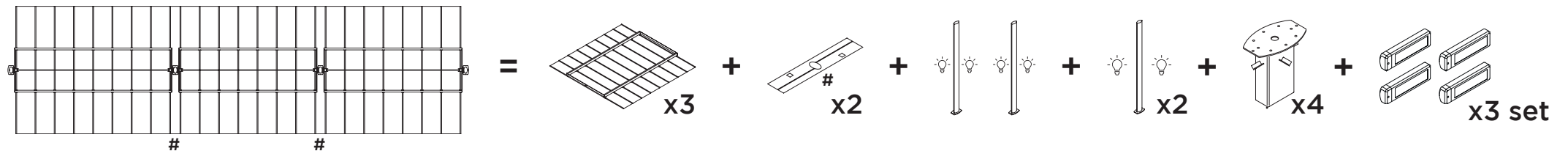
Motorized opening single LED and surface mount plates



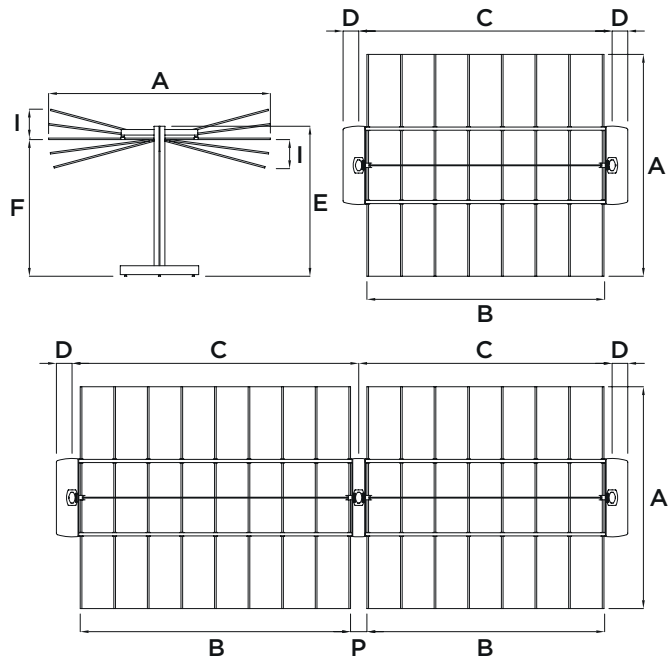
Motorized opening double LED and ground insert bases



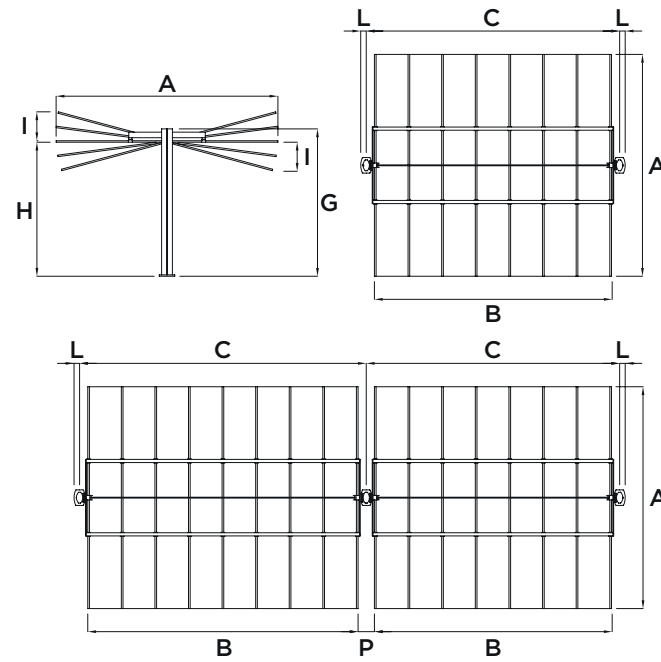
Modular version: manual opening, gutters, double LED, ground insert bases and heaters



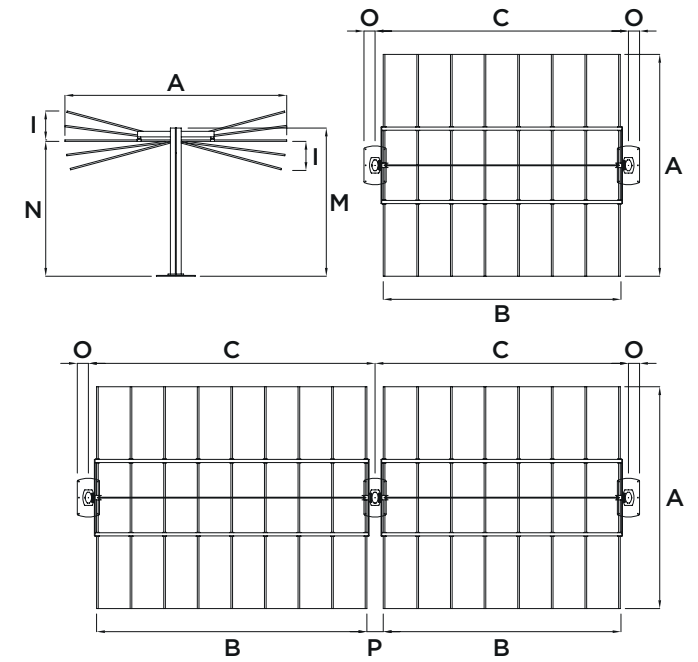
FLEXY LARGE - FREESTANDING BASE
GBASE005600



FLEXY LARGE - GROUND INSERT BASE
GBASE005700



FLEXY LARGE - SURFACE MOUNT PLATE
PPIAS013000

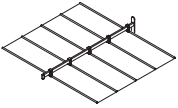
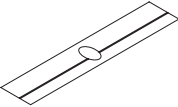
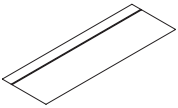


FLEXY LARGE MEASURES														
SIZE (cm)	A	B	C	D	E	F	G	H	I*	L	M	N	O	P
400X608	400	608	637	28	270	246	266	242	50	10	267	243	20	29
400X548	400	548	577	28	270	246	266	242	50	10	267	243	20	29
400X488	400	488	517	28	270	246	266	242	50	10	267	243	20	29
400X428	400	428	457	28	270	246	266	242	50	10	267	243	20	29
350X608	350	608	637	28	270	246	266	242	42	10	267	243	20	29
350X548	350	548	577	28	270	246	266	242	42	10	267	243	20	29
350X488	350	488	517	28	270	246	266	242	42	10	267	243	20	29
350X428	350	428	457	28	270	246	266	242	42	10	267	243	20	29



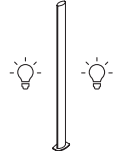
* approximate measures corresponding to two clicks of 7.5 degrees of inclination each (15 degrees in total).
Tiltable in five different positions (-15 / -7.5 / 0 / +7.5 / +15).

Shading system that involves the use of one or two covers with a single pole. Easy opening with pulley system; ability to tilt independently each canopy. FLEXY TWIN has a gray-anodic powder coated aluminum structure. The canopy is made of independent sections that allow easy replacement. It provides protection against normal rain and can be completely waterproof (only Airfim). FLEXY TWIN can be supplied with freestanding base and dedicated ballasts, with steel ground insert base or surface mount plate.

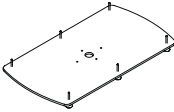
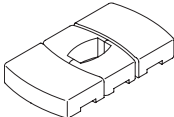
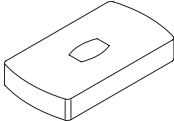
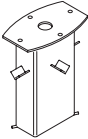
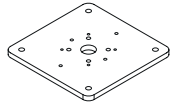
FLEXY TWIN COVERS

CODE	DESCRIPTION	UNIT PRICE IN €			
	<p>FLEXY TWIN COVER</p> <p>The canopy can be easily closed with a simple pulley mechanism and can be tilted to provide optimum shade at any time. Cover without valances. Protection cover in grey Airfim fabric included. Bases and poles are sold separately. Price for 1 cover. 2 pkg. - wt. 18 kgs - vol. 0,232 m³</p>	Acrylic ecru A00 (without valances)	Solution dyed Acrylic (without valances)	Micro-mesh (without valances)	Airfim (without valances)
GTFLE004000	GRUPPO TENDA FLEXY TWIN 250X240	2.704	2.880	2.880	2.730
GTFLE004100	GRUPPO TENDA FLEXY TWIN 250X180	2.505	2.636	2.636	2.523
	EXTRA PRICE FOR SOLUTION DYED ACRYLIC FABRIC SPECIAL COLOR		+ 16%		
	<p>FLEXY TWIN CENTRAL GUTTER WITH ZIP</p> <p>Gutter with zip to connect two canopies at the pole. Insertion of the gutter in the expected grooves. Only for central junction. 1 pkg. - wt. 1 kgs - vol. 0,005 m³</p>	Acrylic ecru A00	Solution dyed Acrylic	Micro-mesh	Airfim
GCN..001500	GRUPPO CANALINA FLEXY TWIN	220	220	220	220
	EXTRA PRICE FOR SOLUTION DYED ACRYLIC FABRIC SPECIAL COLOR		+ 100%		
	<p>FLEXY TWIN JUNCTION GUTTER WITH ZIP</p> <p>To join several Flexy Twin aside each other. Length 60 cm. Insertion of the gutter in the provided grooves. Suitable only for modules. 1 pkg. - wt. 1 kgs - vol. 0,005 m³</p>	Acrylic ecru A00	Solution dyed Acrylic	Micro-mesh	Airfim
GCN..001900	GRUPPO CANALINA UNIONE FLEXY TWIN C/CERNIERA	220	220	220	220
	EXTRA PRICE FOR SOLUTION DYED ACRYLIC FABRIC SPECIAL COLOR		+ 100%		

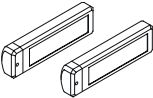
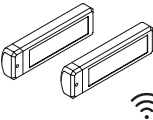
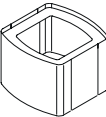
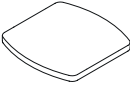
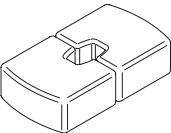
FLEXY TWIN POSTS

CODE	DESCRIPTION	UNIT PRICE IN €
	<p>FLEXY TWIN POST</p> <p>Powder coated elliptical aluminum pole in gray-anodic color. It can support one or two covers. Only one base is required. 1 pkg. - wt. 21 kgs - vol. 0,169 m³</p>	
GPALT001200	GRUPPO PALO FLEXY TWIN ANODIC	923
	<p>FLEXY TWIN POST WITH SINGLE LED LIGHTING</p> <p>Powder coated elliptical aluminum pole in gray-anodic color. It can support one or two covers. Lighting system 24 V consisting of 1 LED stripe, integrated only on one side of the pole, remote control for dimmable lighting. System delivered with transformer (in: 220-110 V / out: 24 V) and without electric plug. Only one base is required. 1 pkg. - wt. 23,5 kg - vol. 0,169 m³</p>	
GPALT001300	GRUPPO PALO FLEXY TWIN CON SINGOLA LUCE ANODIC	2.187
	<p>FLEXY TWIN POST WITH DOUBLE LED LIGHTING</p> <p>Powder coated elliptical aluminum pole in gray-anodic color. It can support one or two covers. Lighting system 24 V consisting of 2 LED stripes, integrated on both sides of the pole, remote control for dimmable lighting. System delivered with transformer (in: 220-110 V / out: 24 V) and without electric plug. Only one base is required. 1 pkg. - wt. 24 kg - vol. 0,169 m³</p>	
GPALT001400	GRUPPO PALO FLEXY TWIN CON DOPPIA LUCE ANODIC	2.489
RCART000030	SPECIAL COLOR RAL (only RAL color chart)	ON REQUEST

FLEXY TWIN BASES

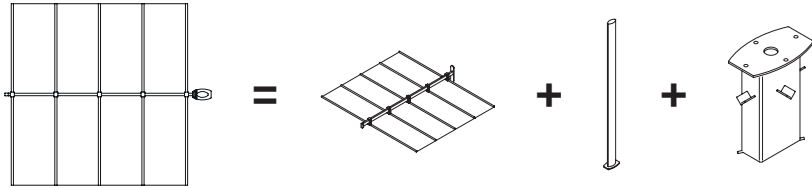
CODE	DESCRIPTION	UNIT PRICE IN €
	<p>FLEXY TWIN FREESTANDING BASE</p> <p>Hot dip galvanized steel base with adjustable feet. Requires dedicated concrete ballast GZAVO000200. For complete measures see the end of the price-list. Price for 1 base. 1 pkg. - wt. 56 kgs - vol. 0,07 m³</p>	
GBASE004000	GRUPPO BASE FE 550X1000 SP 12 FLEXY TWIN	758
	<p>FLEXY TWIN CONCRETE BALLASTS</p> <p>Group of 4 concrete ballasts required for only one base GBASE004000. For complete measures see the end of the price-list. Price for a complete group. 1 pkg. - wt. 141 kgs - vol. 0,168 m³</p>	
GZAVO000200	GRUPPO ZAVORRA CEMENTO FLEXY TWIN	872
	<p>FLEXY TWIN COVER BASE</p> <p>Powder coated aluminum cover in gray-anodic color. Only for Flexy Twin freestanding base with concrete ballasts. Price for 1 cover. 1 pkg. - wt. 7 kgs - vol. 0,11 m³</p>	
PCART003800	COPERTURA ALU BASE FLEXY TWIN ANODIC	599
	<p>FLEXY TWIN GROUND INSERT BASE</p> <p>Galvanized steel ground insert base including hardware. Top-plate in gray-anodic color. For complete measures see the end of the price-list. Price for 1 base. 1 pkg. - wt. 5,8 kgs - vol. 0,028 m³</p>	
GBASE003900	GRUPPO BASE STYLO FLEXY TWIN	291
	<p>FLEXY TWIN SURFACE MOUNT PLATE</p> <p>Painted galvanized steel plate 30x30 cm, thickness 1,5 cm. It must be fixed to the ground by 4 chemical anchors (not supplied). For complete measures see the end of the price-list. Price for 1 base. 1 pkg. - wt. 11,2 kgs - vol. 0,014 m³</p>	
PPIAS011100	BASE GROUND 300X300 SP 15 FISSAGGIO SUOLO	442

FLEXY TWIN ACCESSORIES

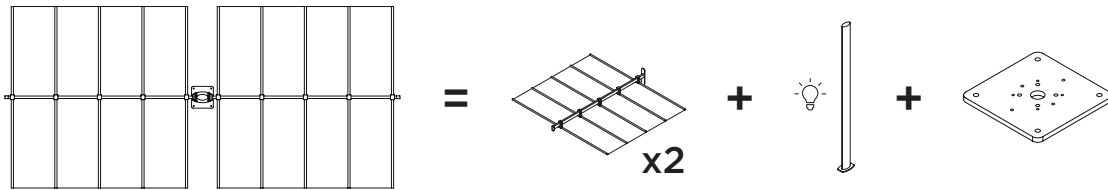
CODE	DESCRIPTION	UNIT PRICE IN €
	<p>HEATERS FOR FLEXY TWIN</p> <p>Heaters with direct connection ON/OFF by plug in, silver colour, voltage 220V, power 2200W, protection rating IPX5. Heating area for each heater: ~ 20/25 m² - 215/269 ft². Set made of 2 heaters. Supplied with fixing system. Price for 2 Heaters. 5 pkg. - wt. 11,7 kgs - vol. 0,085 m³</p>	
GRISC001500	KIT 2 RISCALDAT H9 2200W-STAFFA PANTOGRAFO-FIM X FLEXY TWIN	1.830
	<p>HEATERS FOR FLEXY TWIN WITH REMOTE CONTROL</p> <p>Heaters with connection ON/OFF by remote control, power regulation, silver colour, voltage 220V, power 2000W, protection rating IPX5. Heating area for each heater: ~ 20/25 m² - 215/269 ft². Set made of 2 heaters. Supplied with fixing system. Price for 2 Heaters. 5 pkg. - wt. 14,1 kgs - vol. 0,085 m³</p>	
GRISC001600	KIT 2 RISCALDAT H9 2000W-BLUETOOTH-STAF PANT-FIM X FLEXY TWIN	2.888
	<p>SQUARE POT</p> <p>Square powder coated aluminum pot in linen color. Size 41x41x32 cm. It can be used as a decoration or stowing box on Flexy Twin bases. Price for 1 pot. 1 pkg. - wt. 4,5 kgs - vol. 0,07 m³</p>	
PVSZD000200#	VASO ZED 41X41 COLORE LINO	673
	<p>TOP FOR SQUARE POT</p> <p>Top made of HPL in color Rock Beige Boiaccia. Size 43x43x1 cm. It can be used as a closure top for the square pot, as additional seat or top for the stowing box (waterproof). Price for 1 top. 1 pkg. - wt. 3,5 kgs - vol. 0,006 m³</p>	
PVSZD000400	COPERCHIO VASO 43X43	286
	<p>CUSHION FOR FLEXY TWIN BASE</p> <p>Set of 2 high density half-cushions for just one Flexy Twin base, height 25 cm (10 inches), covered in water-repellent Sunbrella fabric color Shingles S16. Cushions supplied with anti-slip ecoleather in the lower part. Fixing belts with buttons. Price for 1 complete cushion. 1 pkg. - wt. 4 kgs - vol. 0,163 m³</p>	
PCUSC000200	CUSCINO BASE FLEXY TWIN	591

EXAMPLES FOR CORRECT COMPOSITION / PRICING

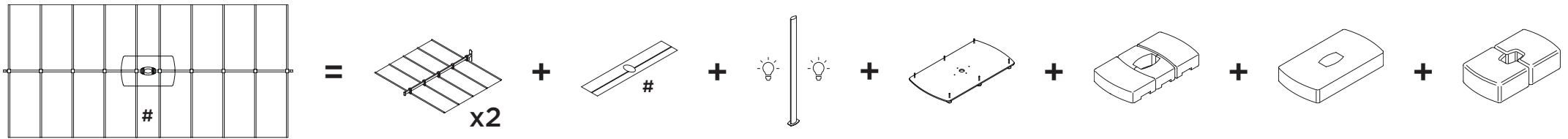
Single tent with ground insert base



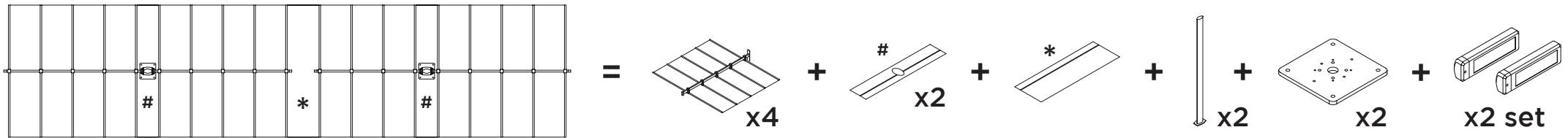
Double tent with single LED and surface mount plate



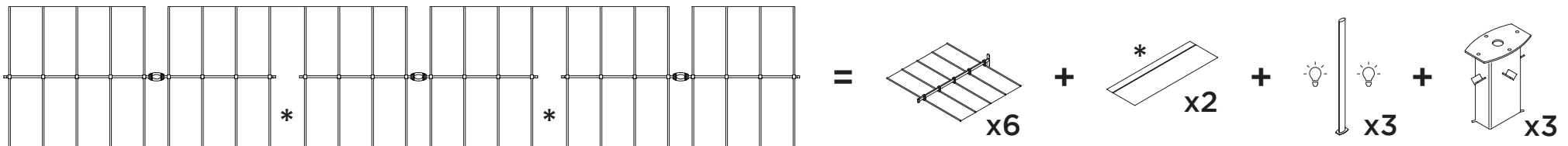
Double tent with central gutter, double LED, freestanding base, cover and cushion



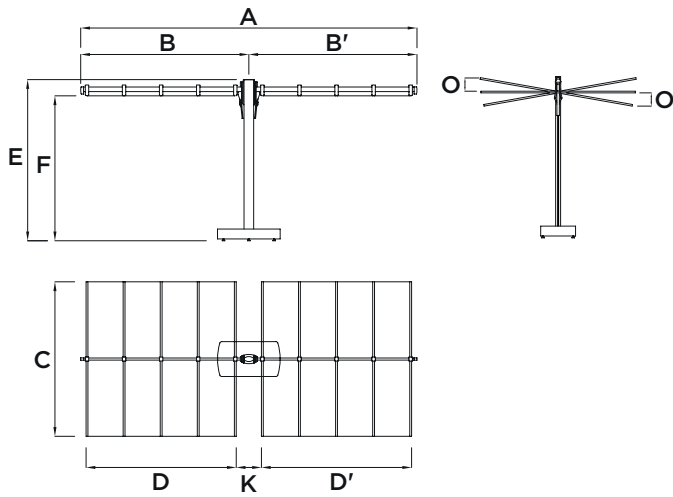
Modular version: double tent with central gutter, junction gutter, surface mount plates and heaters



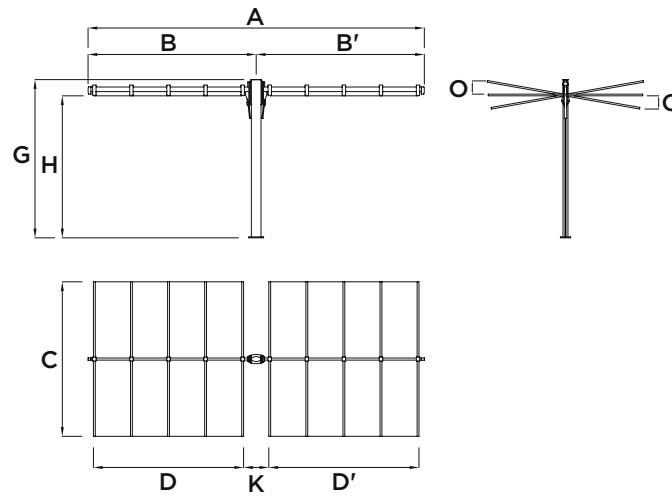
Modular version: double tents, junction gutter, double LED and ground insert bases



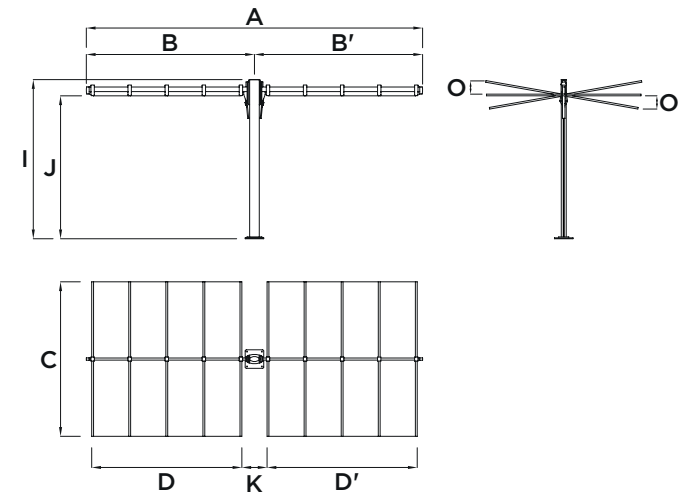
DOUBLE TENT FLEXY TWIN - FREESTANDING BASE
GBASE004000



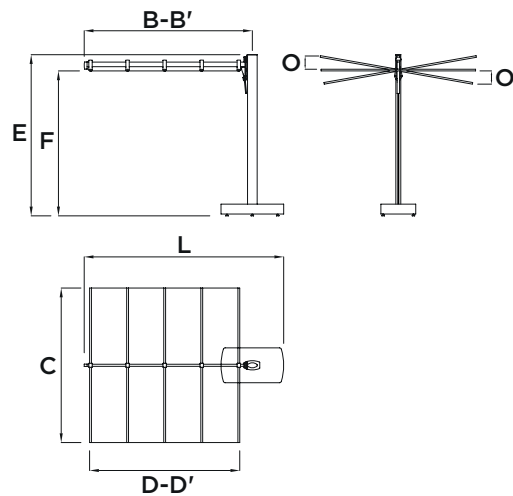
DOUBLE TENT FLEXY TWIN - GROUND INSERT BASE
GBASE003900



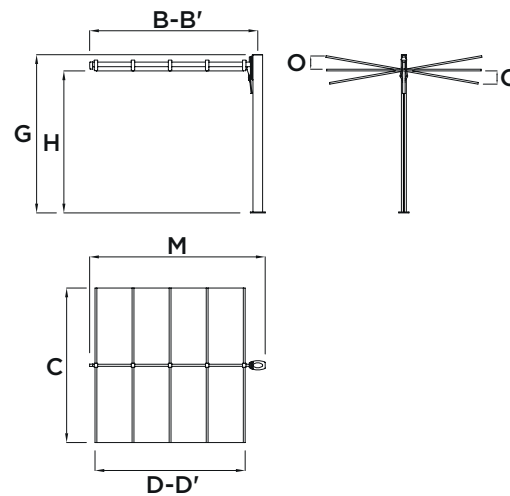
DOUBLE TENT FLEXY TWIN - SURFACE MOUNT PLATE
PPIAS011100



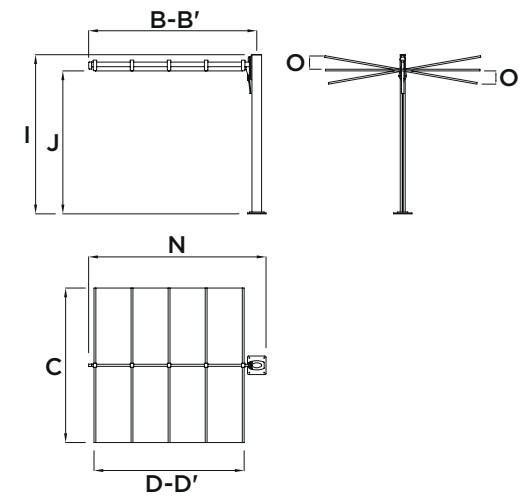
SINGLE TENT FLEXY TWIN - FREESTANDING BASE
GBASE004000



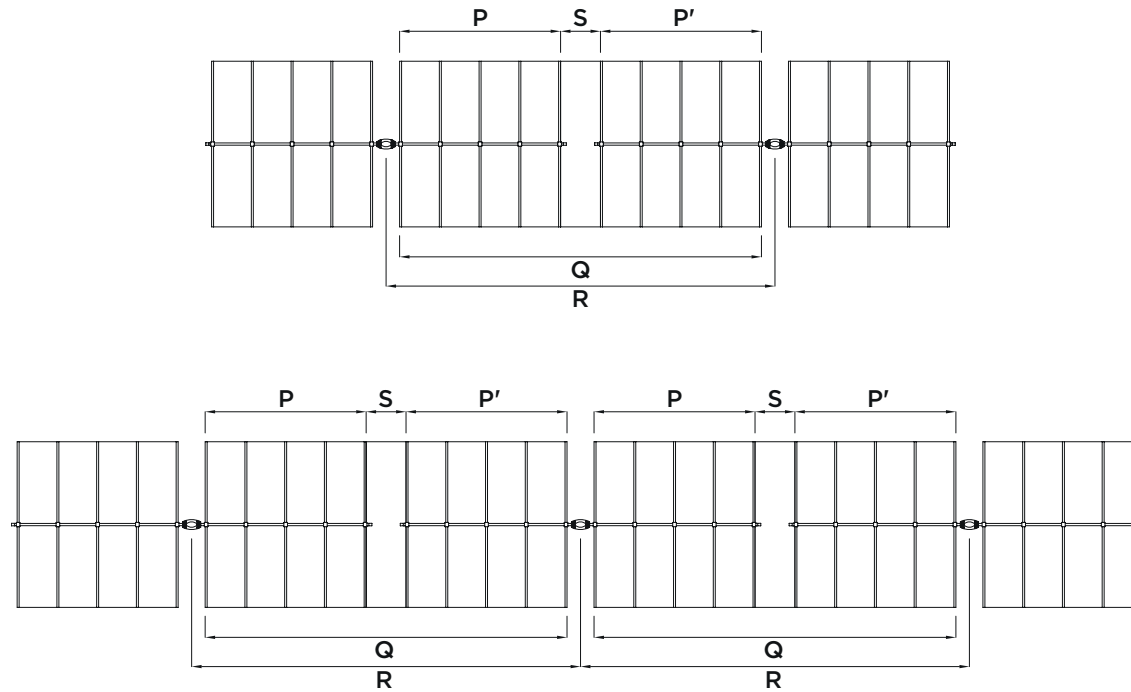
SINGLE TENT FLEXY TWIN - GROUND INSERT BASE
GBASE003900



SINGLE TENT FLEXY TWIN - SURFACE MOUNT PLATE
PPIAS011100



MODULAR FLEXY TWIN



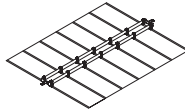
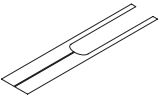
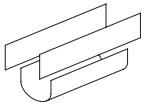
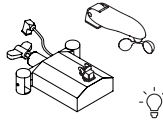
FLEXY TWIN MEASURES																	
SIZE (cm)	A	B	B'	C	D	D'	E	F	G	H	I	J	K	L	M	N	O*
250x546	544	272	272	250	243	243	261	235	256	230	258	232	41				22
250X486	484	212	272	250	183	243	261	235	256	230	258	232	41				22
250X426	424	212	212	250	183	183	261	235	256	230	258	232	41				22
250X273		272	272	250	243	243	261	235	256	230	258	232	41	322	287	284	22
250X213		212	212	250	183	183	261	235	256	230	258	232	41	262	227	224	22

MODULAR FLEXY TWIN					
SIZE (cm)	P	P'	Q	R	S
CASE 1	243	243	546	587	60
CASE 2	243	183	486	527	60
CASE 3	183	183	426	467	60

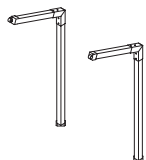
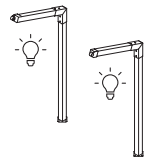
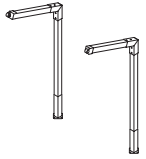
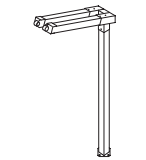
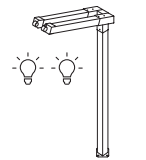
* approximate measures corresponding to one click of 10 degrees of inclination.
Tiltable in three different positions (-10 / 0 / +10).

Freestanding awnings in modular construction which allow to cover big areas without any central obstacle. FLEXY has a teak or aluminum structure in silver, white or graphite color. A canopy is made of independent fabric sections that allows easy replacement. The wide canopy can be easily closed with a simple crank mechanism and can be tilted to provide optimum shade at any time. The sliding awning is available in 10 different dimensions. The system allows to have one or more modules, eventually composed of canopies of different length. In this case a pair of side-posts is needed and for each further module, a central twin-post. FLEXY can be supplied with freestanding base with concrete or metal tiles, with steel ground insert base or surface mount plate.

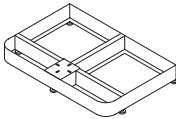
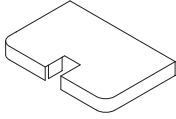
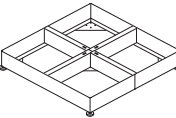
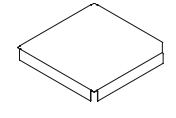

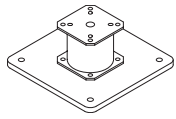
FLEXY COVERS

CODE	DESCRIPTION	UNIT PRICE IN €			
		Acrylic ecru A00 (without valances)	Solution dyed Acrylic (without valances)	Micro-mesh (without valances)	Airfim (without valances)
	FLEXY COVER The canopy can be tilted to provide optimal shade at any time. Simple opening and closure with crank mechanism. Supplied with double crossbar to guarantee maximum steadiness. Cover without valances. Protection cover in grey Airfim fabric included. Bases and poles are sold separately. 3 pkg. - wt. 54 kgs - vol. 0,371 m ³				
GTFLE001100	GRUPPO TENDA FLEXY 300X488	3.815	4.245	4.245	4.071
GTFLE001200	GRUPPO TENDA FLEXY 300X428	3.474	3.864	3.864	3.712
GTFLE001300	GRUPPO TENDA FLEXY 300X369	3.243	3.588	3.588	3.466
GTFLE001400	GRUPPO TENDA FLEXY 300X309	2.964	3.253	3.253	3.156
GTFLE001500	GRUPPO TENDA FLEXY 300X249	2.616	2.853	2.853	2.777
GTFLE001600	GRUPPO TENDA FLEXY 250X488	3.618	4.002	4.002	3.866
GTFLE001700	GRUPPO TENDA FLEXY 250X428	3.333	3.671	3.671	3.552
GTFLE001800	GRUPPO TENDA FLEXY 250X369	3.072	3.357	3.357	3.265
GTFLE001900	GRUPPO TENDA FLEXY 250X309	2.780	3.024	3.024	2.953
GTFLE002000	GRUPPO TENDA FLEXY 250X249	2.452	2.652	2.652	2.597
	EXTRA PRICE FOR SOLUTION DYED ACRYLIC FABRIC SPECIAL COLOR		+ 14%		
	FLEXY GUTTER To join several Flexy aside each other. Supplied with 2 valances and zip. Suitable only for modules. 1 pkg. - wt. 1 kgs - vol. 0,005 m ³	Acrylic ecru A00	Solution dyed Acrylic	Micro-mesh	
GCN..002700	GRUPPO CANALINA FLEXY LAMPO 300	210	210	210	
GCN..002800	GRUPPO CANALINA FLEXY LAMPO 250	192	192	192	
	FLEXY RAIN GUTTER To join several Flexy aside each other. Supplied with 2 valances and zip. Available only in Airfim fabric. Suitable only for modules. 1 pkg. - wt. 1 kgs - vol. 0,005 m ³				Airfim
GCNAI000100	GRUPPO CANALINA FLEXY 300 AI				210
GCNAI000200	GRUPPO CANALINA FLEXY 250 AI				192
	ELECTRIC MOTOR FOR OPENING AND CLOSING WITH WIND-CONTROL, LED LIGHT, DIMMER AND REMOTE CONTROL Electric motor 24 V with anemometer for automatic closing, dimmable lighting and remote control. Side poles are equipped with lighting system consisting of 2 LED stripes on the right and left cantilever. Standard motor position and closing of the awning: front view on the left. System delivered with transformer (in: 220-110 V / out: 24 V) and without electric plug. Power line on the left pole.		3.866		

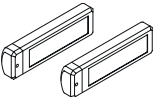
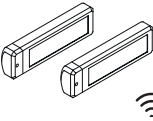
FLEXY POSTS

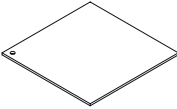
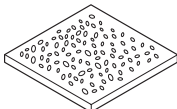
CODE	DESCRIPTION	UNIT PRICE IN €
	<p>FLEXY SIDE-POSTS</p> <p>Side poles (left-right) made of powder coated aluminum in silver color (SILV), graphite (GRAF) or white (BIAN). Two bases are required. Minimum recommended ballast for each pole/base: 250 kg. Price for 2 poles (left-right). 2 pkg. - wt. 24,9 kgs - vol. 0,135 m³</p>	
GPALT000900	GRUPPO PALI LATERALI AL SILV/GRAF/BIAN	1.134
	<p>FLEXY SIDE-POSTS WITH LED LIGHTING</p> <p>Side poles (left-right) made of powder coated aluminum in silver color (SILV), graphite (GRAF) or white (BIAN). Lighting system 24 V consisting of 2 LED stripes (one for each cantilever) and remote control for dimmable lighting. System delivered with transformer (in: 220-110 V / out: 24 V) and without electric plug. Power line on the left pole. Two bases are required. Minimum recommended ballast for each pole/base: 250 kg. Price for 2 poles (left-right). 2 pkg. - wt. 25,9 kgs - vol. 0,135 m³</p>	
GPALT002600	GRUPPO PALI LATERALI CON LUCE AL SILV/GRAF/BIAN	2.754
	<p>FLEXY TEAK SIDE-POSTS</p> <p>Side poles (left-right) made of teak and powder coated aluminum in silver color (SILV). Two bases are required. Minimum recommended ballast for each pole/base: 250 kg. Price for 2 poles (left-right). 2 pkg. - wt. 28 kgs - vol. 0,135 m³</p>	
GPALT000300	GRUPPO PALI LATERALI AL TEAK SILV	1.452
	<p>FLEXY CENTRAL TWIN-POST</p> <p>Twin pole (central) made of powder coated aluminum in silver color (SILV), graphite (GRAF) or white (BIAN). Needed as connection for two awnings. Minimum recommended ballast for each pole/base: 300 kg. One base is required. Price for 1 pole (central). 2 pkg. - wt. 16,7 kgs - vol. 0,109 m³</p>	
GPADT000800	GRUPPO PALO DOPPIO AL SILV/GRAF/BIAN	907
	<p>FLEXY CENTRAL TWIN-POST WITH LED LIGHTING</p> <p>Twin pole (central) made of powder coated aluminum in silver color (SILV), graphite (GRAF) or white (BIAN). Needed as connection for two awnings. Lighting system 24 V consisting of 2 LED stripes (one for each cantilever) and remote control for dimmable lighting. System delivered with transformer (in: 220-110 V / out: 24 V) without electric plug. Minimum recommended ballast for each pole/base: 300 kg. One base is required. Price for 1 pole (central). 2 pkg. - wt. 18,1 kgs - vol. 0,109 m³</p>	
GPADT001600	GRUPPO PALO DOPPIO CON LUCE AL SILV/GRAF/BIAN	2.527
RCART000030	SPECIAL COLOR RAL (only RAL color chart)	ON REQUEST

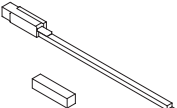
FLEXY BASES

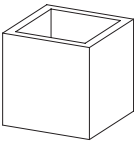
CODE	DESCRIPTION	UNIT PRICE IN €
	<p>FREESTANDING BASE ALU 1</p> <p>Rectangular base made of powder coated aluminum in silver (SILV), graphite (GRAF) or white (BIAN) color, with adjustable feet. Requires 50x50 cm concrete (12 pcs) or iron (12 pcs) tiles. Minimum recommended ballast for each base: 250 kg. For complete measures see the end of the price-list. Price for 1 base. 1 pkg. - wt. 15,3 kgs - vol. 0,132 m³</p>	
GBASE003400	GRUPPO BASE PIASTRA ALU 1 SILV/GRAF/BIAN	656
	<p>BASE COVER ALU 1</p> <p>Cover made of powder coated aluminum in silver (SILV), graphite (GRAF) or white (BIAN) color. For GBASE003400. Price for 1 cover. 1 pkg. - wt. 11 kgs - vol. 0,132 m³</p>	
PCART001301	COPERTURA BASE PIASTRA ALU 1 SILV/GRAF/BIAN	539
	<p>FREESTANDING BASE ALU 4</p> <p>Square base made of powder coated aluminum in silver (SILV), graphite (GRAF) or white (BIAN) color, with adjustable feet. Requires 40x40 cm concrete tiles (16 pcs). Minimum recommended ballast for each base: 250 kg. For complete measures see the end of the price-list. Price for 1 base. 1 pkg. - wt. 13 kgs - vol. 0,135 m³</p>	
GBASE003700	GRUPPO BASE P ALU 4 80x80 SILV/GRAF/BIAN	612
	<p>BASE COVER 40x40</p> <p>Cover made of powder coated aluminum in silver (SILV), graphite (GRAF) or white (BIAN) color. For GBASE003700. 4 pieces are required for each base. Price for 1 cover. 2 pkg. (4 pcs.) - wt. 6 kgs - vol. 0,03 m³</p>	
PCART002300	COPERTURA PER MATTONELLE 409x409 SP60	148
	<p>GROUND INSERT BASE WITH EXTENTION</p> <p>Zinc plated steel ground insert base with extension piece (height 13 cm), in silver (SILV), graphite (GRAF) or white (BIAN) color. Supplied fixing screws. For complete measures see the end of the price-list. Price for 1 base. 1 pkg. - wt. 4,7 kgs - vol. 0,012 m³</p>	
GBASE000900	GRUPPO BASE STYLO UNIV+PR SILV/GRAF/BIAN	239
	<p>SURFACE MOUNT PLATE WITH EXTENTION</p> <p>Galvanized and powder coated steel plate 30x30 cm, thickness 1,5 cm with extension piece (height 13 cm) in silver (SILV), graphite (GRAF) or white (BIAN) color. It must be fixed to the ground by 4 chemical anchors (not supplied). For complete measures see the end of the price-list. Price for 1 base. 2 pkg. - wt. 13,4 kgs - vol. 0,018 m³</p>	
GBASE005800	GRUPPO PIASTRA GROUND 300X300 C/PROLUNGA BASE STYLO	561

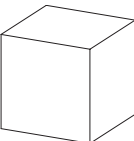
FLEXY ACCESSORIES

CODE	DESCRIPTION	UNIT PRICE IN €
	<p>HEATERS FOR FLEXY</p> <p>Heaters with direct connection ON/OFF by plug in, silver color, voltage 220V, power 2200W, protection rating IPX5. Heating area for each heater: ~ 20/25 m² - 215/269 ft². Set made of 2 heaters. Supplied with fixing system. Price for 2 Heaters. 3 pkg. - wt. 8,5 kgs - vol. 0,073 m³</p>	
GRISCO01100	KIT 2 RISCALDAT H9 2200W-STAFFA PANTOGRAFO-FIM X FLEXY	1.428
	<p>HEATERS FOR FLEXY WITH REMOTE CONTROL</p> <p>Heaters with connection ON/OFF by remote control, power regulation, silver colour, voltage 220V, power 2000W, protection rating IPX5. Heating area for each heater: ~ 20/25 m² - 215/269 ft². Set made of 2 heaters. Supplied with fixing system. Price for 2 Heaters. 3 pkg. - wt. 10,9 kgs - vol. 0,073 m³</p>	
GRISCO01200	KIT 2 RISCALDAT H9 2000W-BLUETOOTH-STAFFA PANT-FIM X FLEXY	2.488

CODE	DESCRIPTION	UNIT PRICE IN €
	<p>STEEL PLATE</p> <p>Zinc plated iron ballast plate. 50x50x1 cm (20 kg) for GBASE003400. Price for 1 iron plate.</p>	
PPIAS003900	PIASTRA 500X500 SP10 ZAVORRA (IRON PLATES)	214
	<p>CONCRETE BLOCK</p> <p>Concrete ballast block. 40x40x4 cm (15 kg) for GBASE003700. 50x50x4 cm (22 kg) for GBASE003400. Price for 1 concrete block.</p>	
PGFG04040	PIASTRELLA GHIAINO FINE GRIGIO 40X40	21
PGFG05050	PIASTRELLA GHIAINO FINE GRIGIO 50X50	21

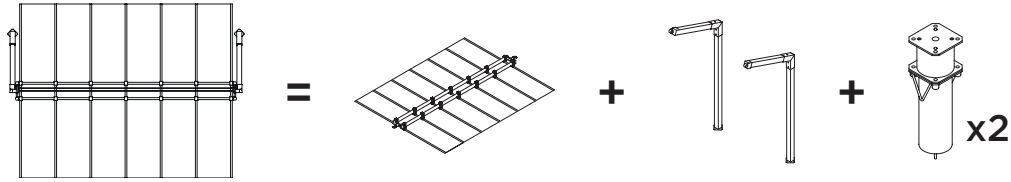
	<p>STICK LED LIGHTING</p> <p>Rechargeable LED stripe (length: 60 cm / 24 inches), supplied with USB cable for charging, charger included, lithium battery, power 2.4 WATT, 240 Lumen. Usage time: ~ 6 hours. To be fixed with 3 screws on the ribs. NET Price for 1 stick. 1 pkg. - wt. 1 kgs - vol. 0,008 m³</p>	
GLAMP000500	STICK LAMPADA DOPPIA BATTERIA	354 NET

CODE	DESCRIPTION	UNIT PRICE IN €
	<p>VASE</p> <p>Decorative vase made of polyethylene to be used as a ballast. Black or white colors. 50x50x50 cm for GBASE003400. 40x40x40 cm for GBASE003700. Price for 1 vase. 1 pkg. - wt. 9 kgs - vol. 0,166 m³</p>	
CACCE000100	VASO 40X40X40 BIANCO O NERO	204
CACCE000100	VASO 50X50X50 BIANCO O NERO	305

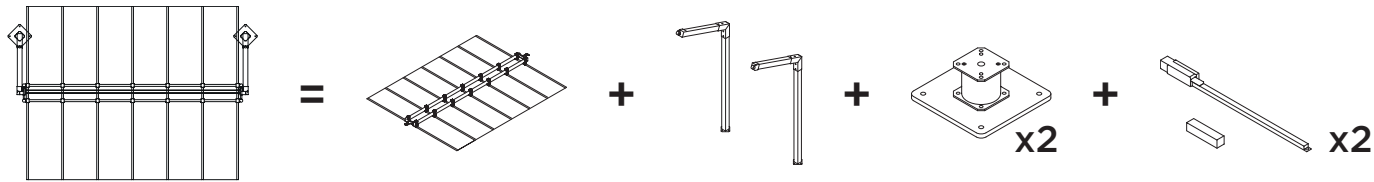
	<p>CUBE</p> <p>Decorative cube made of polyethylene to be used as a seat. Black or white colors. 50x50x50 cm for GBASE003400. 40x40x40 cm for GBASE003700. Price for 1 cube. 1 pkg. - wt. 8 kgs - vol. 0,166 m³</p>	
CACCE000200	CUBE 40X40X40 BIANCO O NERO	204
CACCE000200	CUBE 50X50X50 BIANCO O NERO	305

EXAMPLES FOR CORRECT COMPOSITION / PRICING

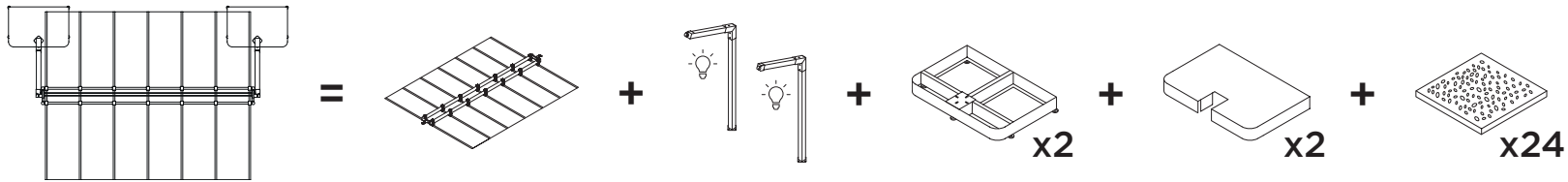
Manual opening and ground insert bases



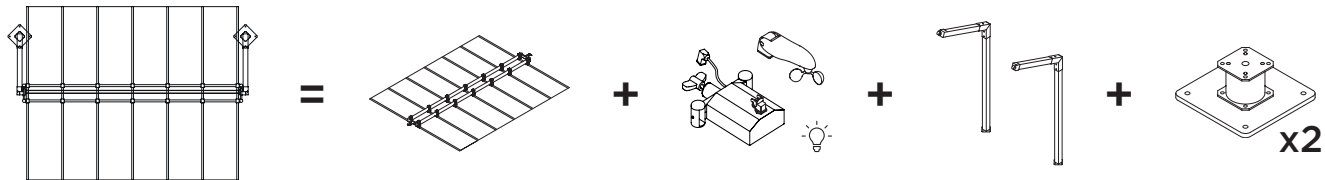
Manual opening with surface mount plates and Stick LED



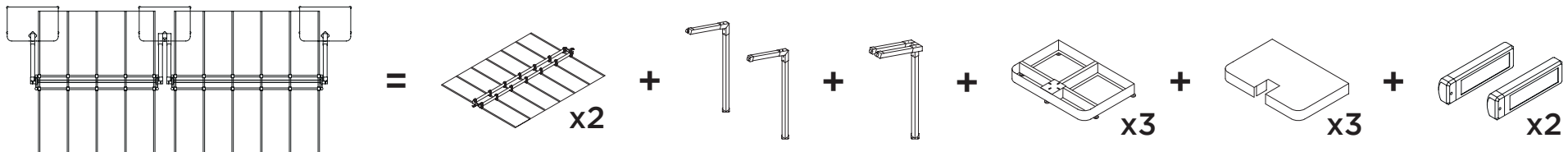
Manual opening with LED, freestanding bases, covers and concrete blocks



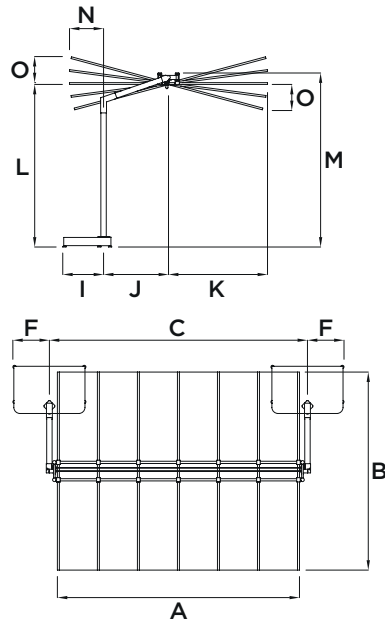
Motorized opening and surface mount plates



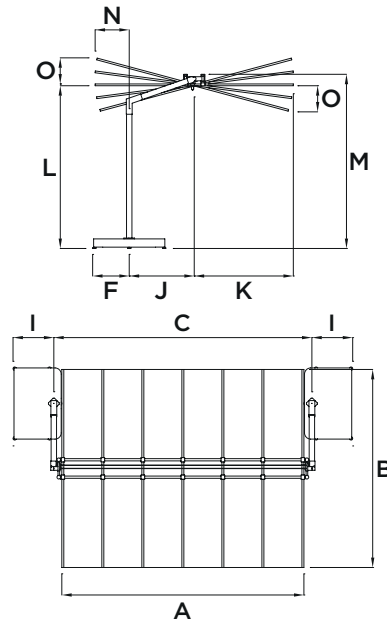
Modular version: manual opening with freestanding bases, covers and heaters



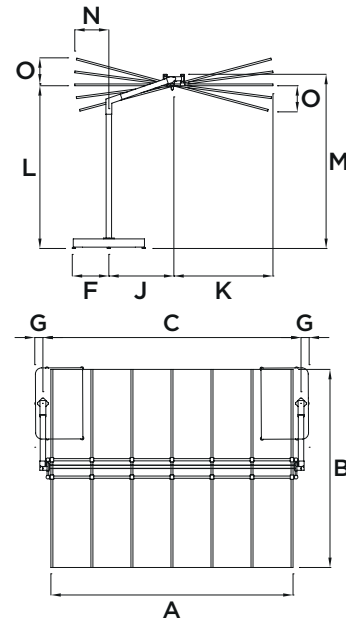
FLEXY - FREESTANDING BASE ALU 1
GBASE003400 - back



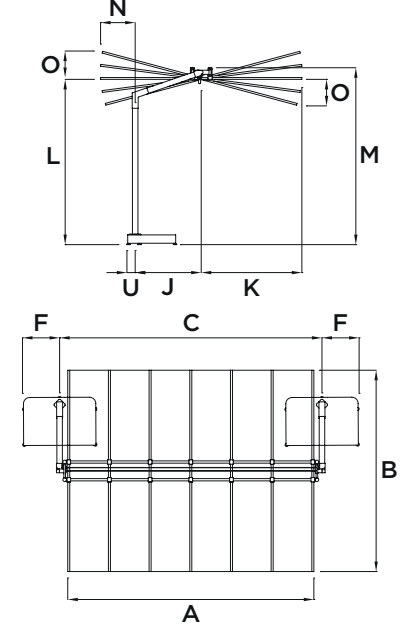
FLEXY - FREESTANDING BASE ALU 1
GBASE003400 - external



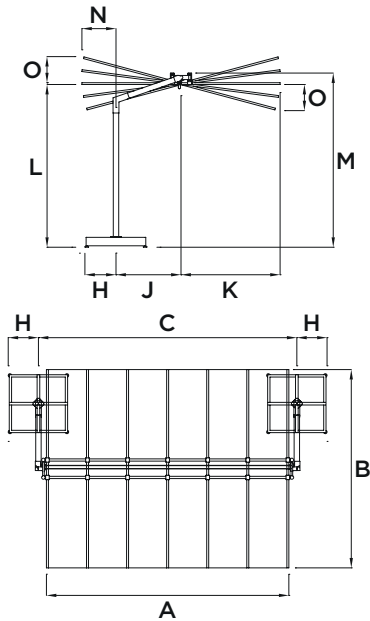
FLEXY - FREESTANDING BASE ALU 1
GBASE003400 - internal



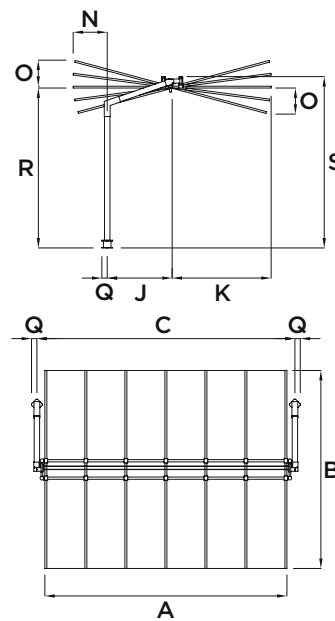
FLEXY - FREESTANDING BASE ALU 1
GBASE003400 - front



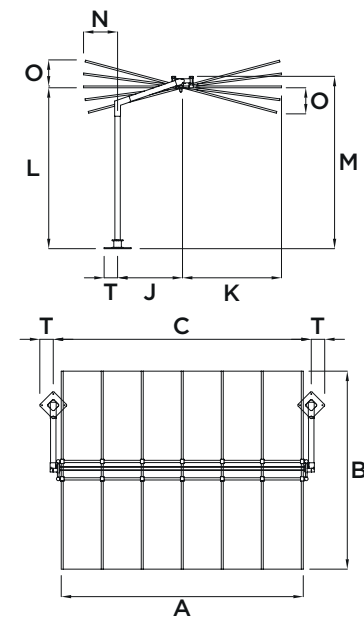
FLEXY - FREESTANDING BASE ALU 4
GBASE003700



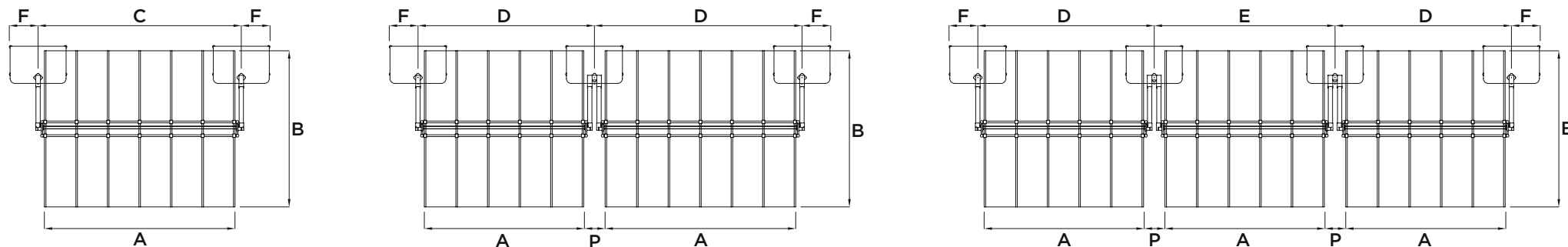
FLEXY - GROUND INSERT BASE
GBASE000900



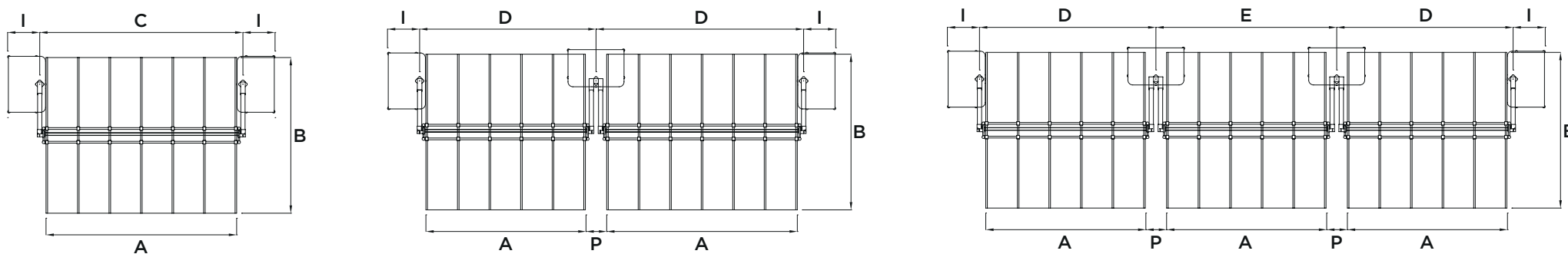
FLEXY - SURFACE MOUNT PLATE
GBASE005800



MODULAR FLEXY - FREESTANDING BASE ALU 1 GBASE003400 - back



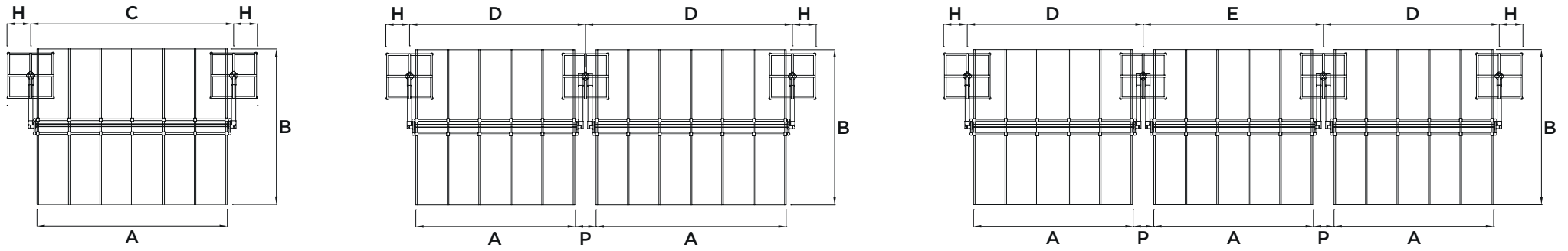
MODULAR FLEXY - FREESTANDING BASE ALU 1 GBASE003400 - external



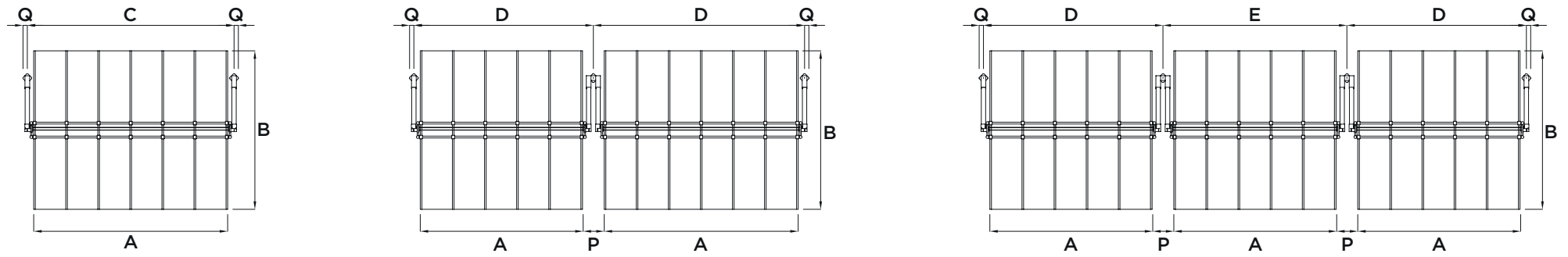
FLEXY MEASURES																					
SIZE (cm)	A	B	C	D	E	F	G	H	I	J	K	L	M	N	O*	P	Q	R	S	T	U
300X488	488	300	512	520	529	55,5	12,5	45,5	62	98	150	246	264	52	40	38	8	244	262	20,5	13
300X428	428	300	450	458	467	55,5	12,5	45,5	62	98	150	246	264	52	40	38	8	244	262	20,5	13
300X369	369	300	391	399	408	55,5	12,5	45,5	62	98	150	246	264	52	40	38	8	244	262	20,5	13
300X309	309	300	331	339	348	55,5	12,5	45,5	62	98	150	246	264	52	40	38	8	244	262	20,5	13
300X249	249	300	270	278	287	55,5	12,5	45,5	62	98	150	246	264	52	40	38	8	244	262	20,5	13
250X488	488	250	512	520	529	55,5	12,5	45,5	62	98	125	246	264	27	33	38	8	244	262	20,5	13
250X428	428	250	450	458	467	55,5	12,5	45,5	62	98	125	246	264	27	33	38	8	244	262	20,5	13
250X369	369	250	391	399	408	55,5	12,5	45,5	62	98	125	246	264	27	33	38	8	244	262	20,5	13
250X309	309	250	331	339	348	55,5	12,5	45,5	62	98	125	246	264	27	33	38	8	244	262	20,5	13
250X249	249	250	270	278	287	55,5	12,5	45,5	62	98	125	246	264	27	33	38	8	244	262	20,5	13

*approximate measures corresponding to two clicks of 7.5 degrees of inclination each (15 degrees in total).

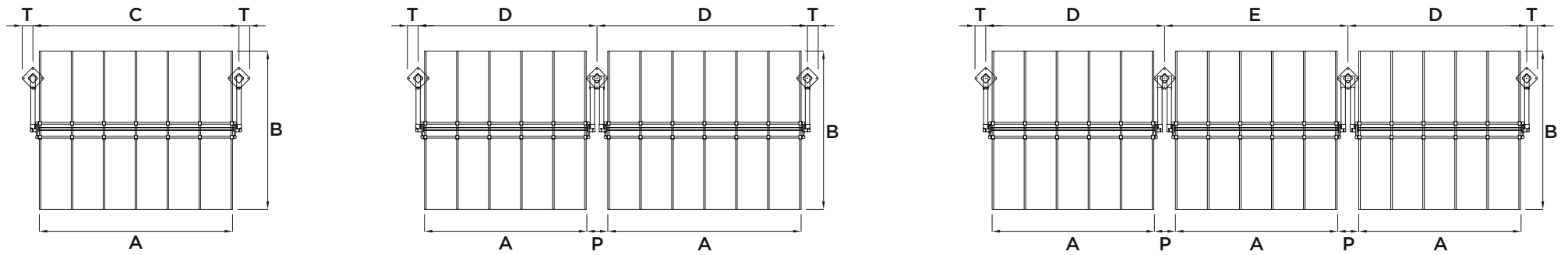
MODULAR FLEXY - FREESTANDING BASE ALU 4 GBASE003700



MODULAR FLEXY - GROUND INSERT BASE GBASE000900

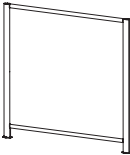
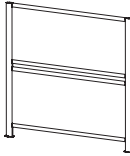


MODULAR FLEXY - SURFACE MOUNT PLATE GBASE005800

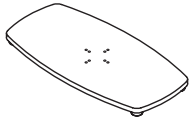


ZED represents a family of products designed to organize the outdoor space according to multiple areas dedicated to different functions. ZED is a partition system consisting of a structure in extruded aluminum color gray-anodic, micro-mesh fabric and galvanized powder coated steel bases. ZED is completed by a wide range of accessories: acoustic panels, coat hangers, signs, vases and plant holders that makes the collection extremely versatile.

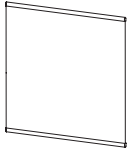
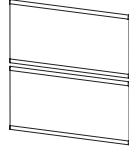
ZED DIVIDERS

CODE	DESCRIPTION	UNIT PRICE IN €
	<p>ZED DIVIDER - SINGLE PANEL</p> <p>Module in different sizes, composed of 2 poles, 2 crossbars made of powder coated aluminum in gray-anodic color, 1 central micro-mesh fabric panel. Bases are sold separately. 2 bases for each divider are required.</p>	Micro-mesh
ZED#2101931SB8MI	ZED 210X193 1 PANNELLO S/BASE ANODIC MICROFORATO	1.177
ZED#1601931SB8MI	ZED 160X193 1 PANNELLO S/BASE ANODIC MICROFORATO	1.098
ZED#2100961SB8MI	ZED 210X96 1 PANNELLO S/BASE ANODIC MICROFORATO	934
ZED#1600961SB8MI	ZED 160X96 1 PANNELLO S/BASE ANODIC MICROFORATO	870
	<p>ZED DIVIDER - DOUBLE PANEL</p> <p>Module in different sizes, composed of 2 poles, 4 crossbars made of powder coated aluminum in gray-anodic color, 2 central micro-mesh fabric panels. Bases are sold separately. 2 bases for each divider are required.</p>	Micro-mesh
ZED#2101932SB8MI	ZED 210X193 2 PANNELLI S/BASE ANODIC MICROFORATO	1.529
ZED#1601932SB8MI	ZED 160X193 2 PANNELLI S/BASE ANODIC MICROFORATO	1.403

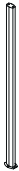
ZED BASE

CODE	DESCRIPTION	UNIT PRICE IN €
	<p>ZED FREESTANDING BASE</p> <p>Steel zinc plated and powder coated base in gray-anodic color. The freestanding base is provided with adjustable feet allowing a correct flat position on the ground. Price for only 1 base. 1 pkg. - wt. 34 kgs - vol. 0,049 m³</p>	
GBASE007600#5	GRUPPO BASE PIASTRA 700X350 C/PIEDINI ZED ANODIC	713

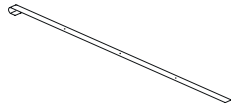
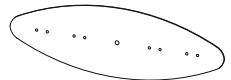


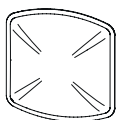
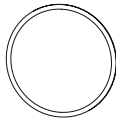
ZED PANELS

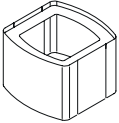
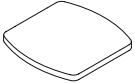
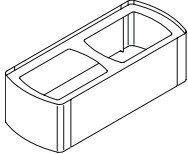
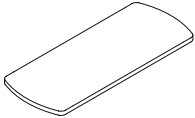
CODE	DESCRIPTION	UNIT PRICE IN €
	<p>ZED SINGLE PANEL</p> <p>Panels in different sizes, composed of 2 crossbars made of powder coated aluminum in gray-anodic color and 1 central micro-mesh fabric panel. The panels can be easily inserted in the grooves of the poles, which are sold separately. Additional pole and base is required for modularity. Price for 1 single panel.</p>	Micro-mesh
GPNZD000400#1921798MI	GRUPPO 1 PANNELLO C/TRVERSE ZED 192X179 MICROFORATO	626
GPNZD000200#1421798MI	GRUPPO 1 PANNELLO C/TRVERSE ZED 142X179 MICROFORATO	548
GPNZD000300#1920878MI	GRUPPO 1 PANNELLO C/TRVERSE ZED 192X87 MICROFORATO	561
GPNZD000100#1420878MI	GRUPPO 1 PANNELLO C/TRVERSE ZED 142X87 MICROFORATO	497
	<p>ZED DOUBLE PANEL</p> <p>Panels in different sizes, composed of 4 crossbars made of powder coated aluminum in gray-anodic color 2 central micro-mesh fabric panels. The panels can be easily inserted in the grooves of the poles, which are sold separately. Additional pole and base is required for modularity. Price for 1 double panel.</p>	Micro-mesh
GPNZD000500#1921798MI	GRUPPO 2 PANNELLI C/TRVERSE ZED 192X87 MICROFORATO	978
GPNZD000600#1421798MI	GRUPPO 2 PANNELLO C/TRVERSE ZED 142X87 MICROFORATO	852

ZED POST

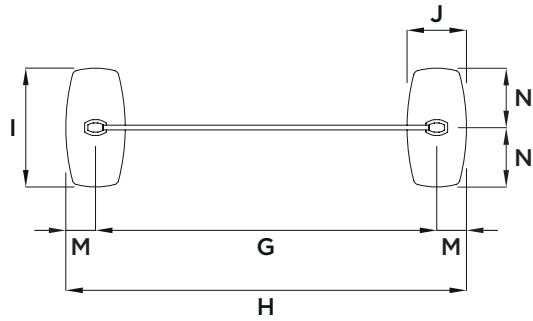
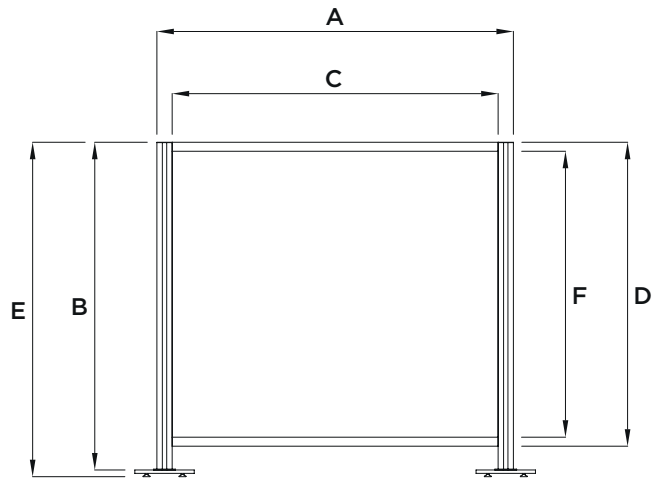
CODE	DESCRIPTION	UNIT PRICE IN €
	<p>ZED POST</p> <p>Poles of different heights (96 cm and 193 cm) made of powder coated aluminum in gray-anodic color. The poles are provided with grooves for an easy insert of the panels, which are sold separately. Every post requires 1 base. Price for 1 pole.</p>	
GPAZD000100#0000968	GRUPPO PALO ZED H 96 ANODIC	187
GPAZD000100#0001938	GRUPPO PALO ZED H 193 ANODIC	275

ZED ACCESSORIES

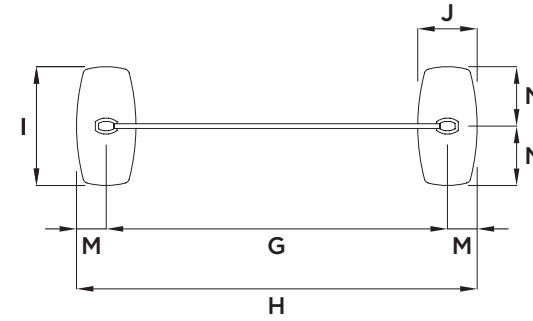
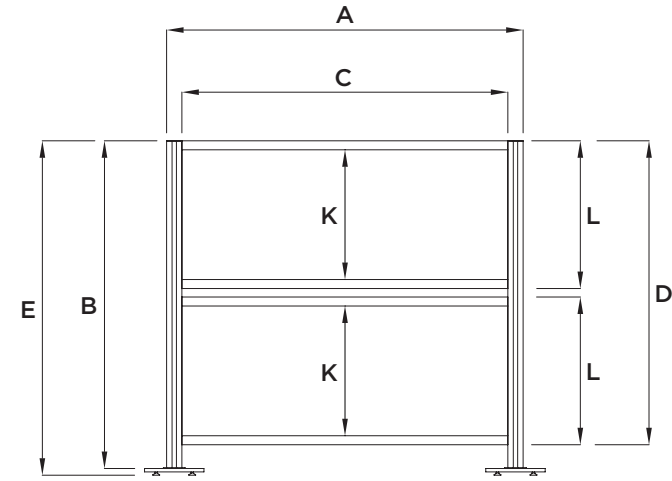
CODE	DESCRIPTION	UNIT PRICE IN €
	<p>ROD FOR ACCESSORIES Stainless steel rod in gray-anodic color. Dimensions: 180x5x0,3 cm. Available with 3 holes, 2 holes or 1 hole allowing the fixing of different accessories directly on the divider modules. Price for 1 rod.</p>	
PATZD00100#3F05	ASTA PORTA ACCESSORI ZED 3 FORI ANODIC	339
PATZD00100#2F05	ASTA PORTA ACCESSORI ZED 2 FORI ANODIC	339
PATZD00100#1FS6	ASTA PORTA ACCESSORI ZED 1 FORO ANODIC	339
	<p>PLANT HOLDER Aluminum plant holder in gray-anodic color designed to be mounted on the rod, directly on the finished modules. Dimensions: 56x18x0,3 cm. Price for 1 holder.</p>	
GPSZD000100#AL5601755	GRUPPO PIASTRA SOSTEGNO ALU 560X175 ZED ANODIC	273
	<p>SIGN PANEL Aluminum sign panel in gray-anodic color designed to be mounted on the rod, directly on the finished modules. Dimensions: 56x56x0,3 cm. Customizable with graphics. Price for 1 sign panel.</p>	
GPSZD000200#AL5605605	GRUPPO PIASTRA CARTELLO ALU 560X560 ZED ANODIC	346
	<p>HANGER KNOB Satinized clothes hanger knob designed to be mounted on the rod, directly on the finished modules. Price for 1 hanger knob.</p>	
PPMZD000100#X	POMELLO PORTA ABITI ZED	16
	<p>ACOUSTIC SQUARE PANEL Thermoformed sound-absorbing panel in polyester fiber. Dimensions: 60x60x5 cm. Available in orange or light blue color. Designed to be mounted on the rod, directly on the finished modules. Price for 1 acoustic panel.</p>	
PPFZD000200#CP	PANNELLO FONOASSORBENTE ZED 600X600	184
	<p>ACOUSTIC ROUND PANEL Thermoformed sound-absorbing panel in polyester fiber. Dimensions: Ø 60x5 cm. Available in brown or green color. Designed to be mounted on the rod, directly on the finished modules. Price for 1 acoustic panel.</p>	
PPFZD000100#CP	PANNELLO FONOASSORBENTE ZED D600	184

CODE	DESCRIPTION	UNIT PRICE IN €
	<p>SQUARE POT Square aluminum pot in linen color. Size 41x41x32 cm. It can be used as a decoration or stowing box. Price for 1 pot. 1 pkg. - wt. 4,5 kgs - vol. 0,07 m³</p>	
PVSZD000200	VASO ZED 41X41 COLORE LINO	673
	<p>TOP FOR SQUARE POT Top made of HPL in color Rock Beige Boiaccia. Size 43x43x1 cm. It can be used as a closure top for the square pot, as additional seat or top for the stowing box (waterproof). Price for 1 top. 1 pkg. - wt. 3,5 kgs - vol. 0,006 m³</p>	
PVSZD000400	COPERCHIO VASO 43X43	286
	<p>RECTANGULAR VASE Rectangular aluminum vase in linen color. Size 41x100x32 cm. It can be used also as a decoration or stowing box. Price for 1 vase. 1 pkg. - wt. 10 kgs - vol. 0,165 m³</p>	
PVSZD000100	VASO ZED 41X100 COLORE LINO	977
	<p>TOP FOR RECTANGULAR VASE Top made of HPL in color Rock Beige Boiaccia. Size 43x102x1 cm. It can be used as a closure top for the square pot, as additional seat or top for the stowing box (waterproof). Price for 1 top. 1 pkg. - wt. 8 kgs - vol. 0,014 m³</p>	
PVSZD000300	COPERCHIO VASO 43X102	518

ZED SINGLE PANEL - ZED FREESTANDING BASE GBASE007600



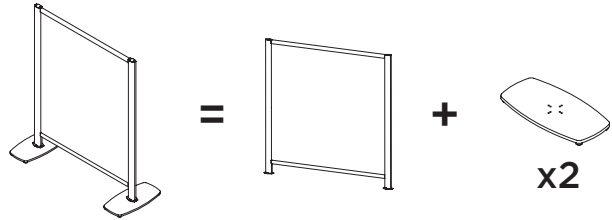
ZED DOUBLE PANEL - ZED FREESTANDING BASE GBASE007600



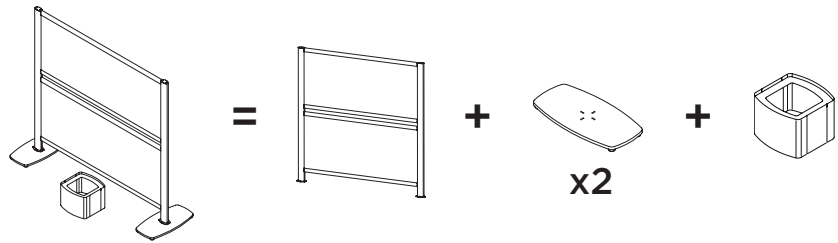
ZED MEASURES														
SIZE (cm)	A	B	C	D	E	F	G	H	I	J	K	L	M	N
210x193	210	193	192	179	197	168	201	236	70	35	76	87	17,5	35
160x193	160	193	142	179	197	168	151	186	70	35	76	87	17,5	35
210x96	210	96	192	87	100	76	201	236	70	35			17,5	35
160x96	160	96	142	87	100	76	151	186	70	35			17,5	35

EXAMPLES FOR CORRECT COMPOSITION / PRICING

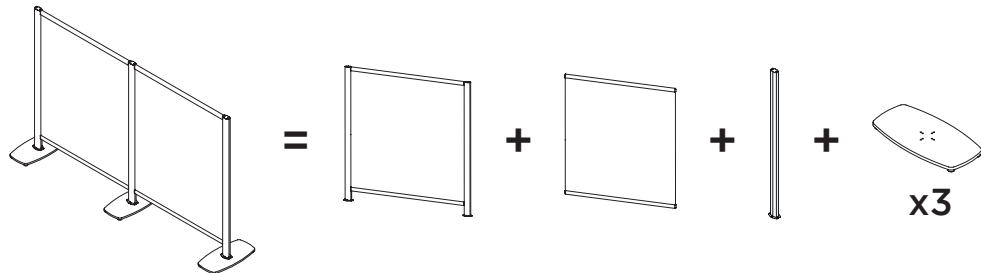
ZED divider and freestanding bases



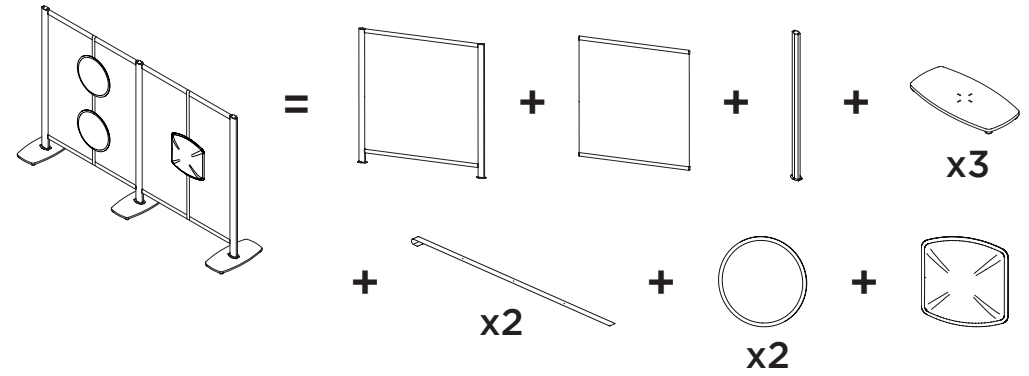
ZED divider, freestanding bases and square pot



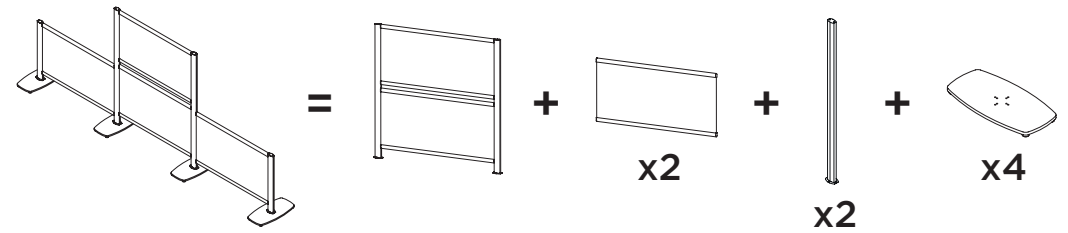
ZED divider, ZED high single panel, post and freestanding bases



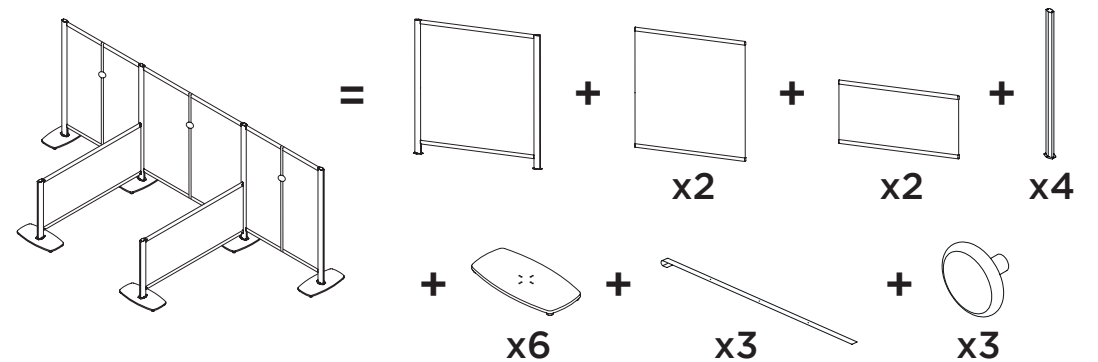
ZED divider (H193), single panel (H179), post (H193), freestanding bases, rods and acoustic panels



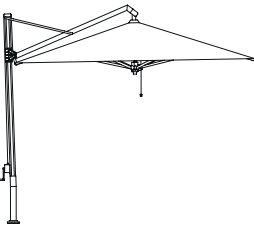

ZED divider (H193), single panels (H87), posts (H96) and freestanding bases



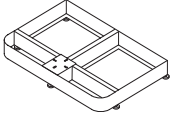
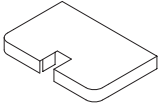
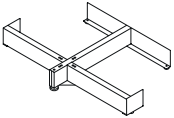
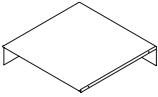
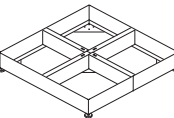
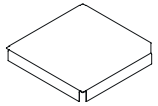
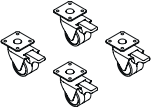
ZED divider (H193), single panels (H179), single panels (H87), posts (2x H193, 2x H96), freestanding bases, rods and hanger knobs


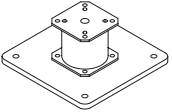


RETRACTABLE UMBRELLAS

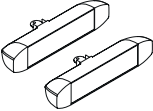
CODE	DESCRIPTION	UNIT PRICE IN €			
		Acrylic ecru A00	Solution dyed Acrylic	Micro-mesh	Airfim
	<p>RODI Aluminum vertical and cantilever poles 7,6x7,6 cm made of powder-coated aluminum in silver (SILV), graphite (GRAF) or white (BIAN) color. Crank for easy opening, possibility of inclination of the opened umbrella. The unit can be rotated 360° around the base. Ribs can be changed singularly without disassembling the umbrella. With a single movement the umbrella retracts aside the vertical pole avoiding to move the furniture underneath. Cover: square 300x300 - 350x350 cm, rectangular 200x300 - 300x200 - 300x350 - 350x300 - 300x400 - 400x300 cm, and octagonal Ø 400 cm. Base is sold separately. Minimum recommended ballast on the base: 200 kg 1 pkg. - wt. 34,5 kgs - vol. 0,214 m³</p>	(without valances, with vent)	(without valances, with vent)	(without valances, without vent)	(with valances, with vent)
ROD#200300A	RODI 200x300 AL SILV/GRAF/BIAN (pole on the 3m side)	1.889	2.238	2.238	2.361
ROD#300200A	RODI 300x200 AL SILV/GRAF/BIAN (pole on the 2m side)	1.889	2.238	2.238	2.361
ROD#300300A	RODI 300x300 AL SILV/GRAF/BIAN	1.947	2.307	2.307	2.433
ROD#350350A	RODI 350x350 AL SILV/GRAF/BIAN	2.071	2.432	2.432	2.557
ROD#300350A	RODI 300x350 AL SILV/GRAF/BIAN (pole on the 3,5m side)	2.001	2.354	2.354	2.475
ROD#350300A	RODI 350x300 AL SILV/GRAF/BIAN (pole on the 3m side)	2.001	2.354	2.354	2.475
ROD#300400A	RODI 300x400 AL SILV/GRAF/BIAN (pole on the 4m side)	2.071	2.432	2.432	2.557
ROD#400300A	RODI 400x300 AL SILV/GRAF/BIAN (pole on the 3m side)	2.071	2.432	2.432	2.557
ROD#000400A	RODI D400 AL SILV/GRAF/BIAN	2.071	2.432	2.432	2.557
	EXTRA COST FOR SOLUTION DYED ACRYLIC FABRIC VALANCES		197		
	EXTRA COST FOR SOLUTION DYED ACRYLIC FABRIC SPECIAL COLOR		+ 27%		
RCART000030	SPECIAL COLOR RAL (only RAL color chart)	ON REQUEST			
	<p>PROTECTION COVER FOR RODI Grey Airfim protection cover with zip and telescopic stick. Fits all versions of the Rodi parasol. To be fitted on the mounted and closed parasol. 1 pkg. - wt. 1,5 kgs - vol. 0,017 m³</p>	Airfim			
GFBAI000200	GRUPPO FODERO RODI CON BASTONE	251			


RODI BASES

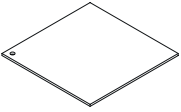
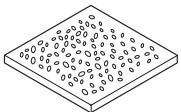
CODE	DESCRIPTION	UNIT PRICE IN €
	FREESTANDING BASE ALU 1 Rectangular base made of powder coated aluminum in silver (SILV), graphite (GRAF) or white (BIAN) color, with adjustable feet. Requires 50x50 cm concrete (10 pcs) or iron (10 pcs) tiles. Minimum recommended ballast: 200 kg. For complete measures see the end of the price-list. Price for 1 base. 1 pkg. - wt. 15,3 kgs - vol. 0,132 m ³	
GBASE003400	GRUPPO BASE PIASTRA ALU 1 SILV/GRAF/BIAN	656
	BASE COVER ALU 1 Cover made of powder coated aluminum in silver (SILV), graphite (GRAF) or white (BIAN) color. For GBASE003400. Price for 1 cover. 1 pkg. - wt. 11 kgs - vol. 0,132 m ³	
PCART001301	COPERTURA BASE PIASTRA ALU 1 SILV/GRAF/BIAN	539
	FREESTANDING BASE ALU 3 Demountable freestanding base made of powder-coated aluminum in silver (SILV), graphite (GRAF) or white (BIAN) color, with adjustable foot. Requires 50x50 cm concrete (10 pcs) or iron (10 pcs) tiles. Minimum recommended ballast: 200 kg. For complete measures see the end of the price-list. Price for 1 base. 1 pkg. - wt. 9,8 kgs - vol. 0,04 m ³	
GBASE004200	GRUPPO BASE ALU 3 H120 C/PIED SILV/GRAF/BIAN	324
	BASE COVER 50x50 Cover made of powder-coated aluminum in silver (SILV), graphite (GRAF) or white (BIAN) color. For GBASE004200. 2 pieces are required for each base. Price for 1 cover. 1 pkg. (2 pcs.) - wt. 5,5 kgs - vol. 0,06 m ³	
PCART002600	COPERTURA MATTONELLE 509x509 SP 108	148
	FREESTANDING BASE ALU 4 Square base made of powder coated aluminum in silver (SILV), graphite (GRAF) or white (BIAN) color, with adjustable feet. Requires 40x40 cm concrete tiles (12 pcs). Minimum recommended ballast: 200 kg. For complete measures see the end of the price-list. Price for 1 base. 1 pkg. - wt. 13 kgs - vol. 0,135 m ³	
GBASE003700	GRUPPO BASE P ALU 4 80x80 SILV/GRAF/BIAN	612
	BASE COVER 40x40 Cover made of powder coated aluminum in silver (SILV), graphite (GRAF) or white (BIAN) color. For GBASE003700. 4 pieces are required for each base. Price for 1 cover. 2 pkg. (4 pcs.) - wt. 6 kgs - vol. 0,03 m ³	
PCART002300	COPERTURA PER MATTONELLE 409x409 SP60	148
	SET OF WHEELS FOR BASE ALU 4 Set of 4 double-wheels with locking system for GBASE003700. For complete measures see the end of the price-list. Price for 4 wheels. 1 pkg. - wt. 1,3 kgs - vol. 0,007 m ³	
GRUOT000100	GRUPPO KIT RUOTE D50 X BASE P ALU 4 80X80	97

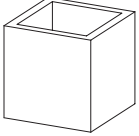
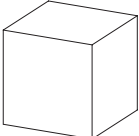
	<p>GROUND INSERT BASE WITH EXTENTION Zinc plated steel ground insert base with extension piece (height 13 cm), in silver (SILV), graphite (GRAF) or white (BIAN) color. Supplied with fixing screws. For complete measures see the end of the price-list. Price for 1 base. 1 pkg. - wt. 4,7 kgs - vol. 0,012 m³</p>	
GBASE000900	GRUPPO BASE STYLO UNIV+PR SILV/GRAF/BIAN	239
	<p>SURFACE MOUNT PLATE WITH EXTENTION Galvanized and powder coated steel plate 30x30 cm, thickness 1,5 cm with extension piece (height 13 cm) in silver (SILV), graphite (GRAF) or white (BIAN) color. It must be fixed to the ground by 4 chemical anchors (not supplied). For complete measures see the end of the price-list. Price for 1 base. 2 pkg. - wt. 13,4 kgs - vol. 0,018 m³</p>	
GBASE005800	GRUPPO PIASTRA GROUND 300X300 C/PROLUNGA BASE STYLO	561

RODI ACCESSORIES

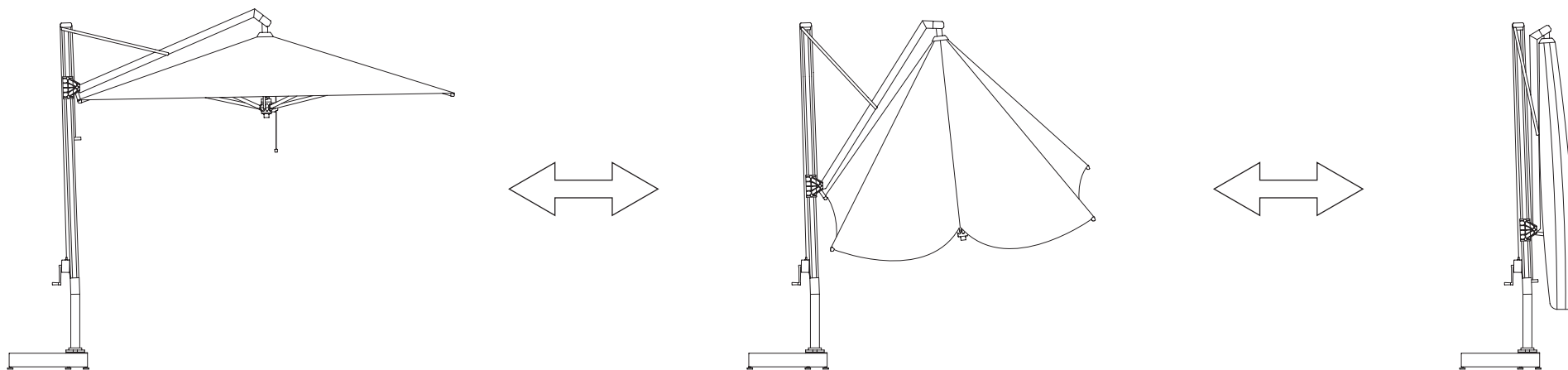
CODE	DESCRIPTION	UNIT PRICE IN €
	<p>HEATERS FOR RODI Heaters with direct connection ON/OFF by plug in, micaceous color, 220V tension, 2000W power, protection rating IPX5. Heating area for each heater: - 12/15 m² - 129/161 ft². Set made of 2 heaters. Supplied with fixing system. Price for 2 Heaters. 2 pkg. - wt. 4 kgs - vol. 0,03 m³</p>	
GRISCO00100	KIT 2 RISCALDAT H11 2000W-STAFFA STECCHE X MAXI-REFLEX-RODI	927

CODE	DESCRIPTION	UNIT PRICE IN €
	<p>ROUND LED LIGHTING LED lighting supplied with USB cable for charging, charger included, lithium battery, 3W power, 280 Lumen. Usage time: ~ 8 hours. Bayonet coupling on the lower hub. NET Price for 1 lamp. 1 pkg. - wt. 1 kgs - vol. 0,003 m³</p>	
GLAMP000200	LAMPADA ROUND PER CAPRI - RODI - CONTRACT BIANCO	384 NET

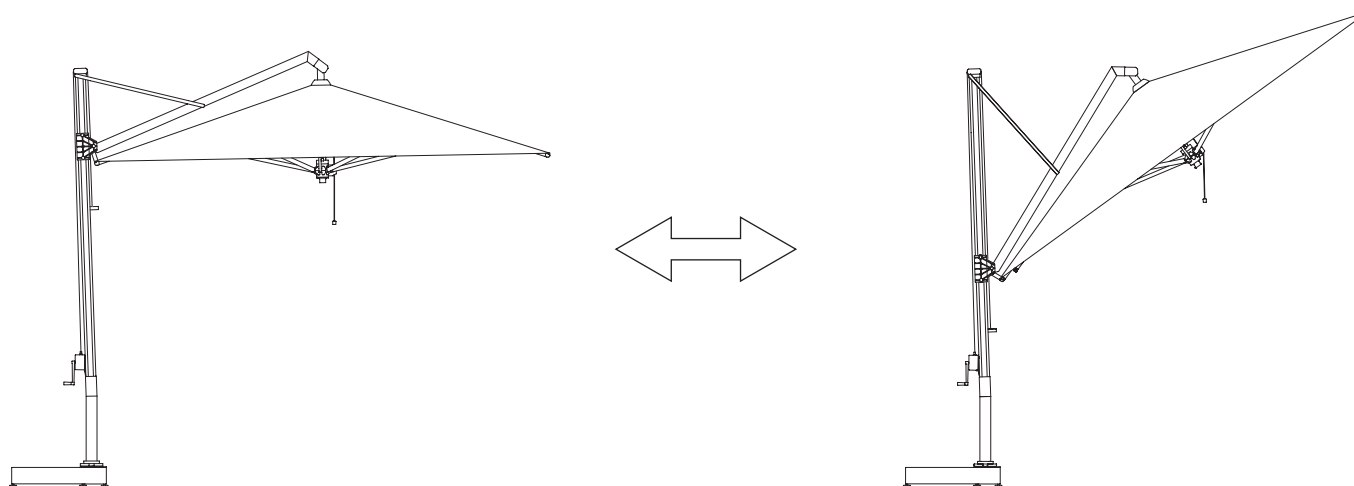
CODE	DESCRIPTION	UNIT PRICE IN €
	<p>STEEL PLATE Zinc plated iron ballast plate. 50x50x1 cm (20 kg) for GBASE003400 and GBASE004200. Price for 1 iron plate.</p>	
PPIAS003900	PIASTRA 500X500 SP10 ZAVORRA (IRON PLATES)	214
	<p>CONCRETE BLOCK Concrete ballast block. 40x40x4 cm (15 kg) for GBASE003700. 50x50x4 cm (22 kg) for GBASE003400 and GBASE004200. Price for 1 concrete block.</p>	
PGFG04040	PIASTRELLA GHIAINO FINE GRIGIO 40X40	21
PGFG05050	PIASTRELLA GHIAINO FINE GRIGIO 50X50	21

CODE	DESCRIPTION	UNIT PRICE IN €
	<p>VASE Decorative vase made of polyethylene to be used as a ballast. Black or white colors. 50x50x50 cm for GBASE003400 and GBASE004200. 40x40x40 cm for GBASE003700. Price for 1 vase. 1 pkg. - wt. 9 kgs - vol. 0,166 m³</p>	
CACCE000100	VASO 40X40X40 BIANCO O NERO	204
CACCE000100	VASO 50X50X50 BIANCO O NERO	305
	<p>CUBE Decorative cube made of polyethylene to be used as a seat. Black or white colors. 50x50x50 cm for GBASE003400 and GBASE004200. 40x40x40 cm for GBASE003700. Price for 1 cube. 1 pkg. - wt. 8 kgs - vol. 0,166 m³</p>	
CACCE000200	CUBE 40X40X40 BIANCO O NERO	204
CACCE000200	CUBE 50X50X50 BIANCO O NERO	305

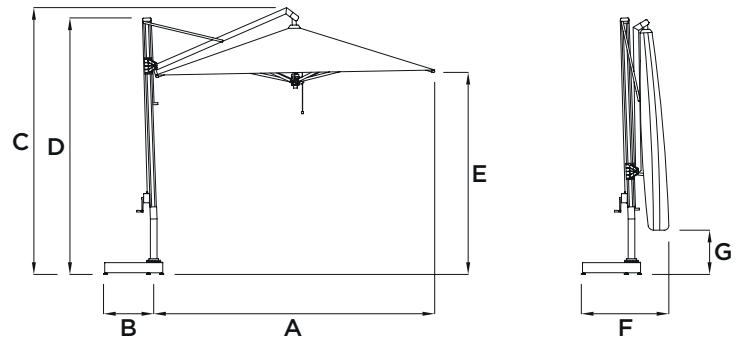
CLOSURE STEPS



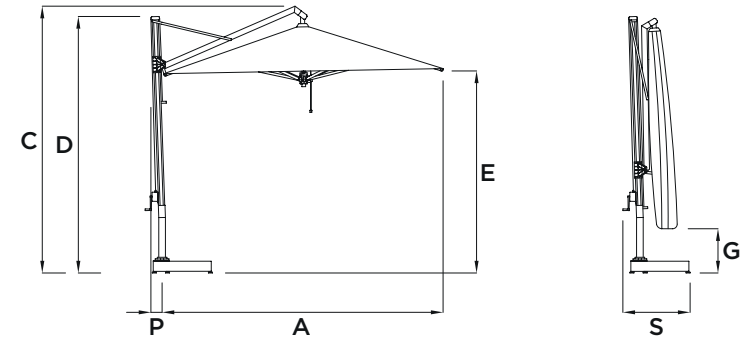
UMBRELLA INCLINATION



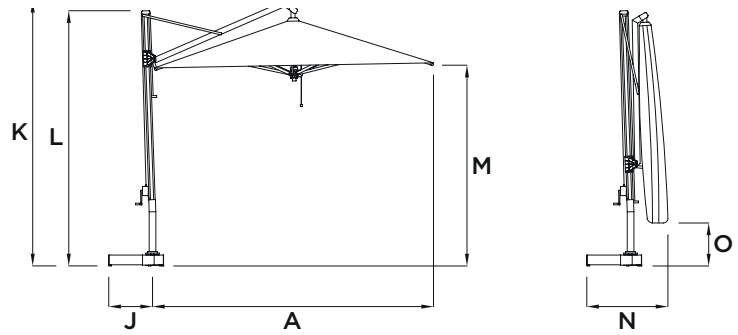
RODI - FREESTANDING BASE ALU 1 GBASE003400 - back



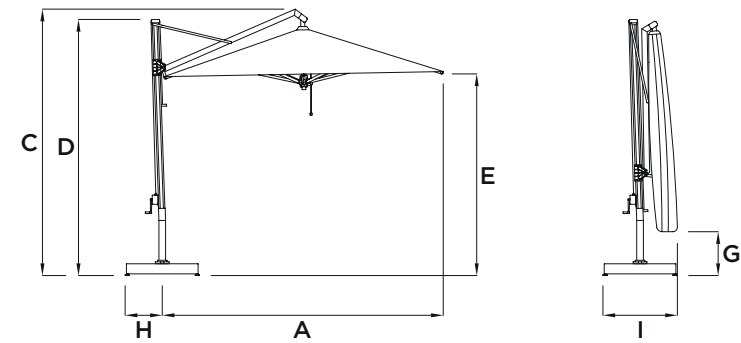
RODI - FREESTANDING BASE ALU 1 GBASE003400 - front



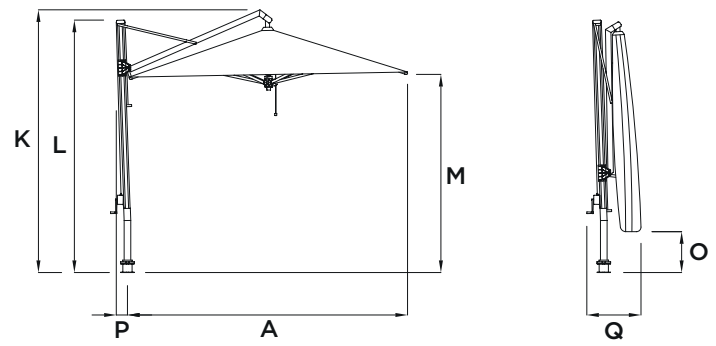
RODI - FREESTANDING BASE ALU 3 GBASE004200



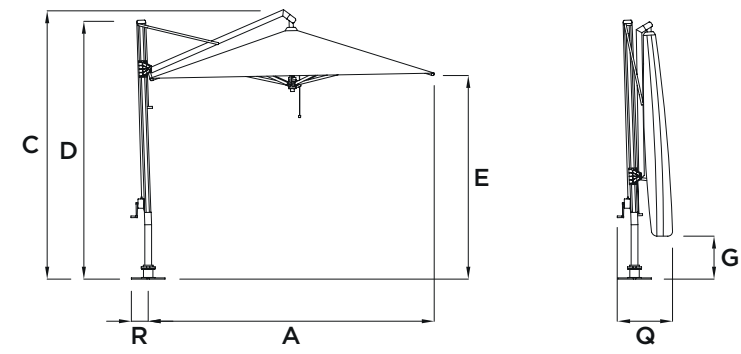
RODI - FREESTANDING BASE ALU 4 GBASE003700

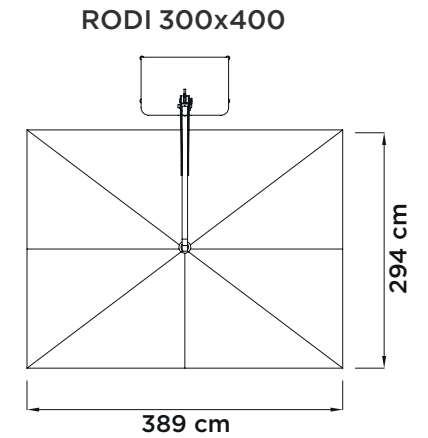
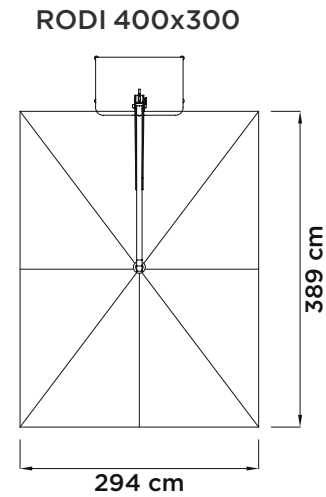
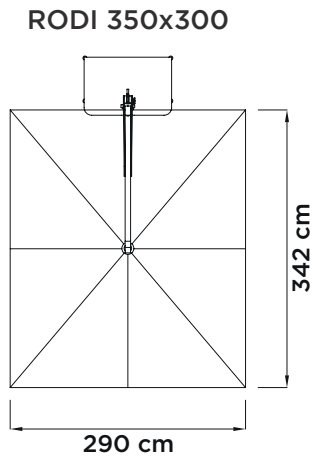
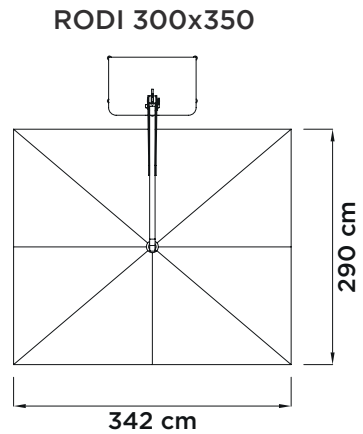
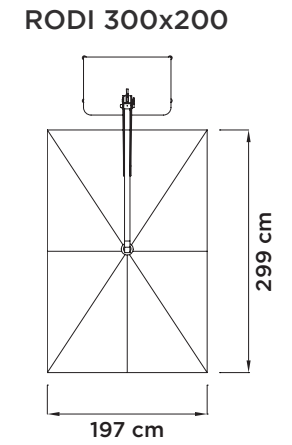
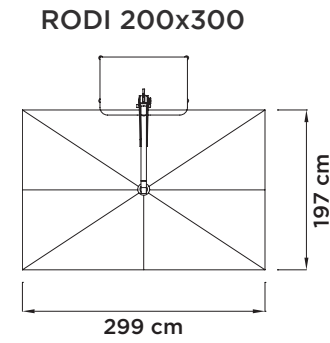
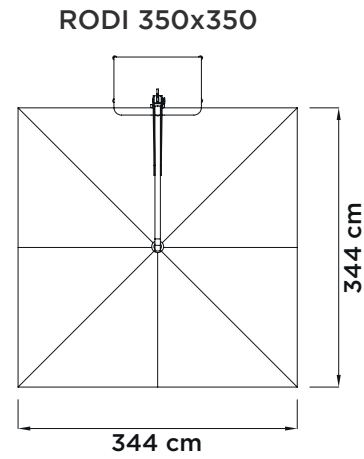
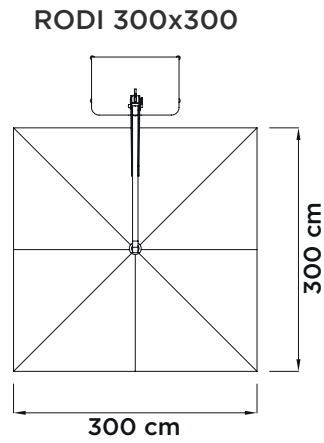
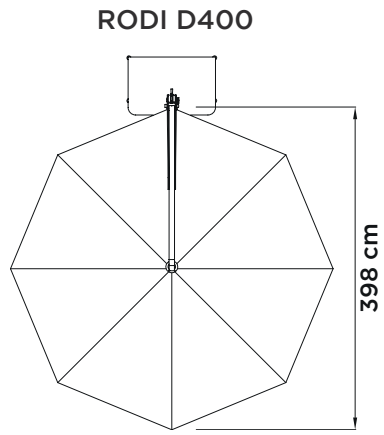


RODI - GROUND INSERT BASE GBASE000900



RODI - SURFACE MOUNT PLATE GBASE005800

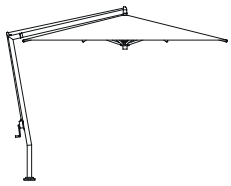





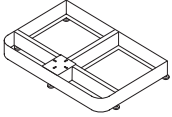
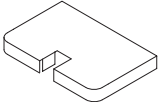
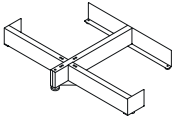
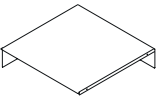
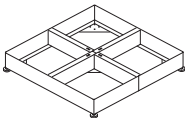
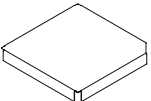
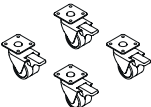
RODI MEASURES																			
SIZE (cm)	A	B	C*	D*	E*	F	G*	H	I	J	K	L	M	N	O	P	Q	R	S
200x300	202	62	312	316	251	107	83	45	92	54	310	314	249	99	81	14	66	21	83
300x200	328	62	330	316	256	108	86	45	92	54	328	314	254	100	84	14	67	21	83
300x300	327	62	330	316	256	108	86	45	92	54	328	314	254	100	84	14	67	21	83
350x350	346	62	330	316	243	108	55	45	92	54	328	314	241	100	53	14	67	21	83
300x350	318	62	330	316	259	106	72	45	91	54	328	314	257	98	70	14	65	21	83
350x300	346	62	330	316	249	105	73	45	91	54	328	314	247	97	71	14	64	21	83
300x400	323	62	330	316	259	106	54	45	91	54	328	314	257	98	52	14	65	21	83
400x300	395	62	340	336	267	105	61	45	91	54	338	334	265	97	59	15	64	21	83
D400	399	62	340	336	267	105	104	45	91	54	338	334	265	97	102	15	64	21	83


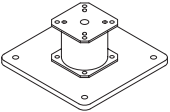
* for base GBASE003700 with wheels GRUOT000100 add 6 cm to every measure of the coloumns (C, D, E, G).

SIDE POST UMBRELLAS WITH TILT

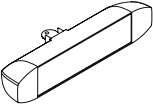
CODE	DESCRIPTION	UNIT PRICE IN €				
		Olefim	Acrylic ecru A00	Solution dyed Acrylic	Micro-mesh	Airfim
	ISCHIA Vertical pole 6,7x6,7 cm made of powder-coated aluminum in silver (SILV), graphite (GRAF), white (BIAN) color, or teak wood with silver details (TEAK SILV) or in laminated hard wood with graphite details (LEG GRAF). Cantilever and ribs made of powder coated aluminum. Crank for easy opening, possibility to tilt the open umbrella. The unit can be rotated 360° around the base. Ribs can be changed singularly without disassembling the umbrella. Cover: hexagonal Ø 320 cm, octagonal Ø 340 cm, rectangular 200x300 - 300x200 - 250x300 - 300x250 cm, square 200x200 - 280x280 cm and oval 250x375 cm. Ø 320 cm only has wooden ribs. Base is sold separately. Minimum recommended ballast on the base: 120 kg. 2 pkg. - wt. 27,1 kgs - vol. 0,177 m ³	(without valances, with vent)	(without valances, with vent)	(without valances, with vent)	(without valances, without vent)	(with valances, with vent)
ISC#000320WG00	ISCHIA D320 LEG GRAF	1.275	1.275	1.510	1.510	1.726
ISC#000340A	ISCHIA D340 AL SILV/GRAF/BIAN	1.313	1.313	1.610	1.610	1.795
ISC#000340TS00	ISCHIA D340 TEAK SILV	1.526	1.526	1.824	1.824	2.011
ISC#000340WG00	ISCHIA D340 LEG GRAF	1.313	1.313	1.610	1.610	1.795
ISC#200300A	ISCHIA 200x300 AL SILV/GRAF/BIAN (pole on the 3m side)	1.205	1.205	1.436	1.436	1.596
ISC#200300TS00	ISCHIA 200x300 TEAK SILV (pole on the 3m side)	1.410	1.410	1.643	1.643	1.798
ISC#200300WG00	ISCHIA 200x300 LEG GRAF (pole on the 3m side)	1.205	1.205	1.436	1.436	1.596
ISC#300200A	ISCHIA 300x200 AL SILV/GRAF/BIAN (pole on the 2m side)	1.205	1.205	1.436	1.436	1.596
ISC#300200TS00	ISCHIA 300x200 TEAK SILV (pole on the 2m side)	1.410	1.410	1.643	1.643	1.798
ISC#300200WG00	ISCHIA 300x200 LEG GRAF (pole on the 2m side)	1.205	1.205	1.436	1.436	1.596
ISC#250300A	ISCHIA 250x300 AL SILV/GRAF/BIAN (pole on the 3m side)	1.402	1.402	1.567	1.567	1.693
ISC#250300TS00	ISCHIA 250x300 TEAK SILV (pole on the 3m side)	1.614	1.614	1.785	1.785	1.904
ISC#250300WG00	ISCHIA 250x300 LEG GRAF (pole on the 3m side)	1.402	1.402	1.567	1.567	1.693
ISC#300250A	ISCHIA 300x250 AL SILV/GRAF/BIAN (pole on the 2,5m side)	1.402	1.402	1.567	1.567	1.693
ISC#300250TS00	ISCHIA 300x250 TEAK SILV (pole on the 2,5m side)	1.614	1.614	1.785	1.785	1.904
ISC#300250WG00	ISCHIA 300x250 LEG GRAF (pole on the 2,5m side)	1.402	1.402	1.567	1.567	1.693
ISC#200200A	ISCHIA 200x200 AL SILV/GRAF/BIAN	1.102	1.102	1.205	1.205	1.273
ISC#200200TS00	ISCHIA 200x200 TEAK SILV	1.315	1.315	1.419	1.419	1.487
ISC#200200WG00	ISCHIA 200x200 LEG GRAF	1.102	1.102	1.205	1.205	1.273
ISC#280280A	ISCHIA 280x280 AL SILV/GRAF/BIAN	1.313	1.313	1.610	1.610	1.795
ISC#280280TS00	ISCHIA 280x280 TEAK SILV	1.526	1.526	1.824	1.824	2.011
ISC#280280WG00	ISCHIA 280x280 LEG GRAF	1.313	1.313	1.610	1.610	1.795
ISC#250375A	ISCHIA 250x375 AL SILV/GRAF/BIAN (pole on the 3,75m side)	1.489	1.489	1.787	1.787	1.972
ISC#250375TS00	ISCHIA 250x375 TEAK SILV (pole on the 3,75m side)	1.696	1.696	1.995	1.995	2.179
ISC#250375WG00	ISCHIA 250x375 LEG GRAF (pole on the 3,75m side)	1.489	1.489	1.787	1.787	1.972
	EXTRA COST FOR SOLUTION DYED ACRYLIC FABRIC VALANCES			154		
	EXTRA COST FOR SOLUTION DYED ACRYLIC FABRIC SPECIAL COLOR			+ 30%		
RCART000030	SPECIAL COLOR RAL (only RAL color chart)	ON REQUEST				
	PROTECTION COVER FOR ISCHIA Grey Airfim protection cover with aluminum ribs. Fits all versions of the Ischia parasol. To be fitted on the mounted and closed parasol. 1 pkg. - wt. 1,5 kgs - vol. 0,003 m ³	Airfim				
GFDAI000600	GRUPPO FODERO ISCHIA-RIO CON ASTINA AIRFIM	194				

ISCHIA BASES

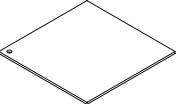
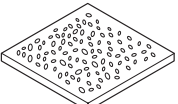
CODE	DESCRIPTION	UNIT PRICE IN €
	FREESTANDING BASE ALU 1 Rectangular base made of powder coated aluminum in silver (SILV), graphite (GRAF) or white (BIAN) color, with adjustable feet. Requires 50x50 cm concrete (6 pcs) or iron (6 pcs) tiles. Minimum recommended ballast: 120 kg. For complete measures see the end of the price-list. Price for 1 base. 1 pkg. - wt. 15,3 kgs - vol. 0,132 m ³	
GBASE003400	GRUPPO BASE PIASTRA ALU 1 SILV/GRAF/BIAN	656
	BASE COVER ALU 1 Cover made of powder coated aluminum in silver (SILV), graphite (GRAF) or white (BIAN) color. For GBASE003400. Price for 1 cover. 1 pkg. - wt. 11 kgs - vol. 0,132 m ³	
PCART001301	COPERTURA BASE PIASTRA ALU 1 SILV/GRAF/BIAN	539
	FREESTANDING BASE ALU 3 Demountable freestanding base made of powder-coated aluminum in silver (SILV), graphite (GRAF) or white (BIAN) color, with adjustable foot. Requires 50x50 cm concrete (6 pcs) or iron (6 pcs) tiles. Minimum recommended ballast: 120 kg. For complete measures see the end of the price-list. Price for 1 base. 1 pkg. - wt. 9,8 kgs - vol. 0,04 m ³	
GBASE004200	GRUPPO BASE ALU 3 H120 C/PIED SILV/GRAF/BIAN	324
	BASE COVER 50x50 Cover made of powder-coated aluminum in silver (SILV), graphite (GRAF) or white (BIAN) color. For GBASE004200. 2 pieces are required for each base. Price for 1 cover. 1 pkg. (2 pcs.) - wt. 5,5 kgs - vol. 0,06 m ³	
PCART002600	COPERTURA MATTONELLE 509x509 SP 108	148
	FREESTANDING BASE ALU 4 Square base made of powder coated aluminum in silver (SILV), graphite (GRAF) or white (BIAN) color, with adjustable feet. Requires 40x40 cm concrete tiles (8 pcs). Minimum recommended ballast: 120 kg. For complete measures see the end of the price-list. Price for 1 base. 1 pkg. - wt. 13 kgs - vol. 0,135 m ³	
GBASE003700	GRUPPO BASE P ALU 4 80x80 SILV/GRAF/BIAN	612
	BASE COVER 40x40 Cover made of powder coated aluminum in silver (SILV), graphite (GRAF) or white (BIAN) color. For GBASE003700. 4 pieces are required for each base. Price for 1 cover. 2 pkg. (4 pcs.) - wt. 6 kgs - vol. 0,03 m ³	
PCART002300	COPERTURA PER MATTONELLE 409x409 SP60	148
	SET OF WHEELS FOR BASE ALU 4 Set of 4 double-wheels with locking system for GBASE003700. For complete measures see the end of the price-list. Price for 4 wheels. 1 pkg. - wt. 1,3 kgs - vol. 0,007 m ³	
GRUOT000100	GRUPPO KIT RUOTE D50 X BASE P ALU 4 80X80	97

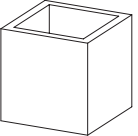
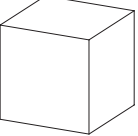
	<p>GROUND INSERT BASE WITH EXTENTION</p> <p>Zinc plated steel ground insert base with extension piece (height 13 cm), in silver (SILV), graphite (GRAF) or white (BIAN) color. Supplied with fixing screws. For complete measures see the end of the price-list. Price for 1 base. 1 pkg. - wt. 4,7 kgs - vol. 0,012 m³</p>	
<p>GBASE000900</p>	<p>GRUPPO BASE STYLO UNIV+PR SILV/GRAF/BIAN</p>	<p>239</p>
	<p>SURFACE MOUNT PLATE WITH EXTENTION</p> <p>Galvanized and powder coated steel plate 30x30 cm, thickness 1,5 cm with extension piece (height 13 cm) in silver (SILV), graphite (GRAF) or white (BIAN) color. It must be fixed to the ground by 4 chemical anchors (not supplied). For complete measures see the end of the price-list. Price for 1 base. 2 pkg. - wt. 13,4 kgs - vol. 0,018 m³</p>	
<p>GBASE005800</p>	<p>GRUPPO PIASTRA GROUND 300X300 C/PROLUNGA BASE STYLO</p>	<p>561</p>

ISCHIA ACCESSORIES

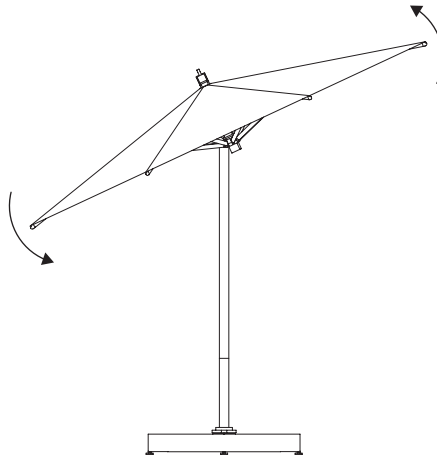
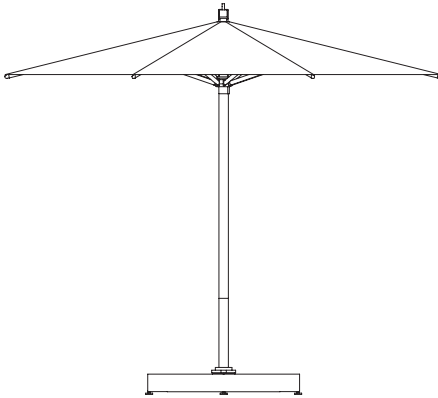
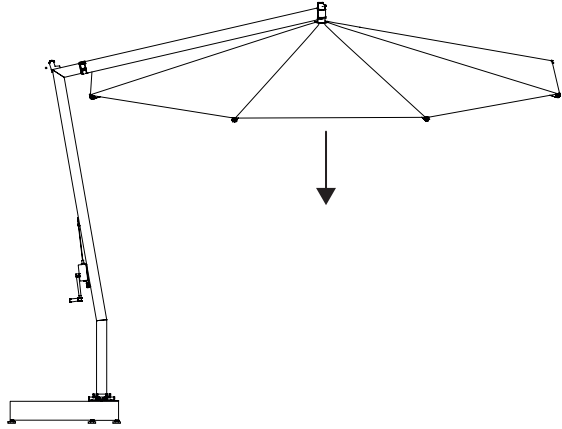
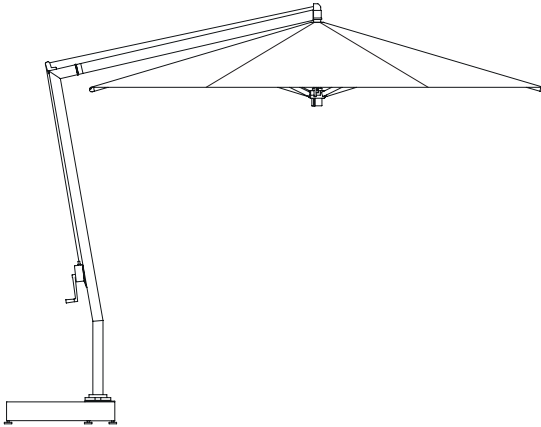
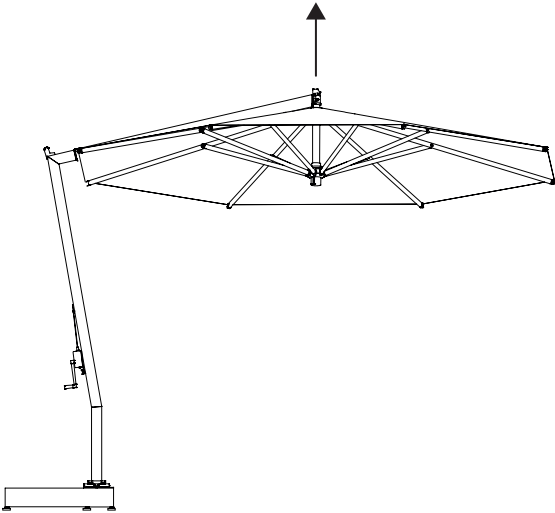
CODE	DESCRIPTION	UNIT PRICE IN €
	<p>HEATER FOR ISCHIA</p> <p>Heater with direct connection ON/OFF by plug in, micaceous color, 220V tension, 2000W power, protection rating IPX5. Heating area: - 12/15 m² - 129/161 ft². Set made of 1 heater. Supplied with fixing system. Price for 1 heater. 2 pkg. - wt. 3,5 kgs - vol. 0,021 m³</p>	
<p>GRISC000300</p>	<p>KIT 1 RISCALDAT H11 2000W-STAFFA PANTOGRAFO X ISCHIA-RIO</p>	<p>664</p>

CODE	DESCRIPTION	UNIT PRICE IN €
	<p>ROUND LED LIGHTING</p> <p>LED lighting supplied with USB cable for charging, charger included, lithium battery, 3W power, 280 Lumen. Usage time: - 8 hours. Coupling on the lower hub. NET Price for 1 lamp. 1 pkg. - wt. 1 kgs - vol. 0,003 m³</p>	
<p>GLAMP000300</p>	<p>LAMPADA ROUND PER ISCHIA-GARDA-RIO-SOLEADO PL BIANCO</p>	<p>384 NET</p>

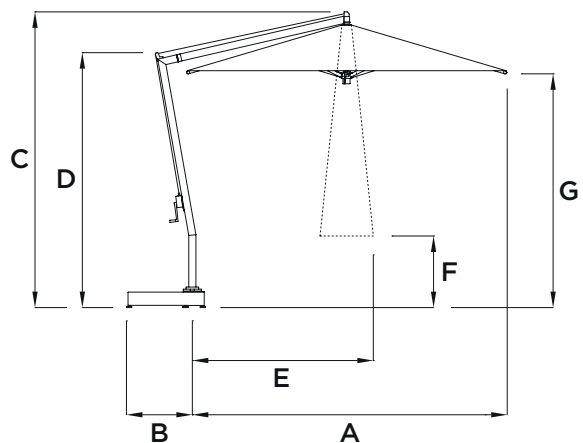
CODE	DESCRIPTION	UNIT PRICE IN €
	<p>STEEL PLATE</p> <p>Zinc plated iron ballast plate. 50x50x1 cm (20 kg) for GBASE003400 and GBASE004200. Price for 1 iron plate.</p>	
<p>PPIAS003900</p>	<p>PIASTRA 500X500 SP10 ZAVORRA (IRON PLATES)</p>	<p>214</p>
	<p>CONCRETE BLOCK</p> <p>Concrete ballast block. 40x40x4 cm (15 kg) for GBASE003700. 50x50x4 cm (22 kg) for GBASE003400 and GBASE004200. Price for 1 concrete block.</p>	
<p>PGFG04040</p>	<p>PIASTRELLA GHIAINO FINE GRIGIO 40X40</p>	<p>21</p>
<p>PGFG05050</p>	<p>PIASTRELLA GHIAINO FINE GRIGIO 50X50</p>	<p>21</p>

CODE	DESCRIPTION	UNIT PRICE IN €
	<p>VASE</p> <p>Decorative vase made of polyethylene to be used as a ballast. Black or white colors. 50x50x50cm for GBASE003400 and GBASE004200. 40x40x40 cm for GBASE003700. Price for 1 vase. 1 pkg. - wt. 9 kgs - vol. 0,166 m³</p>	
<p>CACCE000100</p>	<p>VASO 40X40X40 BIANCO O NERO</p>	<p>204</p>
<p>CACCE000100</p>	<p>VASO 50X50X50 BIANCO O NERO</p>	<p>305</p>
	<p>CUBE</p> <p>Decorative cube made of polyethylene to be used as a seat. Black or white colors. 50x50x50cm for GBASE003400 and GBASE004200. 40x40x40 cm for GBASE003700. Price for 1 cube. 1 pkg. - wt. 8 kgs - vol. 0,166 m³</p>	
<p>CACCE000200</p>	<p>CUBE 40X40X40 BIANCO O NERO</p>	<p>204</p>
<p>CACCE000200</p>	<p>CUBE 50X50X50 BIANCO O NERO</p>	<p>305</p>

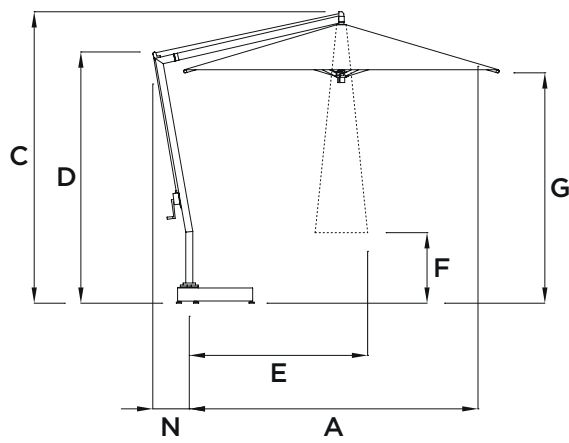
ISCHIA TILTING SYSTEM



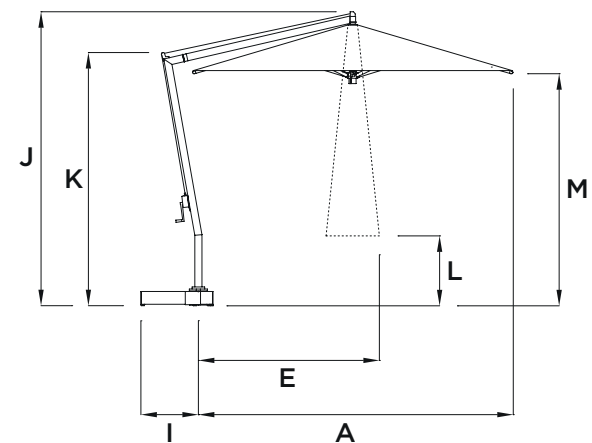
ISCHIA - FREESTANDING BASE ALU 1
GBASE003400 - back



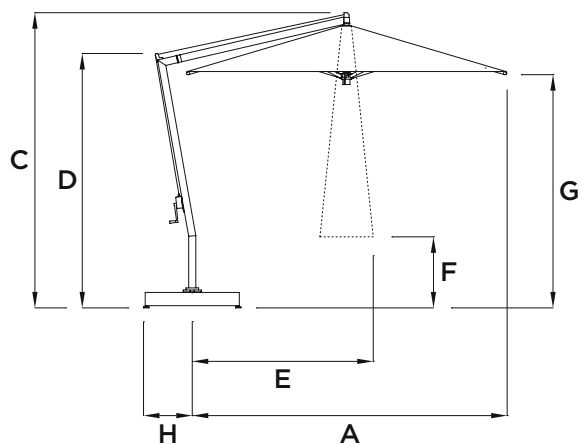
ISCHIA - FREESTANDING BASE ALU 1
GBASE003400 - front



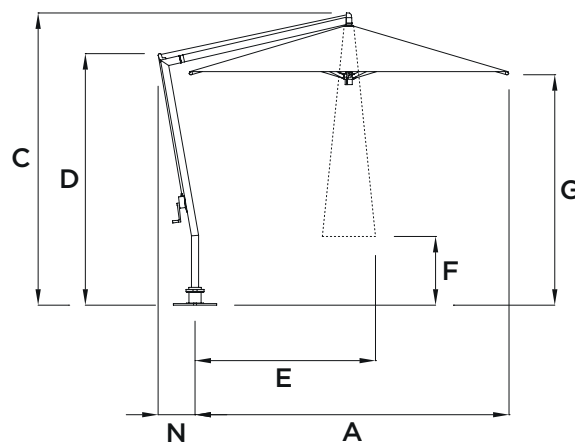
ISCHIA - FREESTANDING BASE ALU 3
GBASE004200



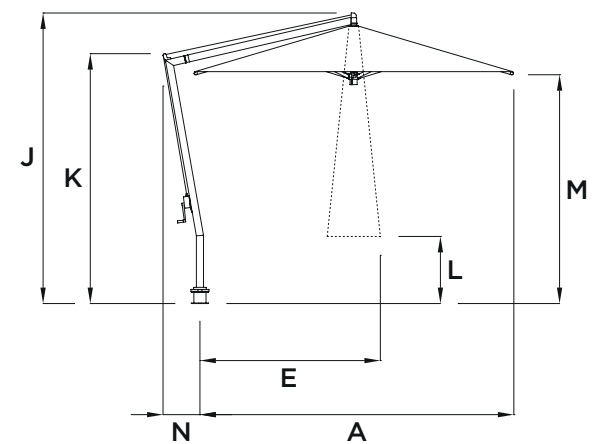
ISCHIA - FREESTANDING BASE ALU 4
GBASE003700



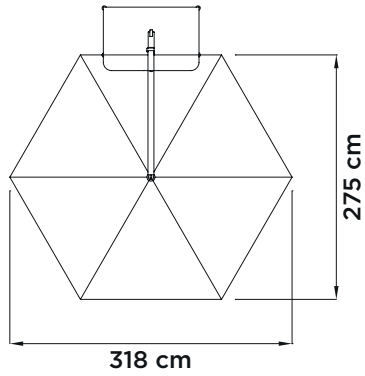
ISCHIA - SURFACE MOUNT PLATE
GBASE005800



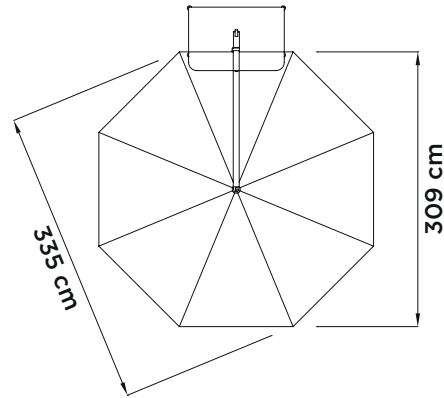
ISCHIA - GROUND INSERT BASE
GBASE000900



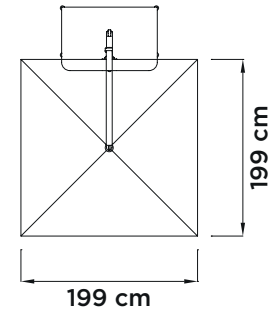
ISCHIA D320



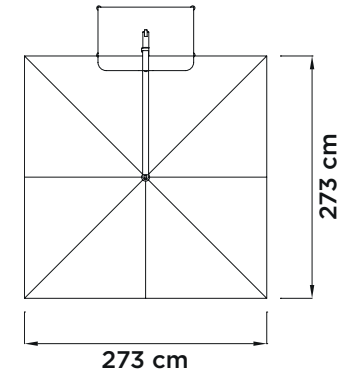
ISCHIA D340



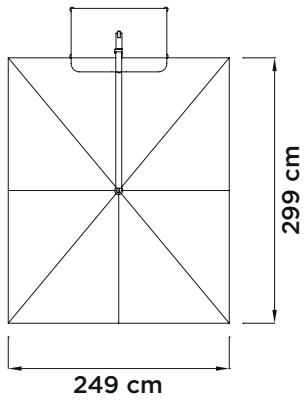
ISCHIA 200x200



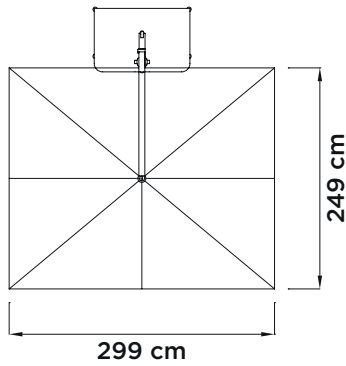
ISCHIA 280x280



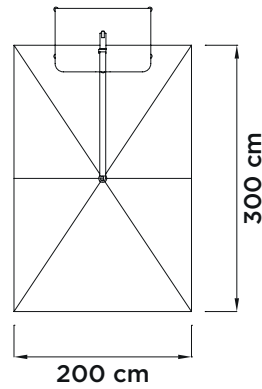
ISCHIA 300x250



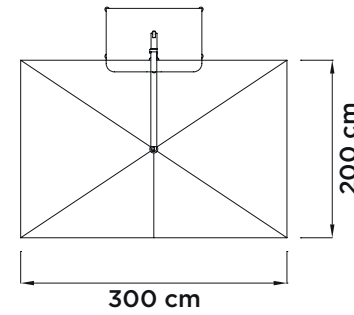
ISCHIA 250x300



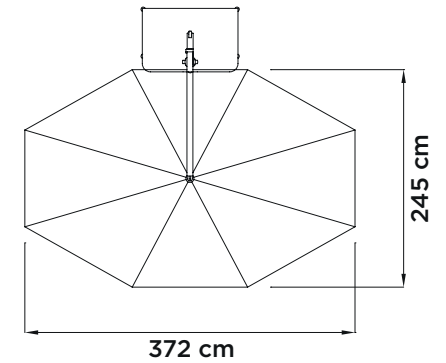
ISCHIA 300x200



ISCHIA 200x300



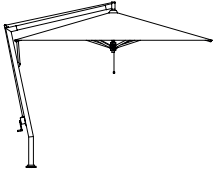

ISCHIA 250x375



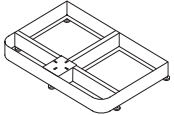
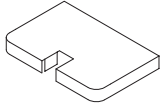
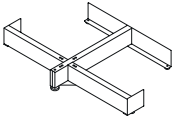
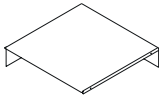
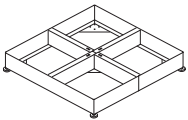
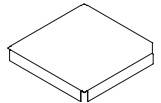
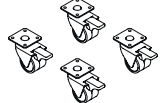
ISCHIA MEASURES														
SIZE (cm)	A	B	C*	D*	E	F*	G*	H	I	J	K	L	M	N
D320	269	62	274	239	156	102	229	45	54	272	237	100	227	35
D340	300	62	277	239	170	95	224	45	54	275	237	93	222	35
200x200	198	62	267	239	123	113	216	45	54	265	237	111	214	35
280x280	268	62	274	239	156	62	229	45	54	272	237	60	227	35
300x250	294	62	277	239	170	67	219	45	54	275	237	65	217	35
250x300	256	62	274	239	156	64	216	45	54	272	237	62	214	35
300x200	281	62	274	239	156	79	224	45	54	272	237	77	222	35
200x300	198	62	267	239	123	72	217	45	54	265	237	70	215	35
250x375	254	62	274	239	156	63	228	45	54	272	237	61	226	35

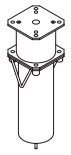
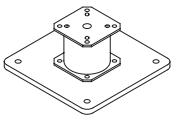
* for base GBASE003700 with wheels GRUOT000100 add 6 cm to every measure of the columns (C, D, F, G).

SIDE POST UMBRELLAS

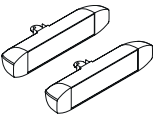
CODE	DESCRIPTION	UNIT PRICE IN €			
		Acrylic ecru A00 (without valances, with vent)	Solution dyed Acrylic (without valances, with vent)	Micro-mesh (without valances, without vent)	Airfim (with valances, with vent)
	CAPRI Vertical pole 7,6x7,6 cm made of powder-coated aluminum in silver (SILV), graphite (GRAF), white (BIAN) color, or teak wood with silver details (TEAK SILV) or in laminated hard wood with graphite details (LEG GRAF). Cantilever made of powder coated aluminum. Crank for easy opening. The unit can be rotated 360° around the base. Ribs can be changed singularly without disassembling the umbrella. Cover: square 300x300 - 350x350 cm, rectangular 300x350 - 350x300 - 300x400 - 400x300 cm, octagonal Ø 400 cm. Base is sold separately. Minimum recommended ballast on the base: 200 kg. 2 pkg. - wt. 35 kgs - vol. 0,26 m ³				
CAP#300300A	CAPRI 300x300 AL SILV/GRAF/BIAN	1.618	1.966	1.966	2.130
CAP#300300TS00	CAPRI 300x300 TEAK SILV	1.849	2.201	2.201	2.357
CAP#300300WG00	CAPRI 300x300 LEG GRAF	1.618	1.966	1.966	2.130
CAP#350350A	CAPRI 350x350 AL SILV/GRAF/BIAN	1.742	2.089	2.089	2.254
CAP#350350TS00	CAPRI 350x350 TEAK SILV	1.973	2.325	2.325	2.481
CAP#350350WG00	CAPRI 350x350 LEG GRAF	1.742	2.089	2.089	2.254
CAP#300350A	CAPRI 300x350 AL SILV/GRAF/BIAN (pole on the 3,5m side)	1.659	1.998	1.998	2.171
CAP#300350TS00	CAPRI 300x350 TEAK SILV (pole on the 3,5m side)	1.890	2.233	2.233	2.400
CAP#300350WG00	CAPRI 300x350 LEG GRAF (pole on the 3,5m side)	1.659	1.998	1.998	2.171
CAP#350300A	CAPRI 350x300 AL SILV/GRAF/BIAN (pole on the 3m side)	1.659	1.998	1.998	2.171
CAP#350300TS00	CAPRI 350x300 TEAK SILV (pole on the 3m side)	1.890	2.233	2.233	2.400
CAP#350300WG00	CAPRI 350x300 LEG GRAF (pole on the 3m side)	1.659	1.998	1.998	2.171
CAP#300400A	CAPRI 300x400 AL SILV/GRAF/BIAN (pole on the 4m side)	1.742	2.089	2.089	2.254
CAP#300400TS00	CAPRI 300x400 TEAK SILV (pole on the 4m side)	1.973	2.325	2.325	2.481
CAP#300400WG00	CAPRI 300x400 LEG GRAF (pole on the 4m side)	1.742	2.089	2.089	2.254
CAP#400300A	CAPRI 400x300 AL SILV/GRAF/BIAN (pole on the 3m side)	1.742	2.089	2.089	2.254
CAP#400300TS00	CAPRI 400x300 TEAK SILV (pole on the 3m side)	1.973	2.325	2.325	2.481
CAP#400300WG00	CAPRI 400x300 LEG GRAF (pole on the 3m side)	1.742	2.089	2.089	2.254
CAP#000400A	CAPRI D 400 AL SILV/GRAF/BIAN	1.742	2.089	2.089	2.254
CAP#000400TS00	CAPRI D 400 TEAK SILV	1.973	2.325	2.325	2.481
CAP#000400WG00	CAPRI D 400 LEG GRAF	1.742	2.089	2.089	2.254
	EXTRA COST FOR SOLUTION DYED ACRYLIC FABRIC VALANCES		197		
	EXTRA COST FOR SOLUTION DYED ACRYLIC FABRIC SPECIAL COLOR		+ 30%		
RCART000030	SPECIAL COLOR RAL (only RAL color chart)	ON REQUEST			
	PROTECTION COVER FOR CAPRI Grey Airfim protection cover with aluminum ribs. Fits all versions of the Capri parasol. To be fitted on the mounted and closed parasol. 1 pkg. - wt. 1,5 kgs - vol. 0,024 m ³	Airfim			
GFDAI000700	GRUPPO FODERO CAPRI CON ASTINA AIRFIM	251			

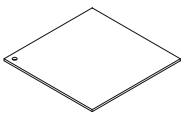
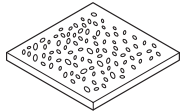
CAPRI BASES

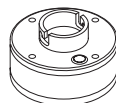
CODE	DESCRIPTION	UNIT PRICE IN €
	FREESTANDING BASE ALU 1 Rectangular base made of powder coated aluminum in silver (SILV), graphite (GRAF) or white (BIAN) color, with adjustable feet. Requires 50x50 cm concrete (10 pcs) or iron (10 pcs) tiles. Minimum recommended ballast: 200 kg. For complete measures see the end of the price-list. Price for 1 base. 1 pkg. - wt. 15,3 kgs - vol. 0,132 m ³	
GBASE003400	GRUPPO BASE PIASTRA ALU 1 SILV/GRAF/BIAN	656
	BASE COVER ALU 1 Cover made of powder coated aluminum in silver (SILV), graphite (GRAF) or white (BIAN) color. For GBASE003400. Price for 1 cover. 1 pkg. - wt. 11 kgs - vol. 0,132 m ³	
PCART001301	COPERTURA BASE PIASTRA ALU 1 SILV/GRAF/BIAN	539
	FREESTANDING BASE ALU 3 Demountable freestanding base made of powder-coated aluminum in silver (SILV), graphite (GRAF) or white (BIAN) color, with adjustable foot. Requires 50x50 cm concrete (10 pcs) or iron (10 pcs) tiles. Minimum recommended ballast: 200 kg. For complete measures see the end of the price-list. Price for 1 base. 1 pkg. - wt. 9,8 kgs - vol. 0,04 m ³	
GBASE004200	GRUPPO BASE ALU 3 H120 C/PIED SILV/GRAF/BIAN	324
	BASE COVER 50x50 Cover made of powder-coated aluminum in silver (SILV), graphite (GRAF) or white (BIAN) color. For GBASE004200. 2 pieces are required for each base. Price for 1 cover. 1 pkg. (2 pcs.) - wt. 5,5 kgs - vol. 0,06 m ³	
PCART002600	COPERTURA MATTONELLE 509x509 SP 108	148
	FREESTANDING BASE ALU 4 Square base made of powder coated aluminum in silver (SILV), graphite (GRAF) or white (BIAN) color, with adjustable feet. Requires 40x40 cm concrete tiles (12 pcs). Minimum recommended ballast: 200 kg. For complete measures see the end of the price-list. Price for 1 base. 1 pkg. - wt. 13 kgs - vol. 0,135 m ³	
GBASE003700	GRUPPO BASE P ALU 4 80x80 SILV/GRAF/BIAN	612
	BASE COVER 40x40 Cover made of powder coated aluminum in silver (SILV), graphite (GRAF) or white (BIAN) color. For GBASE003700. 4 pieces are required for each base. Price for 1 cover. 2 pkg. (4 pcs.) - wt. 6 kgs - vol. 0,03 m ³	
PCART002300	COPERTURA PER MATTONELLE 409x409 SP60	148
	SET OF WHEELS FOR BASE ALU 4 Set of 4 double-wheels with locking system for GBASE003700. For complete measures see the end of the price-list. Price for 4 wheels. 1 pkg. - wt. 1,3 kgs - vol. 0,007 m ³	
GRUOT000100	GRUPPO KIT RUOTE D50 X BASE P ALU 4 80X80	97

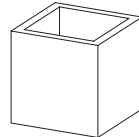
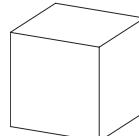
	GROUND INSERT BASE WITH EXTENTION Zinc plated steel ground insert base with extension piece (height 13 cm), in silver (SILV), graphite (GRAF) or white (BIAN) color. Supplied with fixing screws. For complete measures see the end of the price-list. Price for 1 base. 1 pkg. - wt. 4,7 kgs - vol. 0,012 m ³	
GBASE000900	GRUPPO BASE STYLO UNIV+PR SILV/GRAF/BIAN	239
	SURFACE MOUNT PLATE WITH EXTENTION Galvanized and powder coated steel plate 30x30 cm, thickness 1,5 cm with extension piece (height 13 cm) in silver (SILV), graphite (GRAF) or white (BIAN) color. It must be fixed to the ground by 4 chemical anchors (not supplied). For complete measures see the end of the price-list. Price for 1 base. 2 pkg. - wt. 13,4 kgs - vol. 0,018 m ³	
GBASE005800	GRUPPO PIASTRA GROUND 300X300 C/PROLUNGA BASE STYLO	561

CAPRI ACCESSORIES

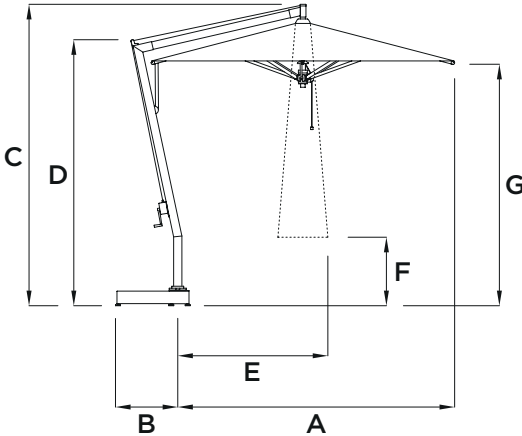
CODE	DESCRIPTION	UNIT PRICE IN €
	HEATERS FOR CAPRI Heaters with direct connection ON/OFF by plug in, micaceous color, 220V tension, 2000W power, protection rating IPX5. Heating area for each heater: ~ 12/15 m ² - 129/161 ft ² . Set made of 2 heaters. Supplied with fixing system. Price for 2 heaters. 4 pkg. - wt. 7 kgs - vol. 0,042 m ³	
GRISC000400	KIT 2 RISCALDAT CHI1 2000W-STAFFA PANTOGRAFO-CAPRI-SOLEADO	1.328

CODE	DESCRIPTION	UNIT PRICE IN €
	STEEL PLATE Zinc plated iron ballast plate. 50x50x1 cm (20 kg) for GBASE003400 and GBASE004200. Price for 1 iron plate.	
PPIAS003900	PIASTRA 500X500 SP10 ZAVORRA (IRON PLATES)	214
	CONCRETE BLOCK Concrete ballast block. 40x40x4 cm (15 kg) for GBASE003700. 50x50x4 cm (22 kg) for GBASE003400 and GBASE004200. Price for 1 concrete block.	
PGFG04040	PIASTRELLA GHIAINO FINE GRIGIO 40X40	21
PGFG05050	PIASTRELLA GHIAINO FINE GRIGIO 50X50	21

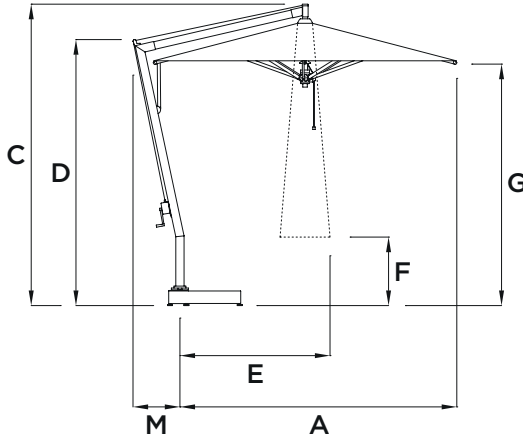
CODE	DESCRIPTION	UNIT PRICE IN €
	ROUND LED LIGHTING LED lighting supplied with USB cable for charging, charger included, lithium battery, 3W power, 280 Lumen. Usage time: ~ 8 hours. Coupling on the lower hub. NET Price for 1 lamp. 1 pkg. - wt. 1 kgs - vol. 0,003 m ³	
GLAMP000200	LAMPADA ROUND PER CAPRI - RODI - CONTRACT BIANCO	384 NET

CODE	DESCRIPTION	UNIT PRICE IN €
	VASE Decorative vase made of polyethylene to be used as a ballast. Black or white colors. 50x50x50cm for GBASE003400 and GBASE004200. 40x40x40 cm for GBASE003700. Price for 1 vase. 1 pkg. - wt. 9 kgs - vol. 0,166 m ³	
CACCE000100	VASO 40X40X40 BIANCO O NERO	204
CACCE000100	VASO 50X50X50 BIANCO O NERO	305
	CUBE Decorative cube made of polyethylene to be used as a seat. Black or white colors. 50x50x50 cm for GBASE003400 and GBASE004200. 40x40x40 cm for GBASE003700. Price for 1 cube. 1 pkg. - wt. 8 kgs - vol. 0,166 m ³	
CACCE000200	CUBE 40X40X40 BIANCO O NERO	204
CACCE000200	CUBE 50X50X50 BIANCO O NERO	305

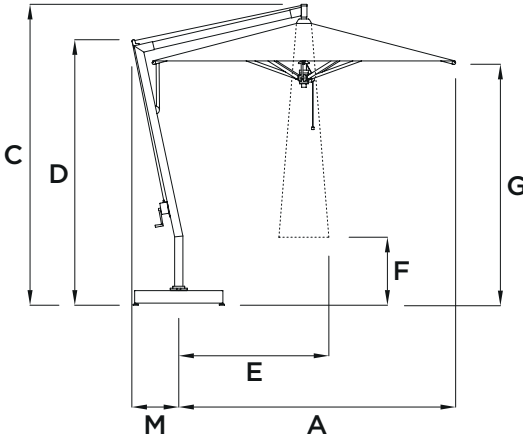
CAPRI - FREESTANDING BASE ALU 1
GBASE003400 - back



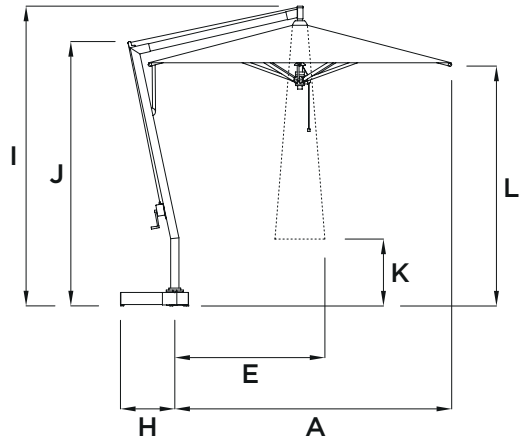
CAPRI - FREESTANDING BASE ALU 1
GBASE003400 - front



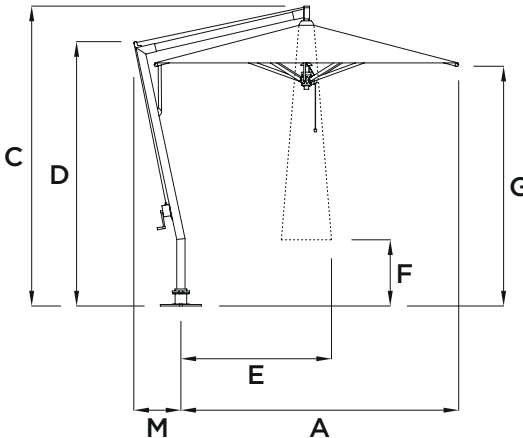
CAPRI - FREESTANDING BASE ALU 4
GBASE003700



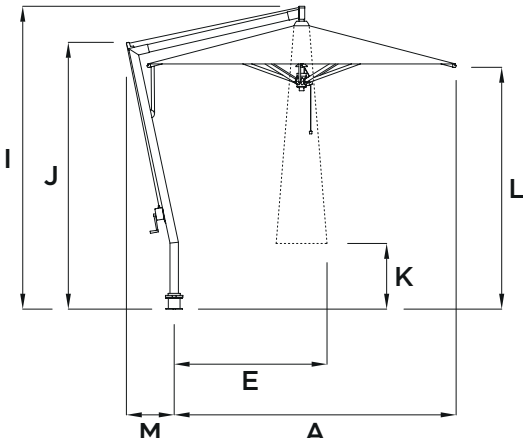
CAPRI - FREESTANDING BASE ALU 3
GBASE004200



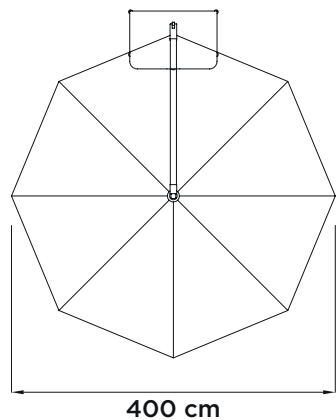
CAPRI - SURFACE MOUNT PLATE
GBASE005800



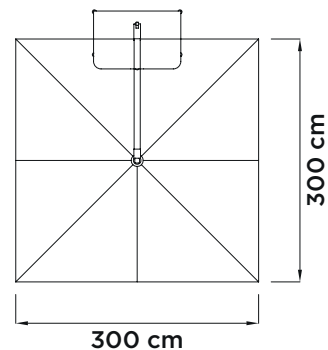
CAPRI - GROUND INSERT BASE
GBASE000900



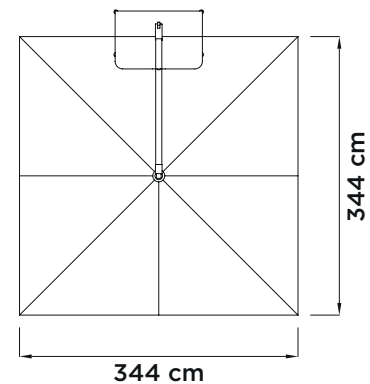
CAPRI D400



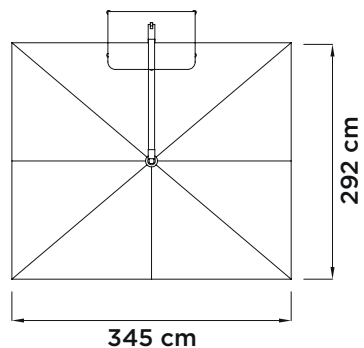
CAPRI 300x300



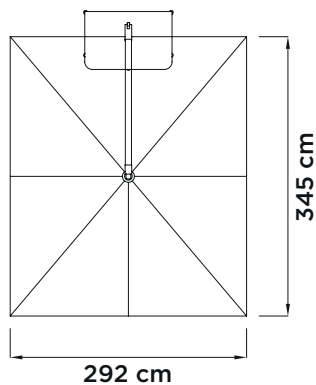
CAPRI 350x350



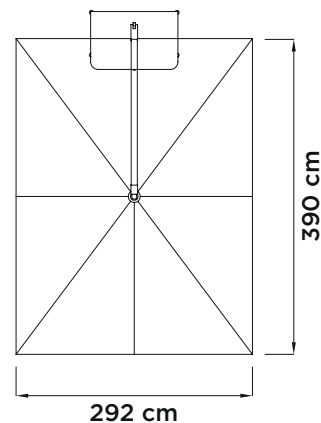
CAPRI 300x350



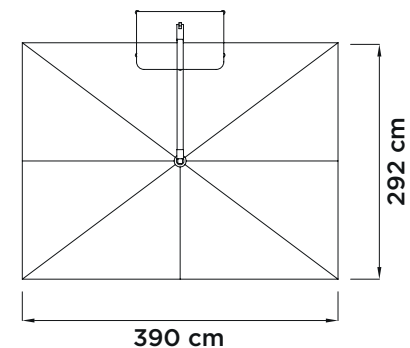
CAPRI 350x300



CAPRI 400x300



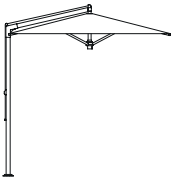

CAPRI 300x400



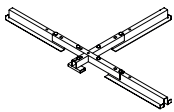
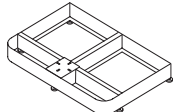
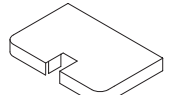
CAPRI MEASURES													
SIZE (cm)	A	B	C*	D*	E	F*	G*	H	I	J	K	L	M
300x300	274	62	299	264	149	68	240	54	297	262	66	238	47
350x350	315	62	304	264	171	36	227	54	302	262	34	225	47
300x350	270	62	299	264	143	52	230	54	297	262	50	228	47
350x300	316	62	304	264	162	56	234	54	302	262	54	232	47
300x400	270	62	299	264	149	32	238	54	297	262	30	236	47
400x300	363	62	309	264	193	42	248	54	307	262	40	246	47
D400	368	62	309	264	200	86	248	54	307	262	84	246	47

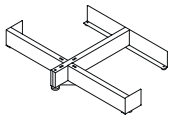
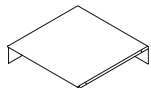
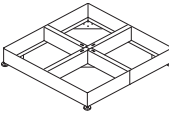
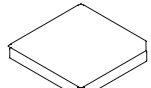
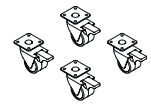
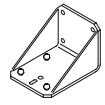
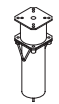
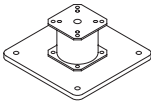
* for base GBASE003700 with wheels GRUOT000100 add 6 cm to every measure of the columns (C, D, F, G).

SIDE POST UMBRELLAS

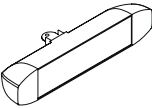
CODE	DESCRIPTION	UNIT PRICE IN €	
		Olefim (without valances, with vent)	Solution dyed Acrylic (without valances, with vent)
	RIO Aluminum powder coated structure in graphite (GRAF) or white (BIAN) color. Pole section 6,4x6,4 cm. The unit can be rotated 360° around the base. Ribs can be changed singularly without disassembling the umbrella. Pulley opening. Cover: square 200x200 - 260x260 cm, rectangular 200x300 and hexagonal Ø 300 cm. Base is sold separately. Minimum recommended ballast on the base: 120 kg. 1 pkg. - wt. 13,3 kgs - vol. 0,12 m ³		
RIO#200200A	RIO 200X200 AL GRAF/BIAN	723	922
RIO#200300A	RIO 200X300 AL GRAF/BIAN (pole on the 3m side)	752	959
RIO#260260A	RIO 260X260 AL GRAF/BIAN	738	944
RIO#000300A	RIO D300 GRAF/BIAN	752	959
	EXTRA COST FOR SOLUTION DYED ACRYLIC FABRIC SPECIAL COLOR		+ 38%
RCART000030	SPECIAL COLOR RAL (only RAL color chart)	ON REQUEST	
	PROTECTION COVER FOR RIO Grey Airfim protection cover with aluminum ribs. Fits all versions of the Rio parasol. To be fitted on the mounted and closed parasol. 1 pkg. - wt. 1,5 kgs - vol. 0,003 m ³	Airfim	
GFDAI000600	GRUPPO FODERO ISCHIA-RIO CON ASTINA AIRFIM	194	

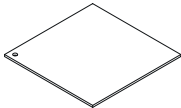
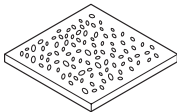
RIO BASES


CODE	DESCRIPTION	UNIT PRICE IN €
	FREESTANDING BASE FE A3 Adjustable freestanding base made of powder coated steel in graphite (GRAF) or white (BIAN) color. Adaptable for concrete tiles 40x40 cm (8 pcs), 46x46 cm (8 pcs) and concrete or iron tiles 50x50 cm (6 pcs). Minimum recommended weight: 120 kg. For complete measures see end of price-list. Price for 1 base. 1 pkg. - wt. 3,5 kgs - vol. 0,006 m ³	
GBASE001500	GRUPPO BASE FE A3 GRAF/BIAN	129
	FREESTANDING BASE ALU 1 Rectangular base made of powder coated aluminum in graphite (GRAF) or white (BIAN) color, with adjustable feet. Requires 50x50 cm concrete (6 pcs) or iron (6 pcs) tiles. Minimum recommended ballast: 120 kg. For complete measures see the end of the price-list. Price for 1 base. 1 pkg. - wt. 15,3 kgs - vol. 0,132 m ³	
GBASE003400	GRUPPO BASE PIASTRA ALU 1 SILV/GRAF/BIAN	656
	BASE COVER ALU 1 Cover made of powder coated aluminum in graphite (GRAF) or white (BIAN) color. For GBASE003400. Price for 1 cover. 1 pkg. - wt. 11 kgs - vol. 0,132 m ³	
PCART001301	COPERTURA BASE PIASTRA ALU 1 SILV/GRAF/BIAN	539

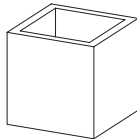
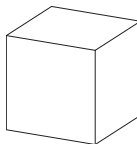
	<p>FREESTANDING BASE ALU 3 Demountable freestanding base made of powder-coated aluminum in graphite (GRAF) or white (BIAN) color, with adjustable foot. Requires 50x50 cm concrete (6 pcs) or iron (6 pcs) tiles. Minimum recommended ballast: 120 kg. For complete measures see the end of the price-list. Price for 1 base. 1 pkg. - wt. 9,8 kgs - vol. 0,04 m³</p>	
GBASE004200	GRUPPO BASE ALU 3 H120 C/PIED SILV/GRAF/BIAN	324
	<p>BASE COVER 50x50 Cover made of powder-coated aluminum in graphite (GRAF) or white (BIAN) color. For GBASE004200. 2 pieces are required for each base. Price for 1 cover. 1 pkg. (2 pcs.) - wt. 5,5 kgs - vol. 0,06 m³</p>	
PCART002600	COPERTURA MATTONELLE 509x509 SP 108	148
	<p>FREESTANDING BASE ALU 4 Square base made of powder coated aluminum in graphite (GRAF) or white (BIAN) color, with adjustable feet. Requires 40x40 cm concrete tiles (8 pcs). Minimum recommended ballast: 120 kg. For complete measures see the end of the price-list. Price for 1 base. 1 pkg. - wt. 13 kgs - vol. 0,135 m³</p>	
GBASE003700	GRUPPO BASE P ALU 4 80x80 SILV/GRAF/BIAN	612
	<p>BASE COVER 40x40 Aluminum cover made of powder coated aluminum in graphite (GRAF) or white (BIAN) color. For GBASE003700. 4 pieces are required for each base. Price for 1 cover. 2 pkg. (4 pcs.) - wt. 6 kgs - vol. 0.03 m³</p>	
PCART002300	COPERTURA PER MATTONELLE 409x409 SP60	148
	<p>SET OF WHEELS FOR BASE ALU 4 Set of 4 double-wheels with locking system for GBASE003700. For complete measures see the end of the price-list. Price for 4 wheels. 1 pkg. - wt. 1,3 kgs - vol. 0,007 m³</p>	
GRUOT000100	GRUPPO KIT RUOTE D50 X BASE P ALU 4 80X80	97
	<p>WALL MOUNT BASE FOR RIO Galvanized steel base in graphite (GRAF) or white (BIAN) color. It must be fixed only to full concrete walls with 4 chemical anchors (not supplied). For complete measures see the end of the price-list. Price for 1 base. 1 pkg. - wt. 4 kgs - vol. 0,005 m³</p>	
GBASE001800	GRUPPO BASE FISSAGGIO MURO RIO	162
	<p>GROUND INSERT BASE WITH EXTENTION Zinc plated steel ground insert base with extension piece (height 13 cm) in graphite (GRAF) or white (BIAN) color. Supplied with fixing screws. For complete measures see the end of the price-list. Price for 1 base. 1 pkg. - wt. 4,7 kgs - vol. 0,012 m³</p>	
GBASE000900	GRUPPO BASE STYLO UNIV+PR SILV/GRAF/BIAN	239
	<p>SURFACE MOUNT PLATE WITH EXTENTION Galvanized and powder coated steel plate 30x30 cm, thickness 1,5 cm with extension piece (height 13 cm) in graphite (GRAF) or white (BIAN) color. It must be fixed to the ground by 4 chemical anchors (not supplied). For complete measures see the end of the price-list. Price for 1 base. 2 pkg. - wt. 13,4 kgs - vol. 0,018 m³</p>	
GBASE005800	GRUPPO PIASTRA GROUND 300X300 C/PROLUNGA BASE STYLO	561

RIO ACCESSORIES

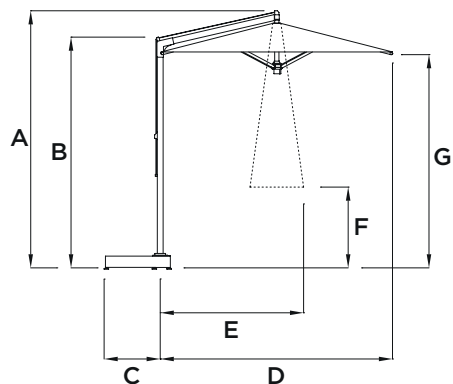
CODE	DESCRIPTION	UNIT PRICE IN €
	HEATER FOR RIO Heater with direct connection ON/OFF by plug in, micaceous color, 220V tension, 2000W power, protection rating IPX5. Heating area: ~ 12/15 m ² - 129/161 ft ² . Set made of 1 heater. Supplied with fixing system. Price for 1 heater. 2 pkg. - wt. 3,5 kgs - vol. 0,021 m ³	
GRISC000300	KIT 1 RISCALDAT H11 2000W-STAFFA PANTOGRAFO X ISCHIA-RIO	664

CODE	DESCRIPTION	UNIT PRICE IN €
	STEEL PLATE Zinc plated iron ballast plate. 50x50x1 cm (20 kg) for GBASE003400 and GBASE004200. Price for 1 iron plate.	
PPIAS003900	PIASTRA 500X500 SP10 ZAVORRA (IRON PLATES)	214
	CONCRETE BLOCK Concrete ballast block. 40x40x4 cm (15 kg) for GBASE003700 and GBASE001500. 50x50x4 cm (22 kg) for GBASE003400, GBASE001500 and GBASE004200. Price for 1 concrete block.	
PGFG04040	PIASTRELLA GHIAINO FINE GRIGIO 40X40	21
PGFG05050	PIASTRELLA GHIAINO FINE GRIGIO 50X50	21

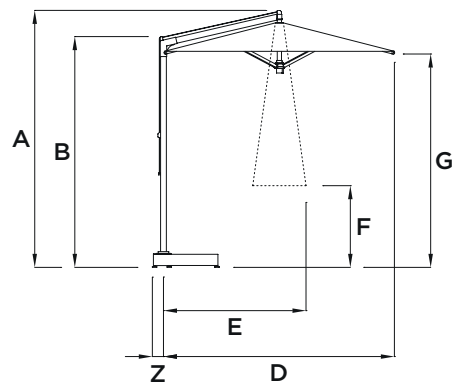
CODE	DESCRIPTION	UNIT PRICE IN €
	ROUND LED LIGHTING LED lighting supplied with USB cable for charging, charger included, lithium battery, 3W power, 280 Lumen. Usage time: ~ 8 hours. Coupling on the lower hub. NET Price for 1 lamp. 1 pkg. - wt. 1 kgs - vol. 0,003 m ³	
GLAMP000300	LAMPADA ROUND PER ISCHIA-GARDA-RIO-SOLEADO PL BIANCO	384 NET

CODE	DESCRIPTION	UNIT PRICE IN €
	VASE Decorative vase made of polyethylene to be used as a ballast. Black or white colors. 50x50x50 cm for GBASE003400, GBASE004200 and GBASE001500. 40x40x40 cm for GBASE003700 and GBASE001500. Price for 1 vase. 1 pkg. - wt. 9 kgs - vol. 0,166 m ³	
CACCE000100	VASO 40X40X40 BIANCO O NERO	204
CACCE000100	VASO 50X50X50 BIANCO O NERO	305
	CUBE Decorative cube made of polyethylene to be used as a seat. Black or white colors. 50x50x50 cm for GBASE003400, GBASE004200 and GBASE001500. 40x40x40 cm for GBASE003700 and GBASE001500. Price for 1 cube. 1 pkg. - wt. 8 kgs - vol. 0,166 m ³	
CACCE000200	CUBE 40X40X40 BIANCO O NERO	204
CACCE000200	CUBE 50X50X50 BIANCO O NERO	305

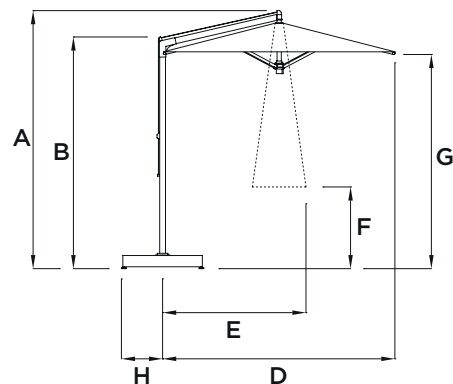
RIO - FREESTANDING BASE ALU 1
GBASE003400 - back



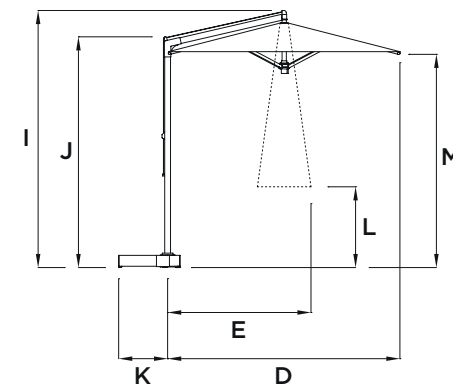
RIO - FREESTANDING BASE ALU 1
GBASE003400 - front



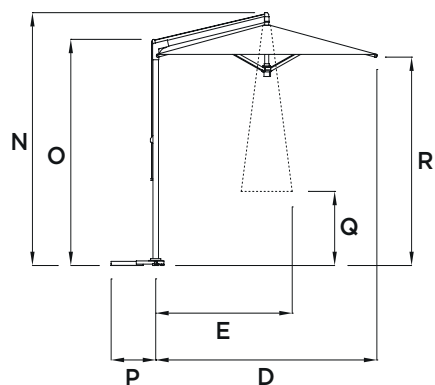
RIO - FREESTANDING BASE ALU 4
GBASE003700



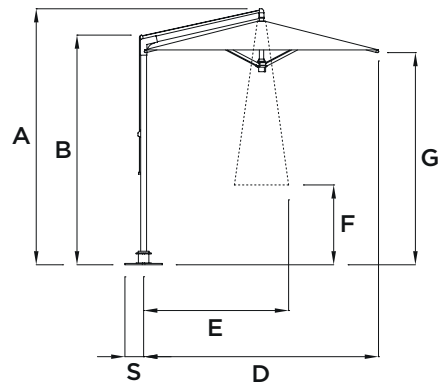
RIO - FREESTANDING BASE ALU 3
GBASE004200



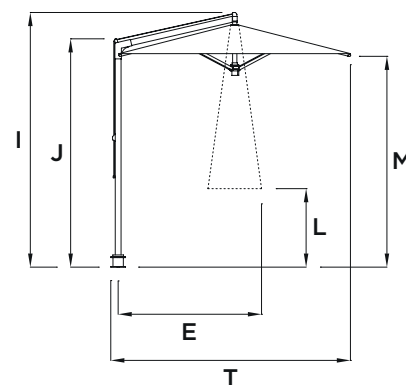
RIO - FREESTANDING BASE FE A3
GBASE001500



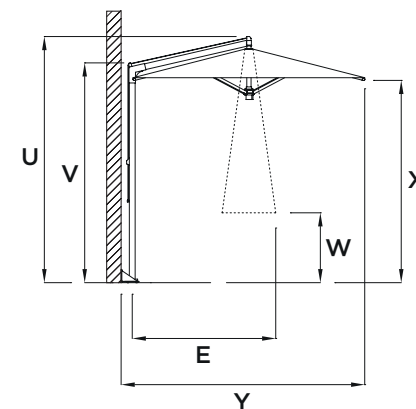
RIO - SURFACE MOUNT PLATE
GBASE005800



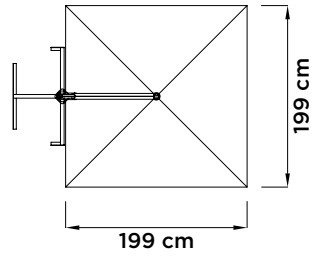
RIO - GROUND INSERT BASE
GBASE000900



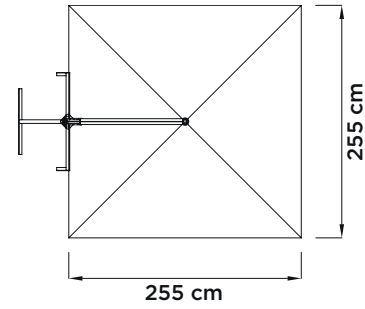
RIO - WALL MOUNT BASE
GBASE001800



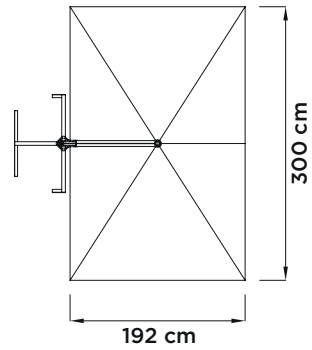
RIO 200X200



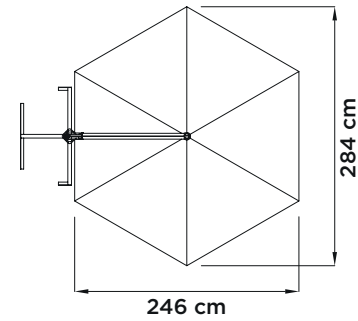
RIO 260X260



RIO 200X300



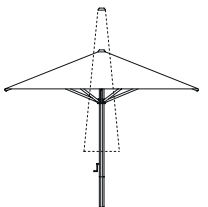
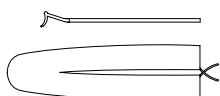
RIO D300



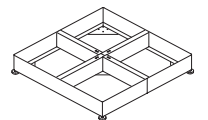
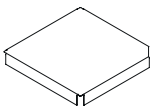
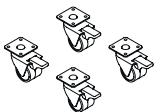
RIO MEASURES																										
SIZE (cm)	A*	B*	C	D	E	F*	G*	H	I	J	K	L	M	N	O	P	Q	R	S	T	U	V	W	X	Y	Z
D300	285	256	62	251	156	124	229	45	283	254	54	122	227	275	246	52	114	219	20	260	271	242	110	215	264	12
200x200	279	256	62	203	128	125	229	45	277	254	54	123	227	269	246	52	115	219	20	211	265	242	111	215	215	12
200x300	279	256	62	199	127	116	231	45	277	254	54	114	229	269	246	52	106	221	20	207	265	242	102	217	211	12
260x260	285	256	62	256	158	91	236	45	283	254	54	89	234	275	246	52	81	226	20	264	271	242	77	222	268	12


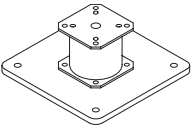
* for base GBASE003700 with wheels GRUOT000100 add 6 cm to every measure of the columns (A, B, F, G).

ALUMINUM MAXI CENTRAL POST TELESCOPIC UMBRELLAS

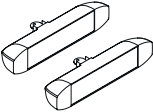
CODE	DESCRIPTION	UNIT PRICE IN €			
		Acrylic ecru A00 (without valances, with vent)	Solution dyed Acrylic (without valances, with vent)	Micro-mesh (without valances, without vent)	Airfim (with valances, with vent)
	MAXI Aluminum frame made of powder coated aluminum silver (SILV), graphite (GRAF) or white (BIAN) color. Crank for easy opening. Aluminum ribs can be changed singularly without disassembling the umbrella. The telescopic mechanism allows the closing of the umbrella even with furniture underneath. Cover: square 400x400 cm or octagonal Ø 560 cm. Base is sold separately. Minimum recommended ballast on the base: 200 kg. 2 pkg. - wt. 36,5 kgs - vol. 0,21 m ³				
MAX#400400A	MAXI 400X400 AL SILV/GRAF/BIAN	3.843	3.864	3.864	3.864
MAX#000560A	MAXI D560 AL SILV/GRAF/BIAN	3.843	3.864	3.864	3.864
	EXTRA COST FOR VALANCE SOLUTION DYED ACRYLIC FABRIC		238		
	EXTRA COST FOR SOLUTION DYED ACRYLIC FABRIC SPECIAL COLOR		+ 21%		
RCART000030	SPECIAL COLOR RAL (only RAL color chart)	ON REQUEST			
	PROTECTION COVER FOR MAXI Grey Airfim protection cover with zip and telescopic stick. To be fitted on the mounted and closed parasol. 1 pkg. - wt. 1,5 kgs - vol. 0,017 m ³	Airfim			
GFBAI000300	GRUPPO FODERO AIRTEX BASTONE MAXI-MONTECARLO-REF TELESCOPICO	273			

MAXI BASES

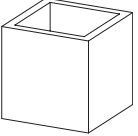
CODE	DESCRIPTION	UNIT PRICE IN €
	FREESTANDING BASE ALU 4 Square base made of powder coated aluminum in silver (SILV), graphite (GRAF) or white (BIAN) color, with adjustable feet. Requires 40x40 cm concrete tiles (12 pcs). Minimum recommended ballast: 200 kg. For complete measures see the end of the price-list. Price for 1 base. 1 pkg. - wt. 13 kgs - vol. 0,135 m ³	
GBASE003700	GRUPPO BASE P ALU 4 80x80 SILV/GRAF/BIAN	612
	BASE COVER 40x40 Cover made of powder coated aluminum in silver (SILV), graphite (GRAF) or white (BIAN) color. For GBASE003700. 4 pieces are required for each base. Price for 1 cover. 2 pkg. (4 pcs.) - wt. 6 kgs - vol. 0,03 m ³	
PCART002300	COPERTURA PER MATTONELLE 409x409 SP60	148
	SET OF WHEELS FOR BASE ALU 4 Set of 4 double-wheels with locking system for GBASE003700. For complete measures see the end of the price-list. Price for 4 wheels. 1 pkg. - wt. 1,3 kgs - vol. 0,007 m ³	
GRUOT000100	GRUPPO KIT RUOTE D50 X BASE P ALU 4 80X80	97

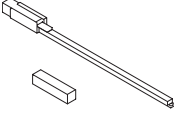
	<p>GROUND INSERT BASE WITH EXTENTION Zinc plated steel ground insert base with silver (SILV), graphite (GRAF) or white (BIAN) extension piece (height 13 cm). Supplied with fixing screws. For complete measures see the end of the price-list. Price for 1 base. 1 pkg. - wt. 4,7 kgs - vol. 0,012 m³</p>	
<p>GBASE000900</p>	<p>GRUPPO BASE STYLO UNIV+PR SILV/GRAF/BIAN</p>	<p>239</p>
	<p>SURFACE MOUNT PLATE WITH EXTENTION Galvanized and powder coated square steel plate 30x30 cm, thickness 1,5 cm with extension piece (height 13 cm) in silver (SILV), graphite (GRAF) or white (BIAN) color. It must be fixed to the ground by 4 chemical anchors (not supplied). For complete measures see the end of the price-list. Price for 1 base. 2 pkg. - wt. 17,5 kgs - vol. 0,025 m³</p>	
<p>GBASE005800</p>	<p>GRUPPO PIASTRA GROUND 300X300 C/ PROLUNGA BASE STYLO</p>	<p>561</p>

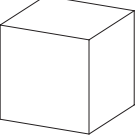
MAXI ACCESSORIES

CODE	DESCRIPTION	UNIT PRICE IN €
	<p>HEATERS FOR MAXI Heaters with direct connection ON/OFF by plug in, micaceous color, 220V tension, 2000W power, protection rating IPX5. Heating area for each heater: ~ 12/15 m² - 129/161 ft². Set made of 2 heaters. Supplied with fixing system. Price for 2 Heaters. 2 pkg. - wt. 4 kgs - vol. 0,03 m³</p>	
<p>GRISC000100</p>	<p>KIT 2 RISCALDAT H11 2000W-STAFFA STECCHE X MAXI-REFLEX-RODI</p>	<p>927</p>

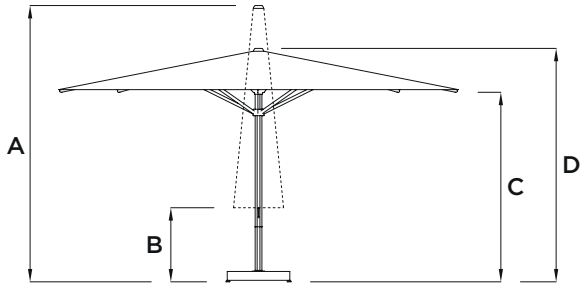
CODE	DESCRIPTION	UNIT PRICE IN €
	<p>CONCRETE BLOCK Concrete ballast block. 40x40x4 cm (15 kg) for GBASE003700. Price for 1 concrete block.</p>	
<p>PGFG04040</p>	<p>PIASTRELLA GHIAINO FINE GRIGIO 40X40</p>	<p>21</p>

CODE	DESCRIPTION	UNIT PRICE IN €
	<p>VASE Decorative vase made of polyethylene to be used as a ballast. Black or white colors. 40x40x40 cm for GBASE003700. Price for 1 vase. 1 pkg. - wt. 9 kgs - vol. 0,166 m³</p>	
<p>CACCE000100</p>	<p>VASO 40X40X40 BIANCO O NERO</p>	<p>204</p>

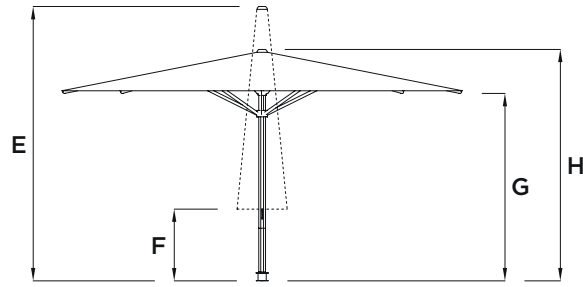
	<p>STICK LED LIGHTING Rechargeable LED stripe (length: 60 cm / 24 inches), supplied with USB cable for charging, charger ncluded, lithium battery, power 2.4 WATT, 240 Lu-men. Usage time: ~ 6 hours. To be fixed with 3 screws on the ribs. NET Price for 1 stick. 1 pkg. - wt. 1 kgs - vol. 0,008 m³</p>	
<p>GLAMP000500</p>	<p>STICK LAMPADA DOPPIA BATTERIA</p>	<p>354 NET</p>

	<p>CUBE Decorative cube made of polyethylene to be used as a seat. Black or white colors. 40x40x40 cm for GBASE003700. Price for 1 cube. 1 pkg. - wt. 8 kgs - vol. 0,166 m³</p>	
<p>CACCE000200</p>	<p>CUBE 40X40X40 BIANCO O NERO</p>	<p>204</p>

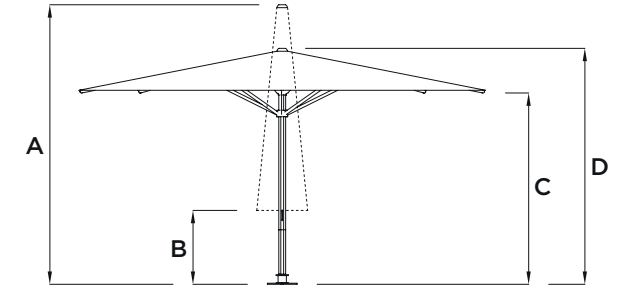
MAXI - FREESTANDING BASE ALU 4
GBASE003700



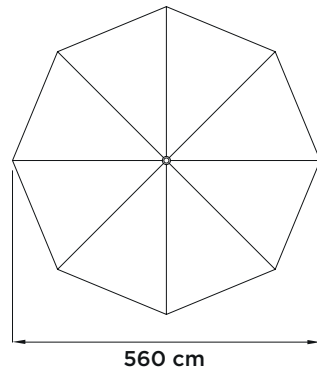
MAXI - GROUND INSERT BASE
GBASE000900



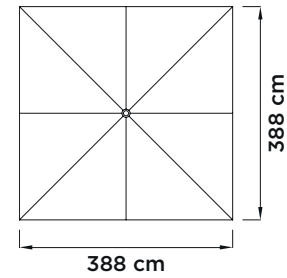
MAXI - SURFACE MOUNT PLATE
GBASE006500



MAXI D560



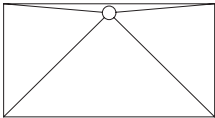
MAXI 400x400




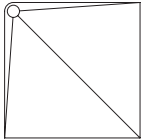
MAXI MEASURES								
SIZE (cm)	A*	B*	C*	D*	E	F	G	H
400x400	387	104	249	331	385	102	247	329
D560	387	104	265	327	385	102	263	325


*for base GBASE003700 with wheels GRUOT000100 add 6 cm to every measure of the columns (A, B, C, D).

WALL AND CORNER POST UMBRELLAS

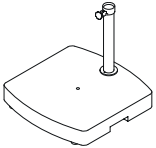
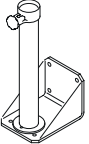
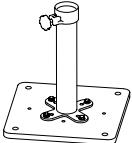
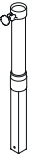
CODE	DESCRIPTION	UNIT PRICE IN €		
		Acrylic ecru A00	Solution dyed Acrylic	Airfim
	WALL Aluminum frame made of powder coated aluminum in graphite (GRAF) color. The pole is placed by side, allowing to put the umbrella nearby the wall. Pole Ø 5 cm, easy pulley opening. Ribs can be changed singularly without disassembling the umbrella. Cover: rectangular 100x200 cm - 150x280 cm - 200x400 cm. Base is sold separately. 1 pkg. - wt. 11,7 kgs - vol. 0,109 m ³	(without valances, without vent)	(without valances, without vent)	(without valances, with vent)
WAL#100200AGSB	WALL 100X200 AL GRAF	919	1.009	931
WAL#150280AGSB	WALL 150X280 AL GRAF	1.024	1.167	1.041
WAL#200400AGSB	WALL 200X400 AL GRAF	1.282	1.580	1.306
	EXTRA COST FOR SOLUTION DYED ACRYLIC FABRIC SPECIAL COLOR		+ 35%	
RCART000030	SPECIAL COLOR RAL (only RAL color chart)	ON REQUEST		

	PROTECTION COVER FOR WALL 100x200 - 150x280 Grey Airfim protection cover. To be fitted on the mounted and closed parasol. Suitable for 100x200 - 150x280. 1 pkg. - wt. 1 kgs - vol. 0,005 m ³	Airfim		
GFSAI000100	GRUPPO FODERO SACCO Ø 250 - 300 - 350 - 400 - 300X300 - 200X300 - 200X200 - 240x240 - WALL 150X280 - 100x200	102		

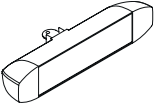
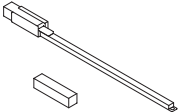
CODE	DESCRIPTION	UNIT PRICE IN €		
		Acrylic ecru A00	Solution dyed Acrylic	Airfim
	WALL CORNER Aluminum frame made of powder coated aluminum in graphite (GRAF) color. The pole is placed in the angle, allowing to put the umbrella nearby a corner. Pole Ø 5 cm, easy pulley opening. Ribs can be changed singularly without disassembling the umbrella. Cover: 200x200 cm. Base is sold separately. 1 pkg. - wt. 9,5 kgs - vol. 0,109 m ³	(without valances, without vent)	(without valances, without vent)	(without valances, with vent)
WAL#200200AGSB	WALL 200X200 AL GRAF	1.113	1.300	1.137
	EXTRA COST FOR SOLUTION DYED ACRYLIC FABRIC SPECIAL COLOR		+ 35%	
RCART000030	SPECIAL COLOR RAL (only RAL color chart)	ON REQUEST		

	PROTECTION COVER FOR WALL 200x400 - 200x200 Grey Airfim protection cover. To be fitted on the mounted and closed parasol. Suitable for 200x400 - 200x200. 1 pkg. - wt. 1 kgs - vol. 0,005 m ³	Airfim		
GFSAI000200	GRUPPO FODERO WALL 200x200 - 200x400 - LIP 300x400	137		

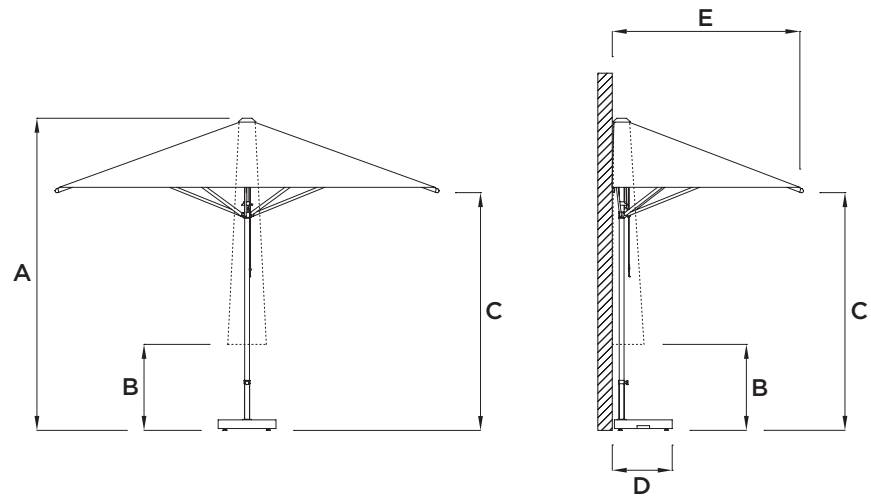
WALL BASES

CODE	DESCRIPTION	UNIT PRICE IN €
	FREESTANDING CONCRETE BASE FOR WALL Square gray concrete base with adjustable feet. Dimension: 59x59 cm. Weight: 60 kg. Stainless steel tube on the side. For complete measures see the end of the price-list. Price for 1 base. 1 pkg. - wt. 61 kgs - vol. 0,049 m ³	
GBASE004800	GRUPPO BASE CEMENTO 59X59 KG60 C/TRONCHETTO INOX 25/52	486
	WALL MOUNT BASE WITH TUBE Galvanized and powder coated steel base in graphite (GRAF) color, with aluminum powder coated tube in graphite (GRAF) color. It must be fixed only to full concrete walls with 4 chemical anchors (not supplied). For complete measures see end of price-list. Price for 1 base. 2 pkg. - wt. 4 kgs - vol. 0,01 m ³	
GBASE006400	GRUPPO BASE FISSAGGIO MURO CON TRONCHETTO WALL	200
	SURFACE MOUNT PLATE WITH TUBE Galvanized and powder coated square steel base and steel tube in graphite (GRAF) color. Dimension: 30x30x1,5 cm. It must be fixed to the ground with 4 chemical anchors (not supplied). For complete measures see the end of the price-list. Price for 1 base. 2 pkg. - wt. 13,4 kgs - vol. 0,02 m ³	
GBASE007500	GRUPPO PIASTRA GROUND 300X300 C/TRONCHETTO ARONA	378
	GROUND INSERT BASE STYLO C Galvanized steel base to be set into concrete. Screwable upper tube in powder coated steel in silver (SILV), graphite (GRAF) or white (BIAN) color. For complete measures see the end of the price-list. Price for 1 base. 1 pkg. - wt. 2 kgs - vol. 0,006 m ³	
GBASE001200	GRUPPO BASE STYLO 50 C SILV/GRAF/BIAN	102

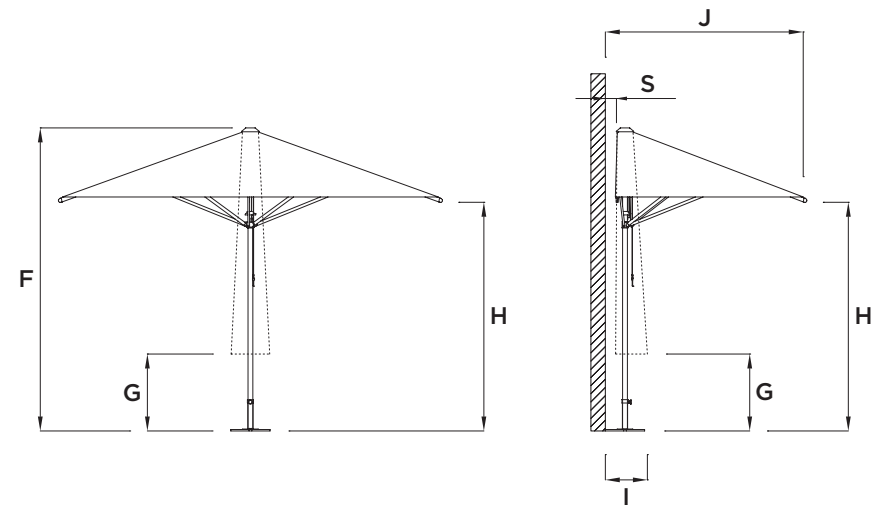
WALL ACCESSORIES

CODE	DESCRIPTION	UNIT PRICE IN €	CODE	DESCRIPTION	UNIT PRICE IN €
	HEATER FOR WALL Heater with direct connection ON/OFF by plug in, micaceous color, 220V tension, 2000W power, protection rating IPX5. eating area: ~ 12/15 m ² - 129/161 ft ² . Supplied with fixing system. Set made of 1 heater. Price for 1 heater. 1 pkg. - wt. 2 kgs - vol. 0,015 m ³			STICK LED LIGHTING Rechargeable LED stripe (length: 60 cm / 24 inches), supplied with USB cable for charging, charger included, lithium battery, power 2.4 WATT, 240 Lumen. Usage time: ~ 6 hours. To be fixed with 3 screws on the ribs. NET Price for 1 stick. 1 pkg. - wt. 1 kgs - vol. 0,008 m ³	
GRISCO00200	KIT 1 RISCALDAT H11 2000W-STAFFA STECCHE X WALL	463	GLAMP000500	STICK LAMPADA DOPPIA BATTERIA	354 NET

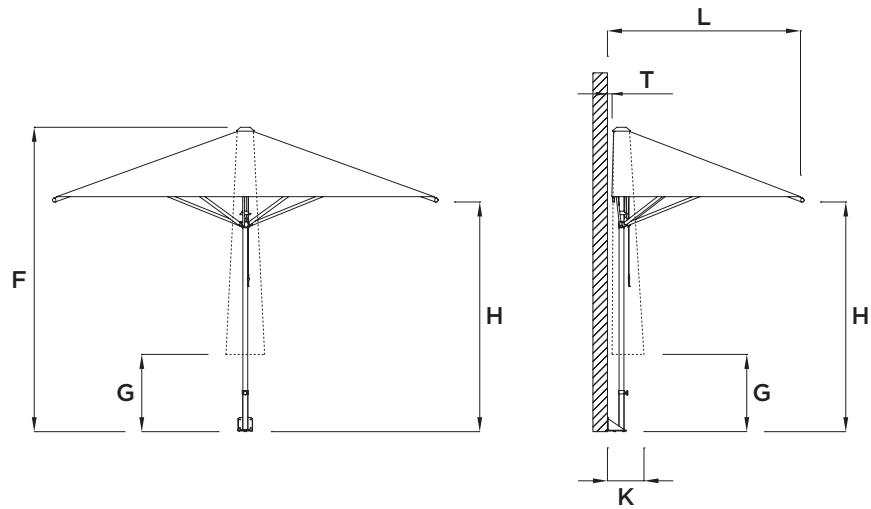
WALL - FREESTANDING CONCRETE BASE FOR WALL
GBASE004800



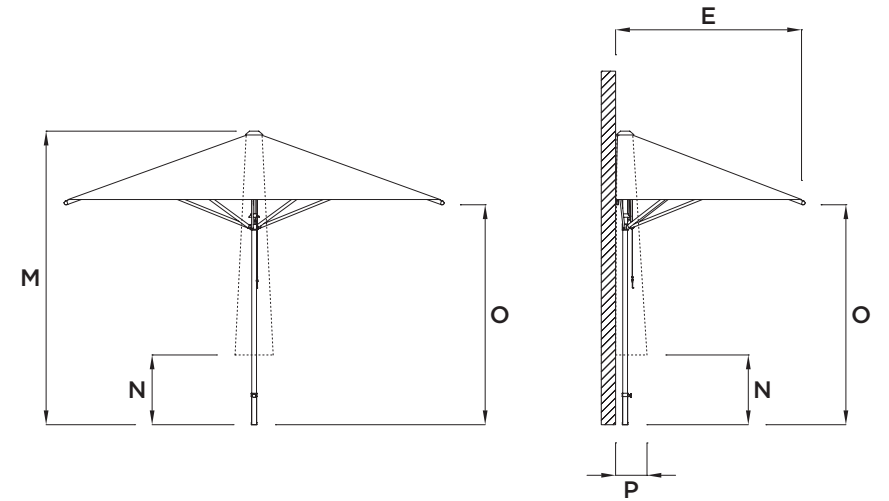
WALL - SURFACE MOUNT PLATE WITH TUBE FOR WALL
GBASE007500



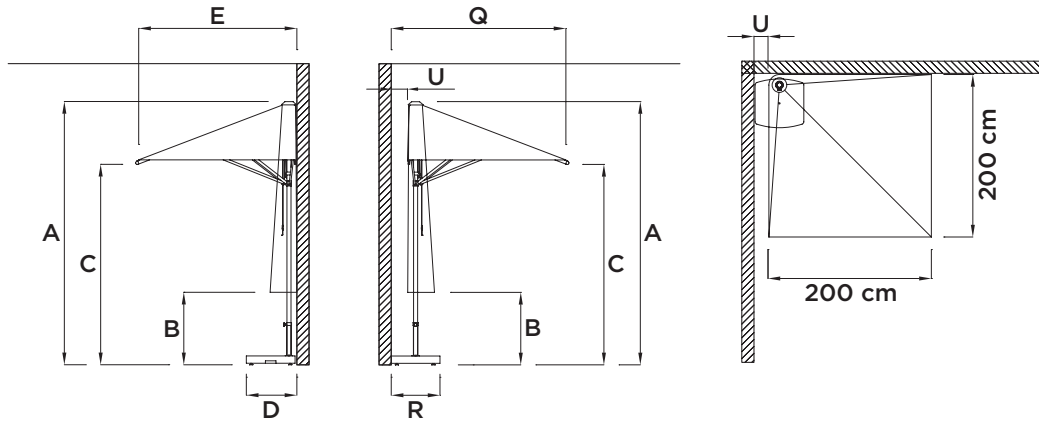
WALL - WALL MOUNT BASE WITH TUBE
GBASE006400



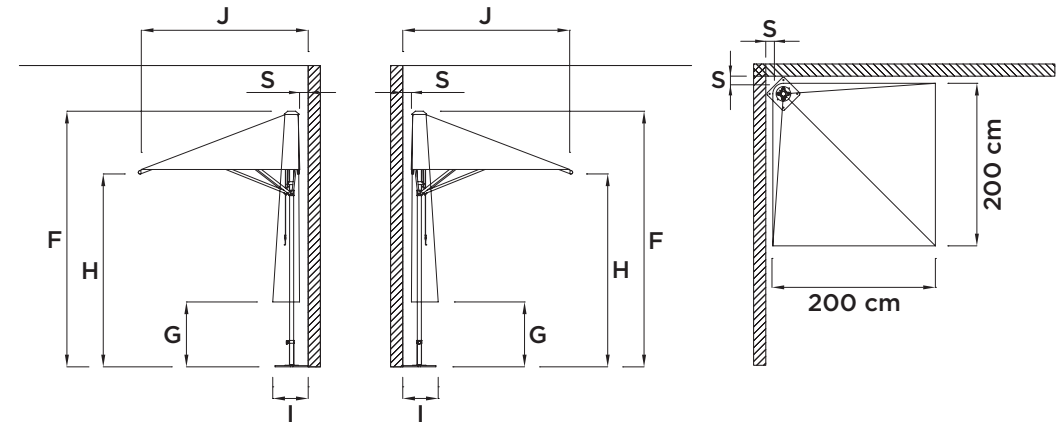
WALL - GROUND INSERT BASE STYLO C
GBASE001200



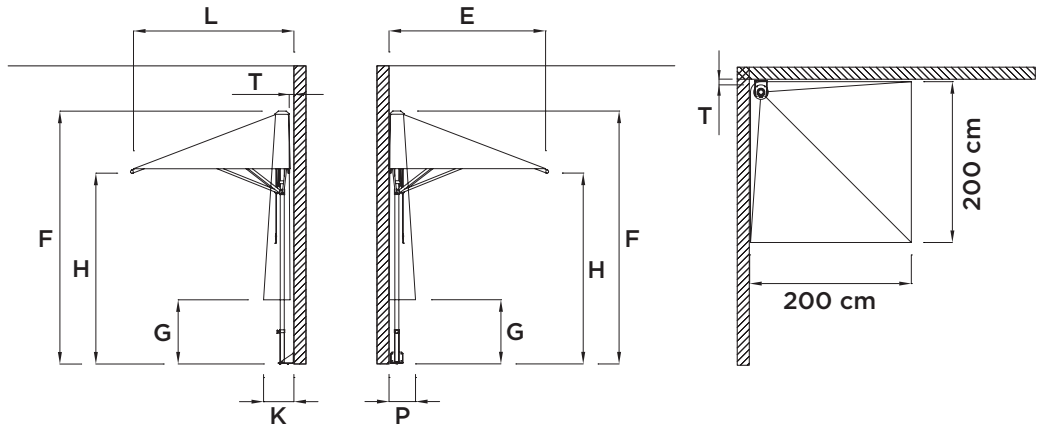
WALL CORNER - FREESTANDING CONCRETE BASE FOR WALL
GBASE004800



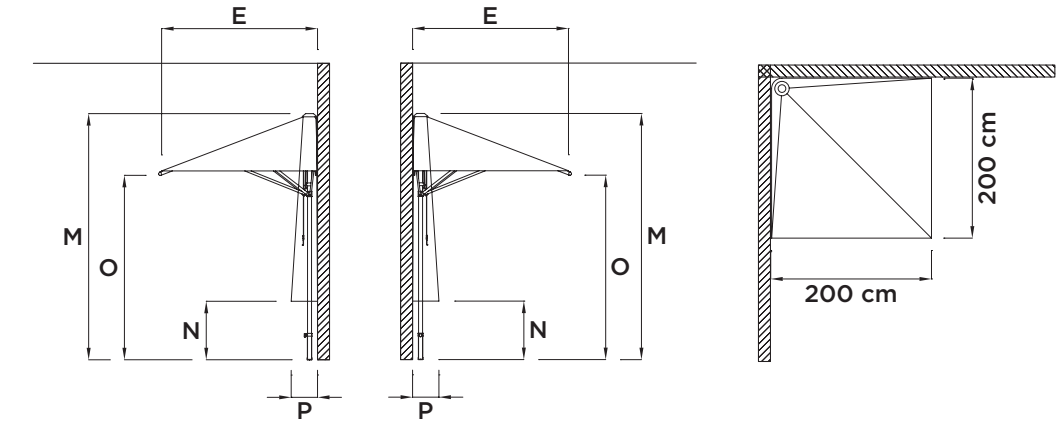
WALL CORNER - SURFACE MOUNT PLATE WITH TUBE FOR WALL
GBASE007500

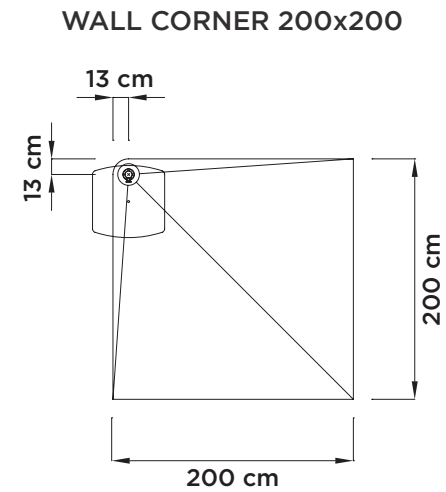
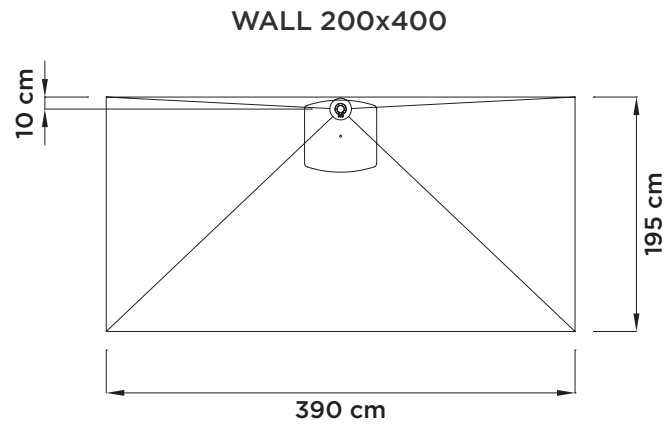
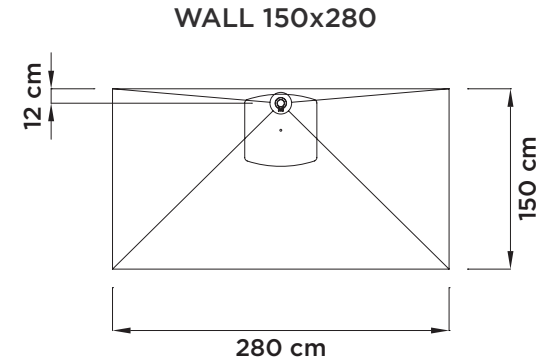
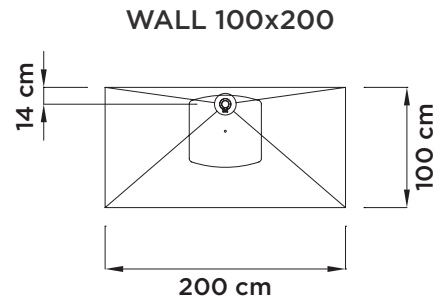


WALL CORNER - WALL MOUNT BASE WITH TUBE
GBASE006400



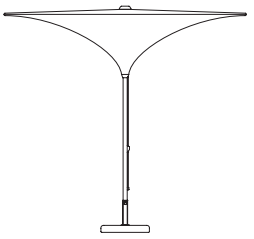
WALL CORNER - GROUND INSERT BASE STYLO C
GBASE001200



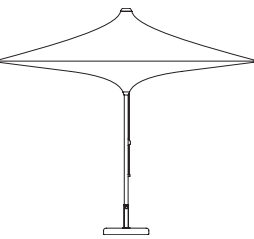


WALL MEASURES																					
SIZE (cm)	A	B	C	D	E	F	G	H	I	J	K	L	M	N	O	P	Q	R	S	T	U
100x200	267	132	232	62	100	257	122	222	41	111	24	105	250	115	215	20	/	/	6	0,5	/
150x280	268	76	232	62	150	258	66	222	41	161	30	155	251	59	215	25	/	/	8	3	/
200x400	324	42	247	62	195	314	32	237	44	206	38	200	307	25	230	33	/	/	10	5	/
200x200	324	42	247	62	200	314	32	237	44	211	38	205	307	25	230	33	215	60	7	2	17

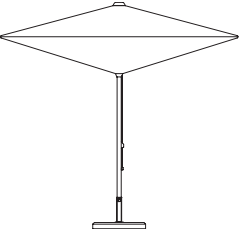
PLANT

CODE	DESCRIPTION	UNIT PRICE IN €
	<p>PLANT Anodized aluminum structure powder coated in white (BIAN), silver (SILV) or graphite (GRAF) color. Pole Ø 5 cm. Pulley opening. Cover: octagonal Ø 300 cm. Upper fabric: solution dyed acrylic without valances, without vent. Lower fabric: neutral white elasticized polyester / or with digital print "Tree of life" / or customized print on request.</p> <p>Optional lighting: 8 LED strips in neutral white light. Equipped with transformer (in: 220-110 V / out: 24 Watt) power supply, control unit, remote control and dimmer.</p> <p>Umbrella with LED can be completed ONLY with our bases on page 76. Base sold separately.</p> <p>Without LED : 1 pkg. - wt. 13 kgs - vol. 0,105 m³ With LED : 2 pkg. - wt. 18 kgs - vol. 0,12 m³</p>	<p>Solution dyed Acrylic / Polyester</p>
PLT#000300A.SBSU...SS000	PLANT 300 AL BIAN/SILV/GRAF	2.700
PLT#000300A.SBSU...SS019	PLANT 300 AL BIAN/SILV/GRAF LUCI	3.780
PRINT	DIGITAL PRINT "TREE OF LIFE"	324
PRINT	DIGITAL PRINT	ON REQUEST

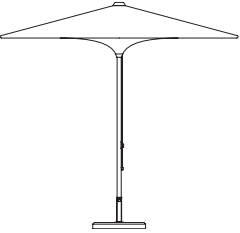
PAGODA

CODE	DESCRIPTION	UNIT PRICE IN €
	<p>PAGODA Anodized aluminum structure powder coated in white (BIAN), silver (SILV) or graphite (GRAF) color. Pole Ø 5 cm., Pulley opening. Cover: octagonal Ø 350 cm. Upper fabric: solution dyed acrylic without valances, without vent. Lower fabric: neutral white elasticized polyester.</p> <p>Optional lighting: 8 LED strips in neutral white light. Equipped with transformer (in: 220-110 V / out: 24 Watt) power supply, control unit, remote control and dimmer.</p> <p>Umbrella with LED can be completed ONLY with our bases on page 76. Base sold separately.</p> <p>Without LED : 1 pkg. - wt. 15,5 kgs - vol. 0,105 m³ With LED : 2 pkg. - wt. 20,5 kgs - vol. 0,12 m³</p>	<p>Solution dyed Acrylic / Polyester</p>
PGD#000350A.SBSU...SS000	PAGODA 350 AL BIAN/SILV/GRAF	3.186
PGD#000350A.SBSU...SS019	PAGODA 350 AL BIAN/SILV/GRAF LUCI	4.266

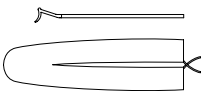
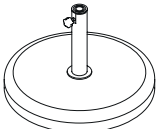
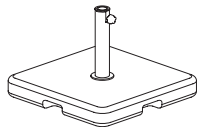
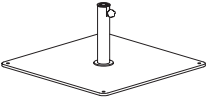
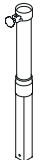
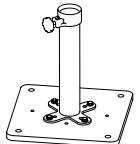
DIAMOND

CODE	DESCRIPTION	UNIT PRICE IN €
	<p>DIAMOND Anodized aluminum structure powder coated in white (BIAN), silver (SILV) or graphite (GRAF) color. Pole Ø 5 cm. Pulley opening. Cover: square 300x300 cm. Upper fabric: solution dyed acrylic without valances, without vent. Lower fabric: neutral white elasticized polyester.</p> <p>Optional lighting: 8 LED strips in neutral white light. Equipped with transformer (in: 220-110 V / out: 24 Watt) power supply, control unit, remote control and dimmer.</p> <p>Umbrella with LED can be completed ONLY with our bases on page 76. Base sold separately.</p> <p>Without LED : 1 pkg. - wt. 15,5 kgs - vol. 0,105 m³ With LED : 2 pkg. - wt. 20,5 kgs - vol. 0,12 m³</p>	<p>Solution dyed Acrylic / Polyester</p>
	<p>DMD#300300A.SBSU...SS000 DIAMOND 300X300 AL BIAN/SILV/GRAF 3.186</p> <p>DMD#300300A.SBSU...SS019 DIAMOND 300X300 AL BIAN/SILV/GRAF LUCI 4.266</p>	

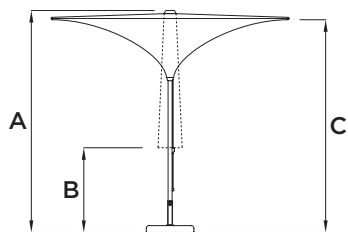
CHESTER

CODE	DESCRIPTION	UNIT PRICE IN €
	<p>CHESTER Anodized aluminum structure powder coated in white (BIAN), silver (SILV) or graphite (GRAF) color. Pole Ø 5 cm. Pulley opening. Cover: square 300x300 cm. Upper fabric: solution dyed acrylic without valances, without vent. Lower fabric: white elasticized polyester, with button insertion Chesterfield / Capitonné effect.</p> <p>Optional lighting: 8 LED strips in neutral white light. Equipped with transformer (in: 220-110 V / out: 24 Watt) power supply, control unit, remote control and dimmer.</p> <p>Umbrella with LED can be completed ONLY with our bases on page 76. Base sold separately.</p> <p>Without LED : 1 pkg. - wt. 15,5 kgs - vol. 0,105 m³ With LED : 2 pkg. - wt. 20,5 kgs - vol. 0,12 m³</p>	<p>Solution dyed Acrylic / Polyester</p>
	<p>CHE#300300A.SBSU...SS000 CHESTER 300X300 AL BIAN/SILV/GRAF 3.186</p> <p>CHE#300300A.SBSU...SS019 CHESTER 300X300 AL BIAN/SILV/GRAF LUCI 4.266</p>	

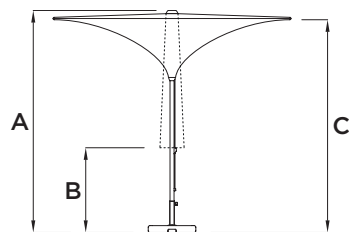
UMBRELLA ACCESSORIES

CODE	DESCRIPTION	UNIT PRICE IN €
	PROTECTION COVER Grey Airfim protection cover with zip and telescopic stick. Fits all versions. To be fitted on the mounted and closed parasol. 1 pkg. - wt. 1,5 kgs - vol. 0,017 m ³	Airfim
GFBAI000200	GRUPPO FODERO RODI CON BASTONE	251
	FREESTANDING CONCRETE BASE 40 kg Gray concrete round base with stainless steel tube in silver (SILV), graphite (GRAF) or white (BIAN) color. Diameter: Ø 59 cm. Weight: 40 kg. Suitable for PLANT and PAGODA. For complete measures see the end of the price-list. Price for 1 base. 1 pkg. - wt. 41 kgs - vol. 0,034 m ³	
GBASE003500#	GRUPPO BASE CEMENTO D 590 KG 40 C/TRONCHETTO SILV/GRAF/BIAN	167
	FREESTANDING CONCRETE BASE 60 kg Gray concrete square base with stainless steel tube in silver (SILV), graphite (GRAF) or white (BIAN) color. Dimension: 59x59 cm. Weight: 60 kg. For complete measures see the end of the price-list. Price for 1 base. 1 pkg. - wt. 61 kgs - vol. 0,067 m ³	
GBASE008400#	GRUPPO BASE CEMENTO 59X59 KG 60 C/TRONCHETTO SILV/GRAF/BIAN	239
	FREESTANDING STEEL PLATE 50 kg Galvanized steel plate with stainless steel tube, powder coated silver (SILV) or grafite (GRAF) color. Dimensions: 73x73x1,2 cm. Set of screws with adapters, for tubes Ø 25 - 55 mm. Water drainage outlet in the tube. 4 gliders underneath base to prevent scratches on floor or surfaces. For complete measures see the end of the price-list. Price for 1 base. 2 pkg. - wt. 52,5 kgs - vol. 0,021 m ³	
GBASE008500#X	GRUPPO BASE PIASTRA 73X73 KG 50 C/TRONCHETTO INOX	1.210
	GROUND INSERT BASE STYLO C Galvanized steel base to be set into concrete. Screwable upper tube in powder coated steel in silver (SILV), graphite (GRAF) or white (BIAN) color. For complete measures see the end of the price-list. Price for 1 base. 1 pkg. - wt. 2 kgs - vol. 0,006 m ³	
GBASE001200	GRUPPO BASE STYLO 50 C SILV/GRAF/BIAN	102
	SURFACE MOUNT PLATE WITH TUBE Galvanized and powder coated square steel plate and steel upper tube in silver (SILV), graphite (GRAF) or white (BIAN) color. Dimension: 30x30x1,5 cm. It must be fixed to the ground with 4 chemical anchor bolts (not supplied). For complete measures see the end of the price-list. Price for 1 base. 2 pkg. - wt. 13,4 kgs - vol. 0,02 m ³	
GBASE007500	GRUPPO PIASTRA GROUND 300X300 C/TRONCHETTO ARONA	378

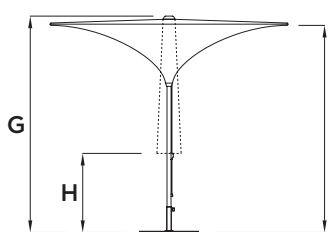
PLANT -
FREESTANDING CONCRETE BASE 40 kg
GBASE003500#



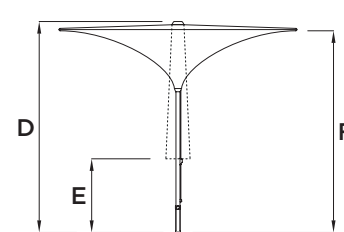
PLANT -
FREESTANDING CONCRETE BASE 60 kg
GBASE008400#



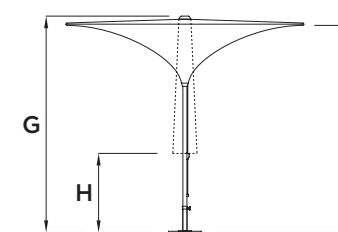
PLANT -
FREESTANDING STEEL PLATE 50 kg
GBASE008500#X



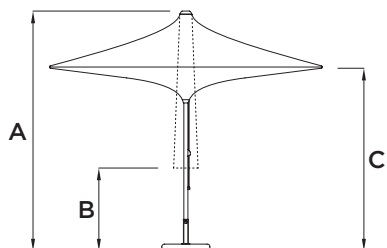
PLANT -
GROUND INSERT BASE STYLO C
GBASE001200



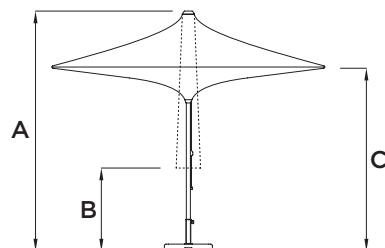
PLANT -
SURFACE MOUNT PLATE WITH TUBE
GBASE007500



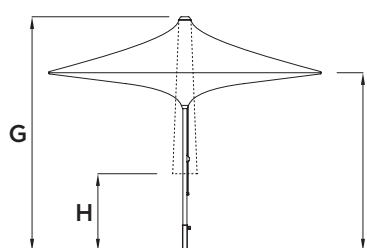
PAGODA -
FREESTANDING CONCRETE BASE 40 kg
GBASE003500#



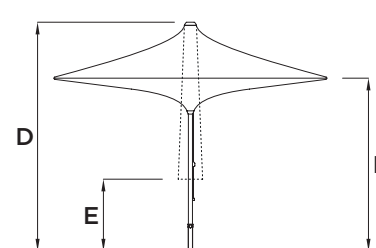
PAGODA -
FREESTANDING CONCRETE BASE 60 kg
GBASE008400#



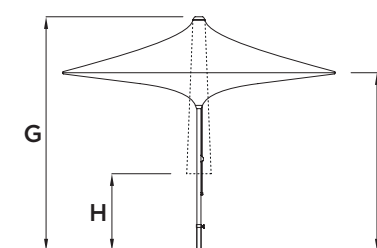
PAGODA -
FREESTANDING STEEL PLATE 50 kg
GBASE008500#X



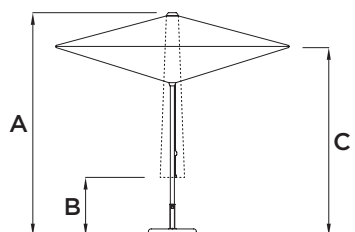
PAGODA -
GROUND INSERT BASE STYLO C
GBASE001200



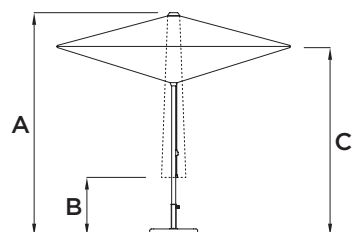
PAGODA -
SURFACE MOUNT PLATE WITH TUBE
GBASE007500



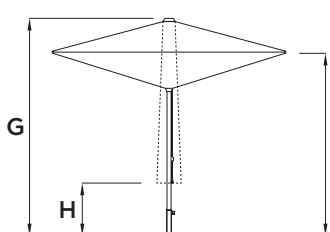
DIAMOND -
FREESTANDING CONCRETE BASE 40 kg
GBASE003500#



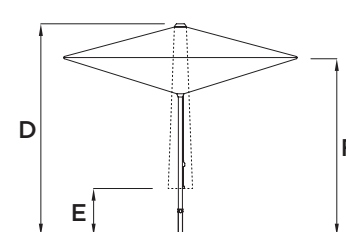
DIAMOND -
FREESTANDING CONCRETE BASE 60 kg
GBASE008400#



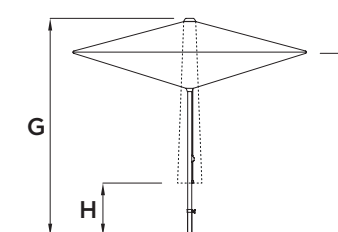
DIAMOND -
FREESTANDING STEEL PLATE 50 kg
GBASE008500#X



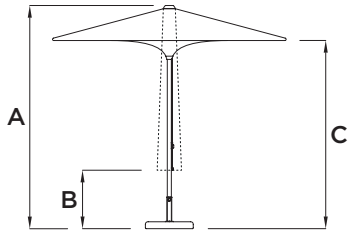
DIAMOND -
GROUND INSERT BASE STYLO C
GBASE001200



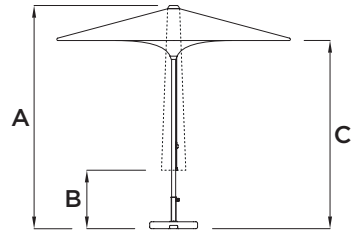
DIAMOND -
SURFACE MOUNT PLATE WITH TUBE
GBASE007500



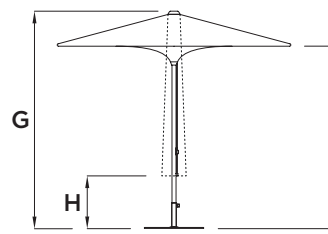
CHESTER -
FREESTANDING CONCRETE BASE 40 kg
GBASE003500#



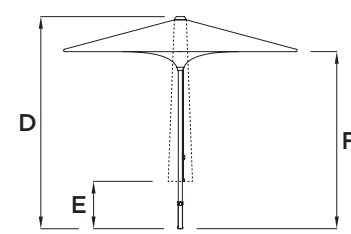
CHESTER -
FREESTANDING CONCRETE BASE 60 kg
GBASE008400#



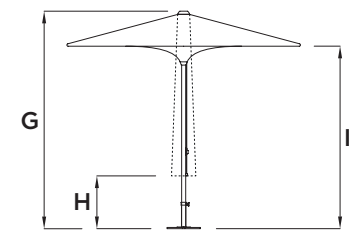
CHESTER -
FREESTANDING STEEL PLATE 50 kg
GBASE008500#X



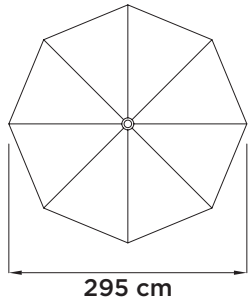
CHESTER -
GROUND INSERT BASE STYLO C
GBASE001200



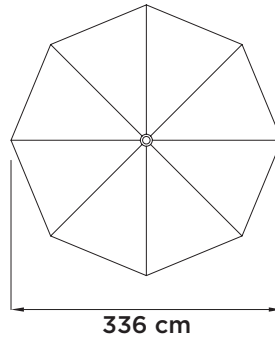
CHESTER -
SURFACE MOUNT PLATE WITH TUBE
GBASE007500



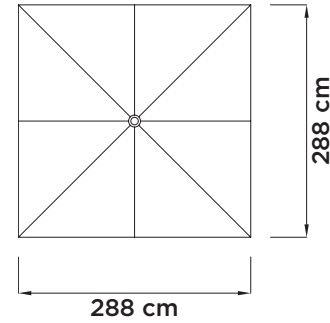
PLANT D300



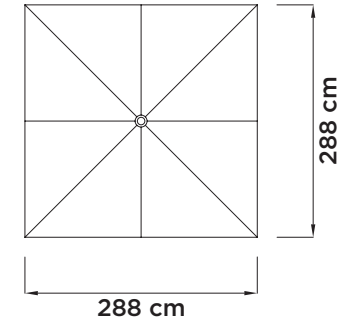
PAGODA D350



DIAMOND 300x300



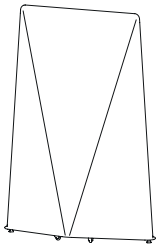
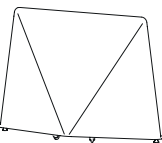
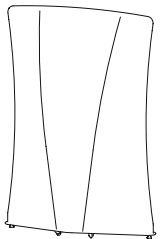
CHESTER 300x300

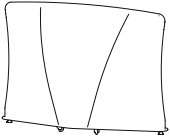


AMBIENCE MEASURES

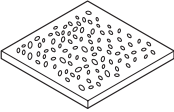
SIZE (cm)	A	B	C	D	E	F	G	H	I
PLANT	275	105	264	261	91	250	268	98	257
PAGODA	295	102	225	281	88	211	288	95	218
DIAMOND	275	72	232	261	58	218	268	65	225
CHESTER	275	72	232	261	58	218	268	65	225

PARTITION

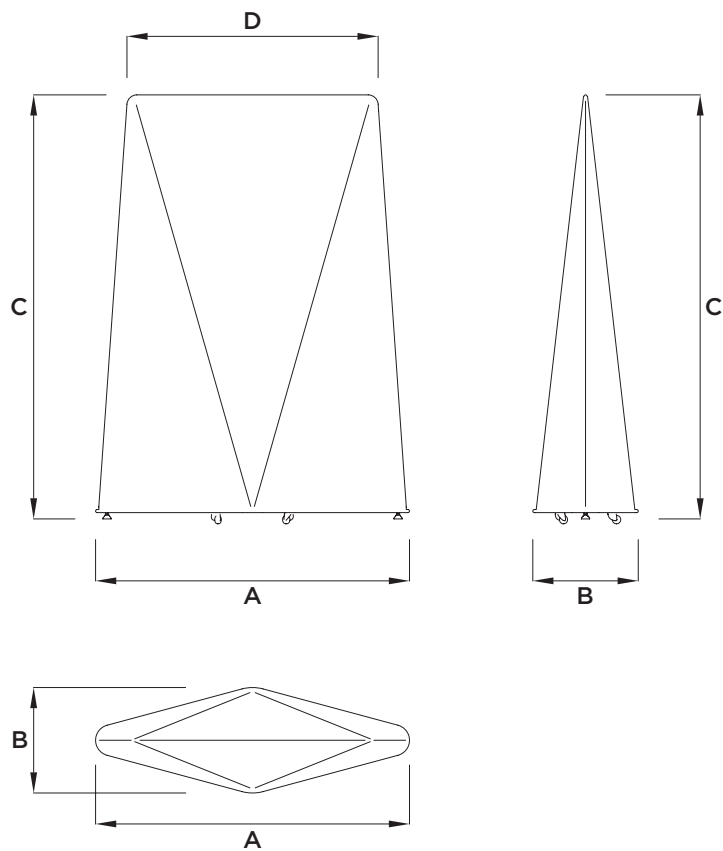
CODE	DESCRIPTION	UNIT PRICE IN €
	<p>TOTEM H</p> <p>Tubular structure in stainless steel AISI 304, base made of hot dip galvanized steel with adjustment feet and wheels. Base prepared for ballast: 4 concrete tiles 40x40x4 cm. sold separately (4 pcs are required). Fabric : white elasticized polyester fabric.</p> <p>Optional lighting: 1 LED stripe in neutral white light. Equipped with transformer (in: 220-110 V / out: 24 Watt) power supply, control unit, remote control and dimmer.</p>	<p>Polyester</p>
TTH150200IELE02000	DIVISORIO TOTEM H 150X200	2.484
TTH150200IELE02019	DIVISORIO TOTEM H 150X200 LUCI	3.564
	<p>TOTEM L</p> <p>Tubular structure in stainless steel AISI 304, base made of hot dip galvanized steel with adjustment feet and wheels. Base prepared for ballast: 4 concrete tiles 40x40x4 cm. sold separately (4 pcs are required). Fabric : white elasticized polyester fabric.</p> <p>Optional lighting: 8 LED strips in neutral white light. Equipped with transformer (in: 220-110 V / out: 24 Watt) power supply, control unit, remote control and dimmer.</p>	<p>Polyester</p>
TTL150100IELE02000	DIVISORIO TOTEM L 150X100	2.160
TTL150100IELE02019	DIVISORIO TOTEM L 150X100 LUCI	3.240
	<p>WING H</p> <p>Tubular structure in stainless steel AISI 304, base made of hot dip galvanized steel with adjustment feet and wheels. Base prepared for ballast: 4 concrete tiles 40x40x4 cm. sold separately (4 pcs are required). Fabric : neutral white elasticized polyester / or with digital print "Tree of life" / or customized print on request.</p> <p>Optional lighting: 8 LED strips in neutral white light. Equipped with transformer (in: 220-110 V / out: 24 Watt) power supply, control unit, remote control and dimmer.</p>	<p>Polyester</p>
WGH150200IELE02000	DIVISORIO WING H 150X200	2.484
WGH150200IELE02019	DIVISORIO WING H 150X200 LUCI	3.564
PRINT	DIGITAL PRINT "TREE OF LIFE"	324
PRINT	DIGITAL PRINT	ON REQUEST

	<p>WING L Tubular structure in stainless steel AISI 304, base made of hot dip galvanized steel with adjustment feet and wheels. Base prepared for ballast: 4 concrete tiles 40x40x4 cm. sold separately (4 pcs are required). Fabric : neutral white elasticized polyester / or with digital print "Tree of life" / or customized print on request.</p> <p>Optional lighting: 8 LED strips in neutral white light. Equipped with transformer (in: 220-110 V / out: 24 Watt) power supply, control unit, remote control and dimmer.</p>	<p>Polyester</p>
<p>WGL150100IELE02000</p>	<p>DIVISORIO WING L 150X100</p>	<p>2.160</p>
<p>WGL150100IELE02019</p>	<p>DIVISORIO WING L 150X100 LUCI</p>	<p>3.240</p>
<p>PRINT</p>	<p>DIGITAL PRINT "TREE OF LIFE"</p>	<p>324</p>
<p>PRINT</p>	<p>DIGITAL PRINT</p>	<p>ON REQUEST</p>

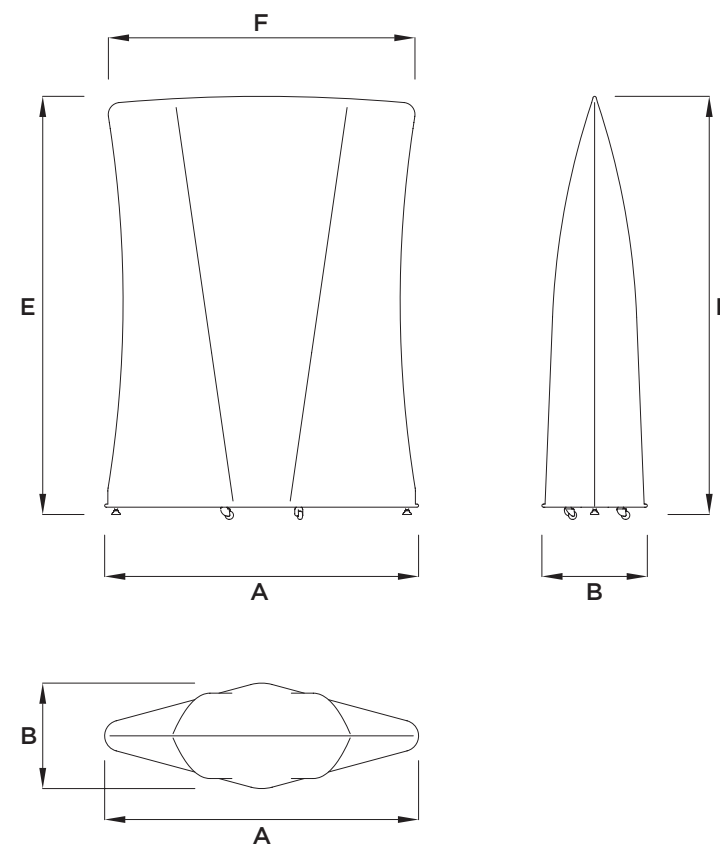
PARTITION ACCESSORIES

CODE	DESCRIPTION	UNIT PRICE IN €
	<p>CONCRETE BLOCK Concrete ballast block. 40x40x4 cm (15 kg). Price for 1 concrete block.</p>	
<p>PGFG04040</p>	<p>PIASTRELLA GHIAINO FINE GRIGIO 40X40</p>	<p>21</p>

TOTEM H or TOTEM L
150x200 or 150x100





WING H or WING L
150x200 or 150x100



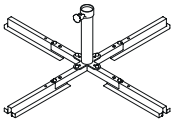
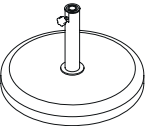
PARTITION MEASURES						
SIZE (cm)	A	B	C	D	E	F
TOTEM H 150x200	149	48	208	122		
TOTEM L 150x100	149	48	104	122		
WING H 150x200	149	48			204	149
WING L 150x100	149	48			104	149

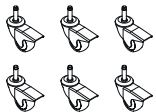
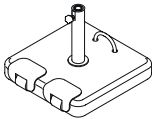
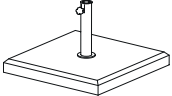

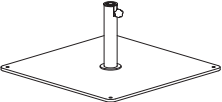
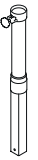
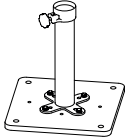
ALUMINUM CENTRAL POST UMBRELLAS

CODE	DESCRIPTION	UNIT PRICE IN €				
		Olefim	Acrylic ecru A00	Solution dyed Acrylic	Micro-mesh	Airfim
	REFLEX Anodized aluminum frame in polished (LUC), graphite (GRAF) or white (BIAN) color. Nylon accessories, pole Ø 5 cm, easy pulley opening system. Ribs can be changed singularly without disassembling the umbrella. Cover: square 200x200 - 240x240 - 300x300 cm, rectangular 200x300 cm and octagonal Ø 300 - Ø 350 cm. Base is sold separately. 1 pkg. - wt. 15,5 kgs - vol. 0,113 m ³	(without valances, with vent)	(without valances, with vent)	(without valances, with vent)	(without valances, without vent)	(with valances, with vent)
REF#200200A	REFLEX 200X200 AL LUC/GRAF/BIAN	495	495	702	702	775
REF#240240A	REFLEX 240X240 AL LUC/GRAF/BIAN	660		909	909	
REF#200300A	REFLEX 200X300 AL LUC/GRAF/BIAN	765	765	971	971	1.063
REF#300300A	REFLEX 300X300 AL LUC/GRAF/BIAN	851	851	1.152	1.152	1.315
REF#000300A	REFLEX D 300 AL LUC/GRAF/BIAN	842	842	1.069	1.069	
REF#000350A	REFLEX D 350 AL LUC/GRAF/BIAN	851	851	1.152	1.152	1.315
	EXTRA COST FOR VALANCE SOLUTION DYED ACRYLIC FABRIC			171		
	EXTRA COST FOR SOLUTION DYED ACRYLIC FABRIC SPECIAL COLOR			+ 48%		
RCART000030	SPECIAL COLOR RAL (only RAL color chart)	ON REQUEST				

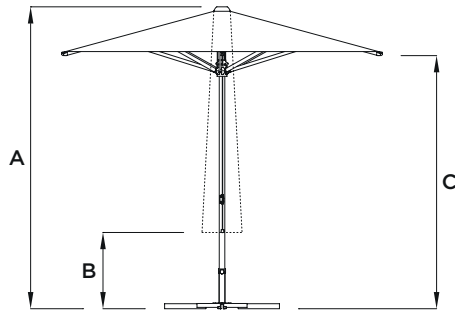
	PROTECTION COVER FOR REFLEX Grey Airfim protection cover. To be fitted on the mounted and closed parasol. Suitable only for Reflex models. 1 pkg. - wt. 1 kgs - vol. 0,005 m ³	Airfim
GFSAI000100	GRUPPO FODERO SACCO Ø 250 - 300 - 350 - 400 - 300X300 - 200X300 - 200X200 - 240x240 - WALL 150X280 - 100x200	110

REFLEX BASES

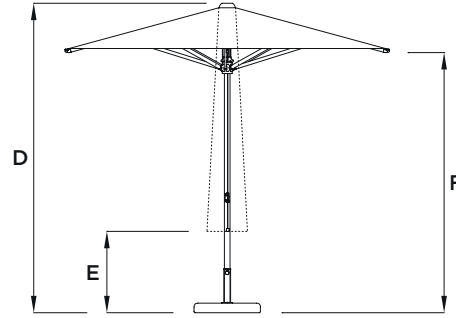
CODE	DESCRIPTION	UNIT PRICE IN €
	FREESTANDING BASE ARONA Demountable freestanding base and upper tube made of galvanized steel in silver (SILV), graphite (GRAF) or white (BIAN) color, with 4 adjustable extensions for three different sizes of concrete or iron tiles: 40x40 cm, 46x46 cm and 50x50 cm (4 pcs). The base fits Ø 5 cm round poles. For complete measures see the end of the price-list. Price for 1 base. 1 pkg. - wt. 5,5 kgs - vol. 0,012 m ³	
GBASE001700	GRUPPO BASE ARONA SILV/GRAF/BIAN	153
	FREESTANDING CONCRETE BASE 40 kg Gray concrete round base with stainless steel tube. Diameter: Ø 59 cm. Weight: 40 kg. For complete measures see the end of the price-list. Price for 1 base. 1 pkg. - wt. 41 kgs - vol. 0,034 m ³	
GBASE003500#X	GRUPPO BASE CEMENTO D 590 KG 40 C/TRONCHETTO INOX 25/52	167

CODE	DESCRIPTION	UNIT PRICE IN €
	SET OF WHEELS FOR CONCRETE BASE 40 kg Set of 6 wheels with locking system for concrete base 40 kg GBASE003500. 1 pkg. - wt. 1,2 kgs - vol. 0,006 m ³	
GRUOT000300	KIT 6 RUOTE X BASE CEMENTO D 590 KG 40	96
	FREESTANDING CONCRETE BASE 45 kg WITH WHEELS Dark gray concrete square base with 2 integrated wheels with stainless steel tube. Dimension: 52x52 cm. Weight: 45 kg. For complete measures see the end of the price-list. Price for 1 base. 1 pkg. - wt. 46 kgs - vol. 0,036 m ³	
GBASE004400	GRUPPO BASE CEMENTO 52X52 KG 45 C/RUOTE E TRONCHETTO INOX 25/52	272
	FREESTANDING GRANITE BASE 75 kg Granite square base with stainless steel tube. Dimension: 64x64 cm. Weight: 75 kg. For complete measures see the end of the price-list. Price for 1 base. 1 pkg. - wt. 80,5 kgs - vol. 0,067 m ³	
GBASE003600	GRUPPO BASE GRANITO 64X64 KG 75 C/TRONCHETTO INOX 25/52	478
	SET OF WHEELS FOR GRANITE BASE 75 kg Set of 4 double-wheels with locking system for GBASE003600. 1 pkg. - wt. 1,2 kgs - vol. 0,006 m ³	
GRUOT000200	GRUPPO KIT RUOTE X BASE GRANITO 64X64 KG 75	96
	FREESTANDING STEEL PLATE 50 kg Galvanized steel plate with stainless steel tube, powder coated in silver (SILV) or grafite (GRAF) color. Dimensions: 73x73x1,2 cm. Set of screws with adapters, for tubes Ø 25 - 55 mm. Water drainage outlet in the tube. 4 gliders underneath base to prevent scratches on floor or surfaces. Suitable for all Reflex models. For complete measures see the end of the price-list. Price for 1 base.	
GBASE008500#X	GRUPPO BASE PIASTRA 73X73 KG 50 C/TRONCHETTO INOX	1.210
	GROUND INSERT BASE STYLO C Galvanized steel base to be set into concrete. Screwable upper tube in powder coated steel in silver (SILV), graphite (GRAF) or white (BIAN) color. For complete measures see the end of the price-list. Price for 1 base. 1 pkg. - wt. 2 kgs - vol. 0,006 m ³	
GBASE001200	GRUPPO BASE STYLO 50 C SILV/GRAF/BIAN	102
	SURFACE MOUNT PLATE WITH TUBE Galvanized and powder coated square steel plate and steel upper tube in silver (SILV), graphite (GRAF) or white (BIAN) color. Dimension: 30x30x1,5 cm. It must be fixed to the ground with 4 chemical anchor bolts (not supplied). For complete measures see the end of the price-list. Price for 1 base. 2 pkg. - wt. 13,4 kgs - vol. 0,02 m ³	
GBASE007500	GRUPPO PIASTRA GROUND 300X300 C/TRONCHETTO ARONA	378

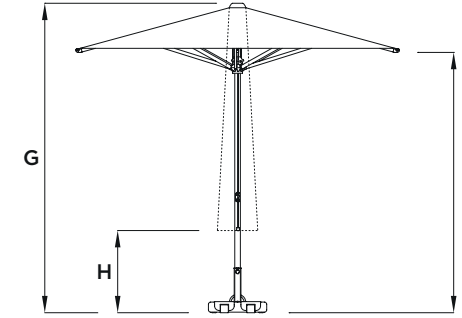
REFLEX -
FREESTANDING BASE ARONA
GBASE001700



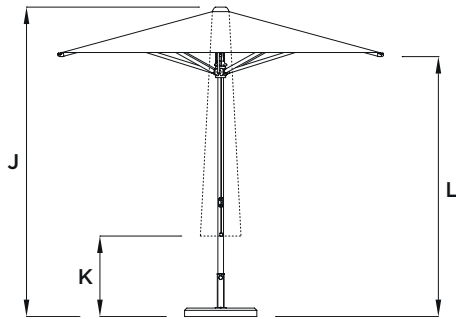
REFLEX -
FREESTANDING CONCRETE BASE 40 kg
GBASE003500#X



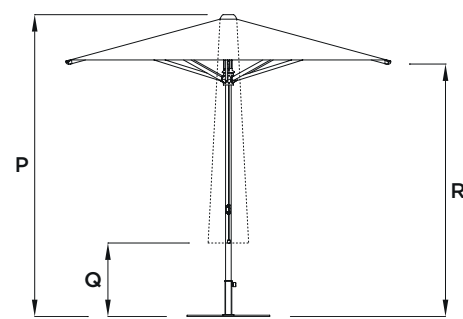
REFLEX -
FREESTANDING CONCRETE BASE 45 kg WITH WHEELS
GBASE004400



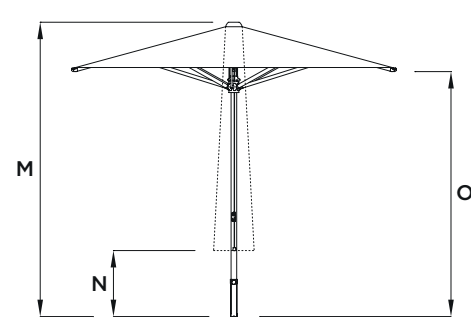
REFLEX -
FREESTANDING GRANITE BASE 75 kg
GBASE003600



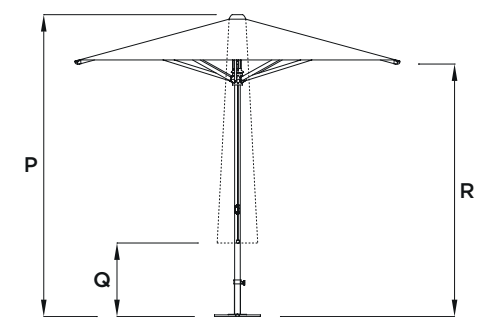
REFLEX -
FREESTANDING STEEL PLATE 50 kg
GBASE008500#X



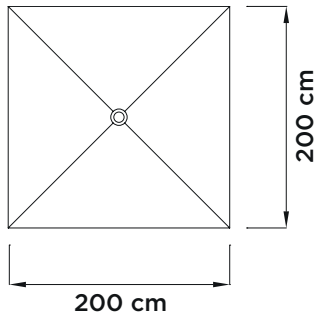
REFLEX -
GROUND INSERT BASE STYLO C
GBASE001200



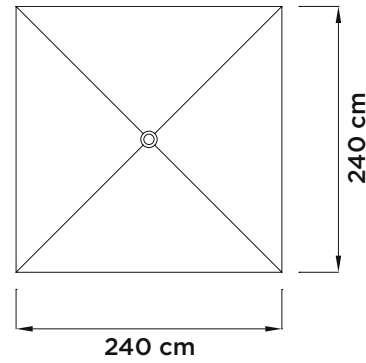
REFLEX -
SURFACE MOUNT PLATE WITH TUBE
GBASE007500



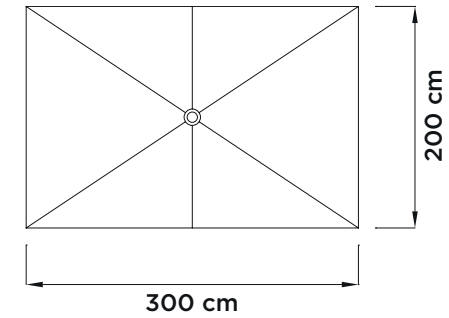
REFLEX 200x200



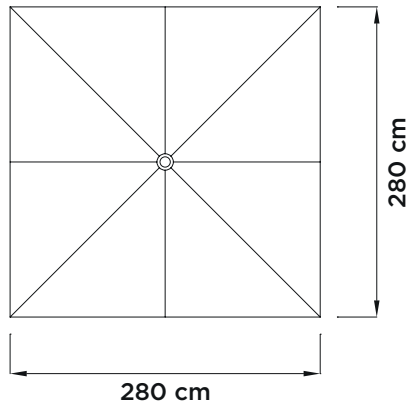
REFLEX 240x240



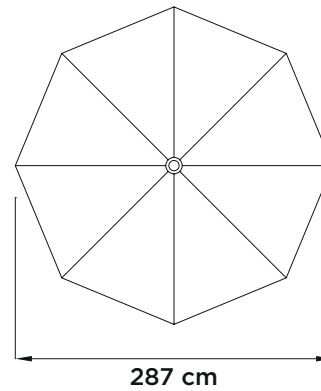
REFLEX 200x300



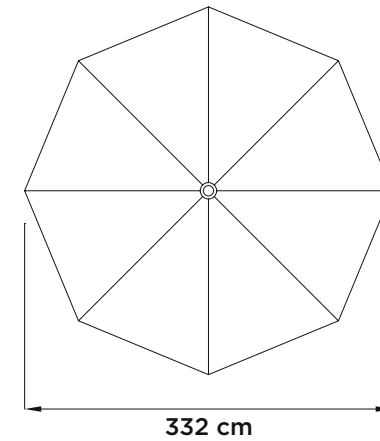
REFLEX 300x300



REFLEX D300



REFLEX D350

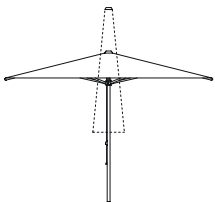



REFLEX MEASURES																		
SIZE (cm)	A	B	C	D*	E*	F*	G	H	I	J**	K**	L**	M	N	O	P	Q	R
200x200	256	110	206	260	114	210	261	115	211	259	113	209	246	100	196	253	107	203
240x240	271	99	223	275	103	227	276	104	228	274	102	226	261	89	213	268	96	220
200x300	271	74	233	275	78	237	276	79	238	274	77	236	261	64	223	268	71	230
300x300	271	69	227	275	73	231	276	74	232	274	72	230	261	59	217	268	66	224
D300	271	125	232	275	129	236	276	130	237	274	128	235	261	115	222	268	122	229
D350	271	99	221	275	103	225	276	104	226	274	102	224	261	89	211	268	96	218

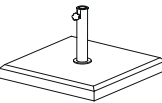
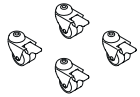
* for concrete base 40 kg with wheels GRUOT000300 add 6 cm to every measure of the columns (D, E, F).

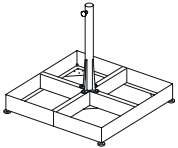
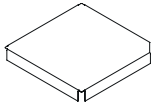
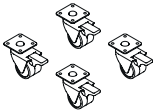


** for granite base 75 kg with wheels GRUOT000200 add 8 cm to every measure of the columns (J, K, L).

ALUMINUM CENTRAL POST TELESCOPIC UMBRELLAS

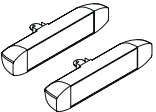
CODE	DESCRIPTION	UNIT PRICE IN €			
		Acrylic ecru A00	Solution dyed Acrylic	Micro-mesh	Airfim
	REFLEX TELESCOPIC Anodized aluminum frame in polished (LUC), graphite (GRAF) or white (BIAN) color. Double pulley opening system. Ribs can be changed singularly without disassembling the umbrella. A telescopic system allows the closing of the umbrella without removing the furniture underneath. Pole Ø 5 cm for sizes: square 350x350, rectangular 300x400 and oval 310x440 cm. Pole Ø 5,5 cm for sizes: rectangular 250x400 - 350x400 and square 400x400 cm. Base is sold separately. 1 pkg. - wt. 18,5 kgs - vol. 0,19 m ³	(without valances, with vent)	(without valances, with vent)	(without valances, without vent)	(with valances, with vent)
RET#350350A	REFLEX TEL 350X350 AL LUC/GRAF/BIAN	1.133	1.493	1.493	1.619
RET#250400A	REFLEX TEL 250X400 AL LUC/GRAF/BIAN	1.133	1.493	1.493	1.619
RET#300400A	REFLEX TEL 300X400 AL LUC/GRAF/BIAN	1.133	1.493	1.493	1.619
RET#310440A	REFLEX TEL 310X440 AL LUC/GRAF/BIAN	1.215	1.616	1.616	2.024
RET#350400A	REFLEX TEL 350X400 AL LUC/GRAF/BIAN	1.676	1.866	1.866	1.866
RET#400400A	REFLEX TEL 400X400 AL LUC/GRAF/BIAN	1.745	2.011	2.011	2.011
	EXTRA COST FOR VALANCE SOLUTION DYED ACRYLIC FABRIC FOR 350x350 - 300x400 - 310x400		188		
	EXTRA COST FOR VALANCE SOLUTION DYED ACRYLIC FABRIC FOR 200x400 - 350x400 - 400x400		330		
	EXTRA COST FOR SOLUTION DYED ACRYLIC FABRIC SPECIAL COLOR		+ 48%		
RCART000030	SPECIAL COLOR RAL (only RAL color chart)	ON REQUEST			
	PROTECTION COVER FOR REFLEX TELESCOPIC Grey Airfim protection cover with zip and telescopic stick. To be fitted on the mounted and closed parasol. Suitable for all Reflex Telescopic models. 1 pkg. - wt. 1,5 kgs - vol. 0,017 m ³	Airfim			
GFBAI000300	GRUPPO FODERO AIRTEX BASTONE MAXI-MONTECARLO-REF TELESCOPICO	273			

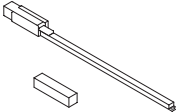
REFLEX TELESCOPIC BASES

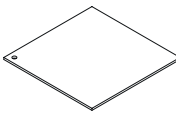
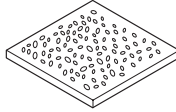
CODE	DESCRIPTION	UNIT PRICE IN €
	FREESTANDING GRANITE BASE 75 kg Granite square base with stainless steel tube, tube Ø 5 cm. Dimension: 64x64 cm. Weight: 75 kg. Suitable only for Reflex Telescopic: 350x350, 300x400 and 310x440. For complete measures see the end of the price-list. Price for 1 base. 1 pkg. - wt. 80,5 kgs - vol. 0,067 m ³	
GBASE003600	GRUPPO BASE GRANITO 64X64 KG 75 C/TRONCHETTO INOX 25/52	478
	SET OF WHEELS FOR GRANITE BASE 75 kg Set of 4 double-wheels with locking system for GBASE003600. Coupling with included hardware. 1 pkg. - wt. 1,2 kgs - vol. 0,006 m ³	
GRUOT000200	GRUPPO KIT RUOTE X BASE GRANITO 64X64 KG 75	96

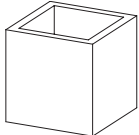
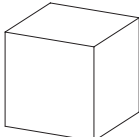
CODE	DESCRIPTION	UNIT PRICE IN €
	<p>FREESTANDING BASE ALU 4 WITH TUBE</p> <p>Square base made of powder coated aluminum and upper tube in silver (SILV), graphite (GRAF) or white (BIAN) color, with adjustable feet. It fits Ø 5 cm and Ø 5,5 cm poles. Suitable for all Reflex Telescopic. Requires 40x40 cm concrete tiles (8 pcs). For complete measures see the end of the price-list.</p> <p>Price for 1 base. 2 pkg. - wt. 15 kgs - vol. 0,17 m³</p>	
GBASE004600	GRUPPO BASE P ALU 4 80x80 C/TRONCHETTO H700 D50/55 SILV/GRAF/BIAN	767
	<p>BASE COVER 40x40</p> <p>Cover made of powder coated aluminum in silver (SILV), graphite (GRAF) or white (BIAN) color. For GBASE004600. 4 pieces are required for each base. Price for 1 cover. 2 pkg.(4 pcs.) - wt. 6 kgs - vol. 0,03 m³</p>	
PCART002300	COPERTURA PER MATTONELLE 409x409 SP60	148
	<p>SET OF WHEELS FOR BASE ALU 4</p> <p>Set of 4 double-wheels with locking system for GBASE004600. For complete measures see the end of the price-list. Coupling with included hardware. Price for 4 wheels. 1 pkg. - wt. 1,3 kgs - vol. 0,007 m³</p>	
GRUOT000100	GRUPPO KIT RUOTE D50 X BASE P ALU 4 80X80	97
	<p>GROUND INSERT BASE STYLO WITH TUBE</p> <p>Ground-insert base made of zinc plated steel, powder coated steel upper tube (70 cm) in silver (SILV), graphite (GRAF) or white (BIAN) color. It fits Ø 5 cm and Ø 5,5 cm poles. For complete measures see the end of the price-list.</p> <p>Price for 1 base. 2 pkg. - wt. 8,5 kgs - vol. 0,034 m³</p>	
GBASE006200	GRUPPO BASE STYLO UNIV + C/TRONCHETTO H700 D50/55 SILV/GRAF/BIAN	294
	<p>SURFACE MOUNT PLATE WITH TUBE</p> <p>Galvanized and powder coated steel square plate 30x30x1,5 cm. It must be fixed to the ground by 4 chemical anchors (not supplied). Upper tube (70 cm) and plate in silver (SILV), graphite (GRAF) or white (BIAN) color. It fits Ø 5 cm and Ø 5,5 cm poles. For complete measures see the end of the price-list. Price for 1 base. 2 pkg. - wt. 15 kgs - vol. 0,017 m³</p>	
GBASE006100	GRUPPO PIASTRA GROUND 300X300 C/TRONCHETTO H700 SILV/GRAF/BIAN	579

REFLEX AND REFLEX TELESCOPIC ACCESSORIES

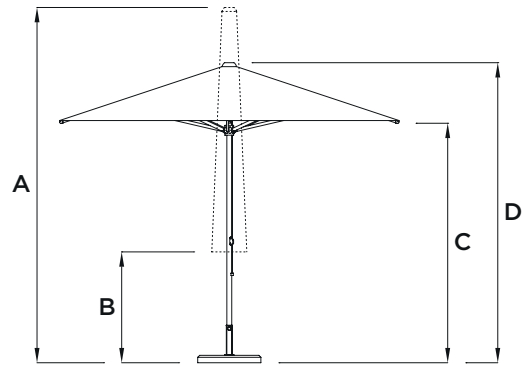
CODE	DESCRIPTION	UNIT PRICE IN €
	HEATERS FOR REFLEX AND REFLEX TELESCOPIC Heaters with direct connection ON/OFF by plug in, micaceous color, 220V tension, 2000W power, protection rating IPX5. Heating area for each heater: ~ 12/15 m ² - 129/161 ft ² . Set made of 2 heaters. Supplied with fixing system. Price for 2 Heaters. 2 pkg. - wt. 4 kgs - vol. 0,03 m ³	
GRISC000100	KIT 2 RISCALDAT HI1 2000W-STAFFA STECCHE X MAXI-REFLEX-RODI	927

	STICK LED LIGHTING Rechargeable LED stripe (length: 60 cm / 24 inches), supplied with USB cable for charging, charger included, lithium battery, power 2.4 WATT, 240 Lumen. Usage time: ~ 6 hours. To be fixed with 3 screws on the ribs. NET Price for 1 stick. 1 pkg. - wt. 1 kgs - vol. 0,008 m ³	
GLAMP000500	STICK LAMPADA DOPPIA BATTERIA	354 NET

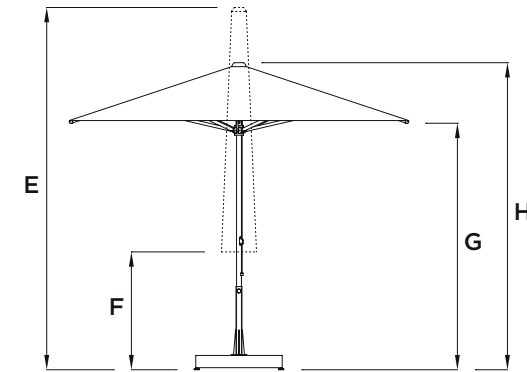
CODE	DESCRIPTION	UNIT PRICE IN €
	STEEL PLATE Zinc plated iron ballast plate. 50x50x1 cm (20 kg) for GBASE001700. Price for 1 iron plate.	
PPIAS003900	PIASTRA 500X500 SP10 ZAVORRA (IRON PLATES)	214
	CONCRETE BLOCK Concrete ballast block. 40x40x4 cm (15 kg) for GBASE001700 and GBASE004600. 50x50x4 cm (22 kg) for GBASE001700. Price for 1 concrete block.	
PGFG04040	PIASTRELLA GHIAINO FINE GRIGIO 40X40	21
PGFG05050	PIASTRELLA GHIAINO FINE GRIGIO 50X50	21

CODE	DESCRIPTION	UNIT PRICE IN €
	VASE Decorative vase made of polyethylene to be used as a ballast. Black or white colors. 50x50x50 cm for GBASE001700. 40x40x40 cm for GBASE004600. Price for 1 vase. 1 pkg. - wt. 9 kgs - vol. 0,166 m ³	
CACCE000100	VASO 40X40X40 BIANCO O NERO	204
CACCE000100	VASO 50X50X50 BIANCO O NERO	305
	CUBE Decorative cube made of polyethylene to be used as a seat. Black or white colors. 50x50x50 cm for GBASE001700. 40x40x40 cm for GBASE004600. Price for 1 cube. 1 pkg. - wt. 8 kgs - vol. 0,166 m ³	
CACCE000200	CUBE 40X40X40 BIANCO O NERO	204
CACCE000200	CUBE 50X50X50 BIANCO O NERO	305

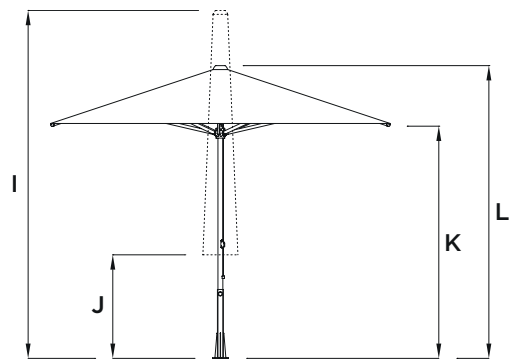
REFLEX TELESCOPIC - FREESTANDING GRANITE BASE 75 kg
GBASE003600



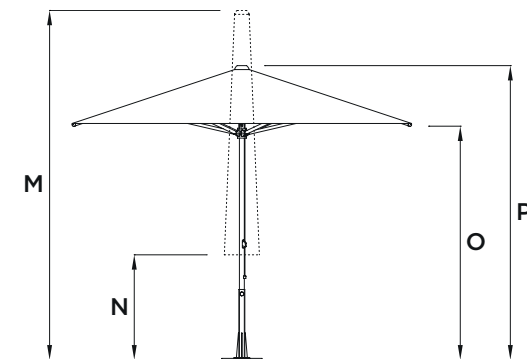
REFLEX TELESCOPIC - FREESTANDING ALU 4 BASE WITH TUBE
GBASE004600



REFLEX TELESCOPIC - GROUND INSERT BASE STYLO WITH TUBE
GBASE006200

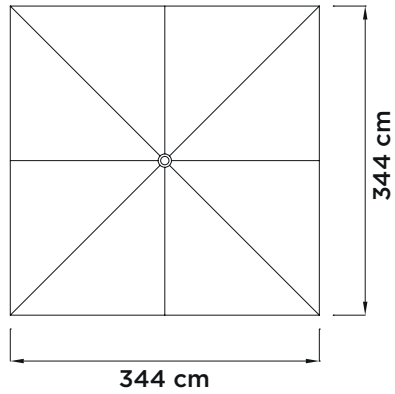


REFLEX TELESCOPIC - SURFACE MOUNT PLATE WITH TUBE
GBASE006100

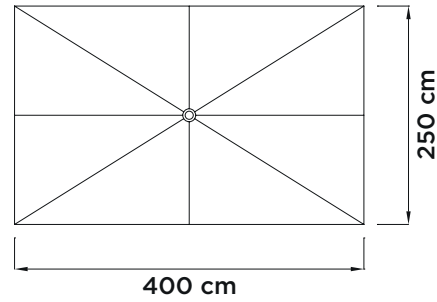


REFLEX TELESCOPIC

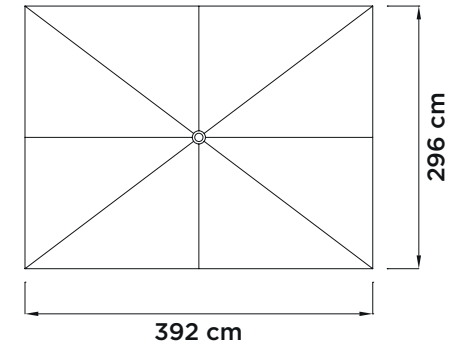
REFLEX TELESCOPIC 350x350



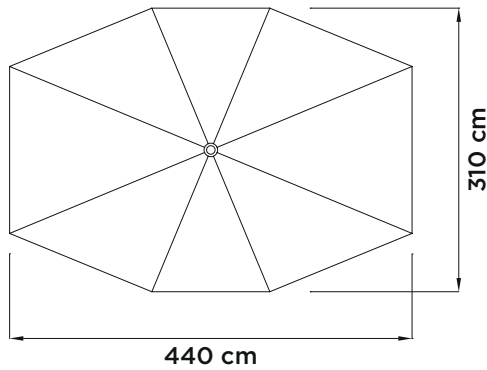
REFLEX TELESCOPIC 250x400



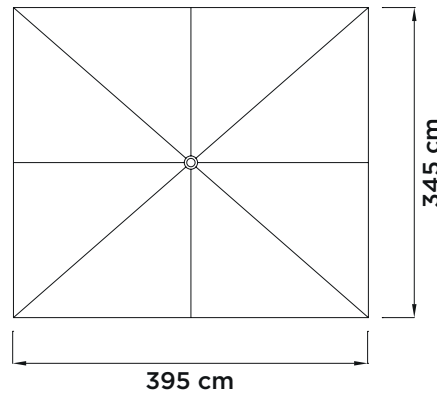
REFLEX TELESCOPIC 300x400



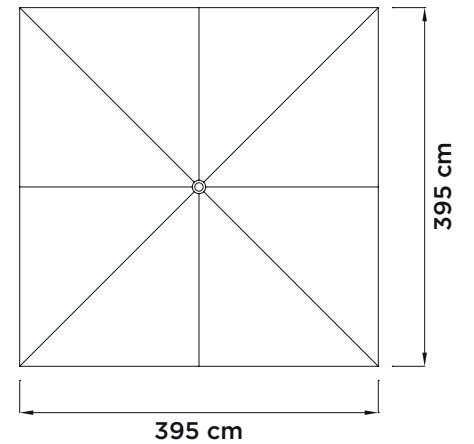
REFLEX TELESCOPIC 310x440



REFLEX TELESCOPIC 350x400



REFLEX TELESCOPIC 400x400





REFLEX TELESCOPIC MEASURES																
SIZE (cm)	A*	B*	C*	D*	E**	F**	G**	H**	I	J	K	L	M	N	O	P
350x350	360	112	243	304	367	119	250	311	353	105	236	297	355	107	238	299
250x400	361	122	235	287	368	129	242	294	354	115	228	280	356	117	230	282
300x400	365	113	244	296	372	120	251	303	358	106	237	289	360	108	239	291
310x440	360	112	243	304	367	119	250	311	353	105	236	297	355	107	238	299
350x400	364	97	241	297	371	104	248	304	357	90	234	290	359	92	236	292
400x400	365	82	238	296	372	89	245	303	358	75	231	289	360	77	233	291

* base GBASE003600 with wheels GRUOT000200 add 8 cm to every measure of the columns (A, B, C, D).

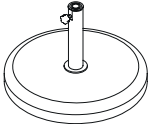
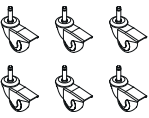
** for base GBASE004600 with wheels GRUOT000100 add 6 cm to every measure of the columns (E, F, G, H).

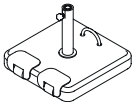
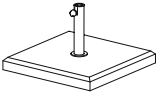
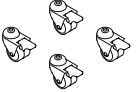
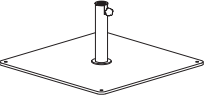
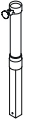
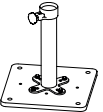
ALUMINUM CENTRAL POST UMBRELLAS WITH TILT

CODE	DESCRIPTION	UNIT PRICE IN €	
	<p>ONDA Anodized powder coated aluminum frame in silver (SILV), graphite (GRAF) or white (BIAN) color. 2-parted pole, Ø 3,6 and Ø 4 cm. Pulley opening and tilt system. Resin hubs. Ribs can be changed singularly without disassembling the umbrella. Cover dimensions: square 200x200 cm, rectangular 200x300 cm and hexagonal Ø 300 cm. Base is sold separately. 1 pkg. - wt. 8 kgs - vol. 0,066 m³</p>	Olefim (without valances, with vent)	Solution dyed Acrylic (without valances, with vent)
OND#200200A	ONDA 200X200 AL SILV/GRAF/BIAN	516	626
OND#200300A	ONDA 200X300 AL SILV/GRAF/BIAN	602	806
OND#000300A	ONDA D300 AL SILV/GRAF/BIAN	554	729
	EXTRA COST FOR VALANCE SOLUTION DYED ACRYLIC FABRIC		154
	EXTRA COST FOR SOLUTION DYED ACRYLIC FABRIC SPECIAL COLOR		+ 60%
RCART000030	SPECIAL COLOR RAL (only RAL color chart)	ON REQUEST	

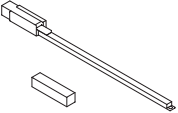
	<p>PROTECTION COVER FOR ONDA Grey Airfim protection cover. To be fitted on the mounted and closed parasol. Suitable for all Onda models. 1 pkg. - wt. 1 kgs - vol. 0,005 m³</p>	Airfim
GFDAI000500	GRUPPO FODERO SACCO AIRFIM ONDA	82

ONDA BASES

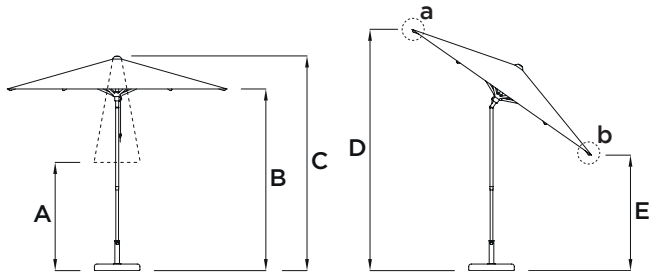
CODE	DESCRIPTION	UNIT PRICE IN €
	<p>FREESTANDING CONCRETE BASE 40 kg Gray concrete round base with stainless steel tube. Diameter: Ø 59 cm. Weight: 40 kg. For complete measures see the end of the price-list. Price for 1 base. 1 pkg. - wt. 41 kgs - vol. 0,034 m³</p>	
GBASE003500#X	GRUPPO BASE CEMENTO D 590 KG 40 C/TRONCHETTO INOX 25/52	167
	<p>SET OF WHEELS FOR CONCRETE BASE 40 kg Set of 6 wheels with locking system for GBASE003500. 1 pkg. - wt. 1,2 kgs - vol. 0,006 m³</p>	
GRUOT000300	KIT 6 RUOTE X BASE CEMENTO D 590 KG 40	96

	FREESTANDING CONCRETE BASE 45 kg WITH WHEELS Dark gray concrete square base with 2 integrated wheels with stainless steel tube. Dimension: 52x52 cm. Weight: 45 kg. For complete measures see the end of the price-list. Price for 1 base. 1 pkg. - wt. 46 kgs - vol. 0,036 m ³	
GBASE004400	GRUPPO BASE CEMENTO 52X52 KG 45 C/RUOTE E TRONCHETTO INOX 25/52	272
	FREESTANDING GRANITE BASE 75 kg Granite square base with stainless steel tube. Dimension: 64x64 cm. Weight: 75 kg. For complete measures see the end of the price-list. Price for 1 base. 1 pkg. - wt. 80,5 kgs - vol. 0,067 m ³	
GBASE003600	GRUPPO BASE GRANITO 64X64 KG 75 C/TRONCHETTO INOX 25/52	478
	SET OF WHEELS FOR GRANITE BASE 75 kg Set of 4 double-wheels with locking system for GBASE003600. 1 pkg. - wt. 1,2 kgs - vol. 0,006 m ³	
GRUOT000200	GRUPPO KIT RUOTE X BASE GRANITO 64X64 KG 75	96
	FREESTANDING STEEL PLATE 50 kg Galvanized steel plate with stainless steel tube, powder coated in silver (SILV) or grafite (GRAF) color. Dimensions: 73x73x1,2 cm. Set of screws with adapters, for tubes Ø 25 - 55 mm. Water drainage outlet in the tube. 4 gliders underneath base to prevent scratches on floor or surfaces. For complete measures see the end of the price-list. Price for 1 base. 2 pkg. - wt. 52,5 kgs - vol. 0,021 m ³	
GBASE008500#X	GRUPPO BASE PIASTRA 73X73 KG 50 C/TRONCHETTO INOX	1.210
	GROUND INSERT BASE STYLO C Galvanized steel base to be set into concrete. Screwable upper tube in powder coated steel in silver (SILV), graphite (GRAF) or white (BIAN) color. It fits Ø 3,6 cm (with reduction) and Ø 5 cm poles. For complete measures see the end of the price-list. Price for 1 base. 1 pkg. - wt. 2 kgs - vol. 0,006 m ³	
GBASE001200	GRUPPO BASE STYLO 50 C SILV/GRAF/BIAN	102
	SURFACE MOUNT PLATE WITH TUBE Galvanized square steel plate and powder coated steel upper tube in silver (SILV), graphite (GRAF) or white (BIAN) color. Dimension: 30x30x1,5 cm. It must be fixed to the ground with 4 chemical anchors (not supplied). For complete measures see the end of the price-list. Price for 1 base. 2 pkg. - wt. 13,4 kgs - vol. 0,02 m ³	
GBASE007500	GRUPPO PIASTRA GROUND 300X300 C/TRONCHETTO ARONA	378

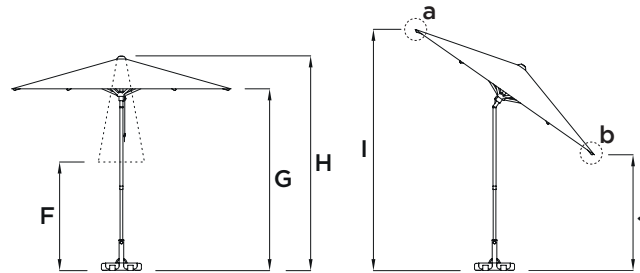
ONDA ACCESSORIES

CODE	DESCRIPTION	UNIT PRICE IN €
	STICK LED LIGHTING Rechargeable LED stripe (length: 60 cm / 24 inches), supplied with USB cable for charging, charger included, lithium battery, power 2.4 WATT, 240 Lumen. Usage time: ~ 6 hours. To be fixed with 3 screws on the ribs. NET Price for 1 stick. 1 pkg. - wt. 1 kgs - vol. 0,008 m ³	
GLAMP000500	STICK LAMPADA DOPPIA BATTERIA	354 NET

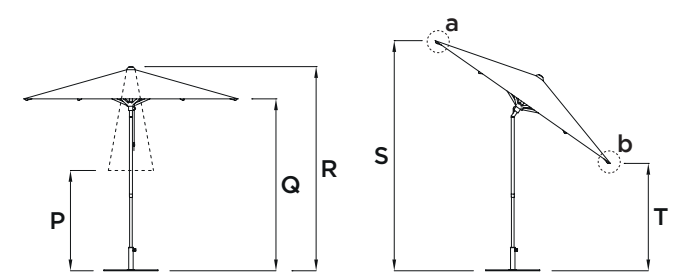
ONDA -
FREESTANDING CONCRETE BASE 40 kg
GBASE003500#X



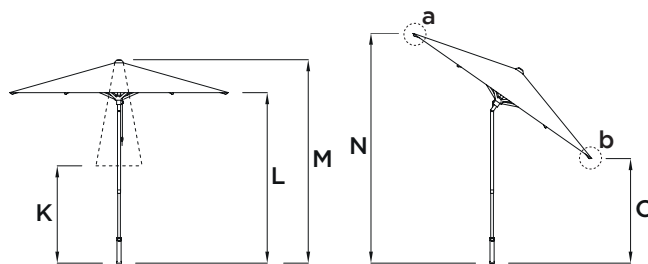
ONDA -
FREESTANDING CONCRETE BASE 45 kg WITH WHEELS
GBASE004400



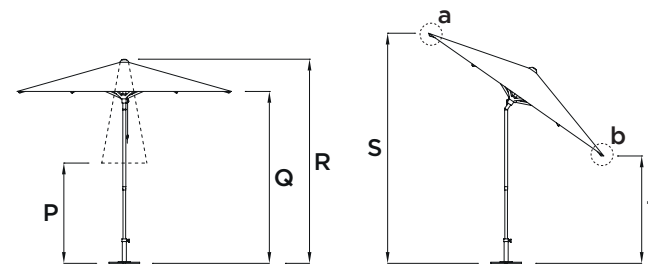
ONDA -
FREESTANDING STEEL PLATE 50 kg
GBASE008500#X



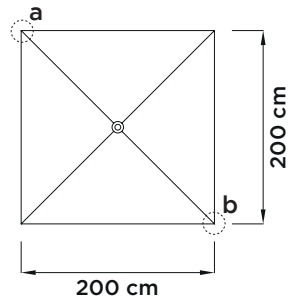
ONDA -
GROUND INSERT BASE STYLO C
GBASE001200



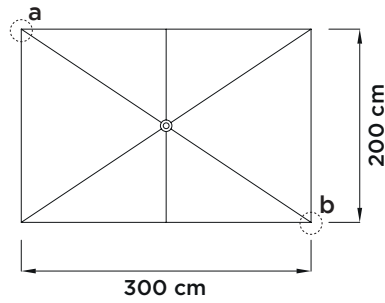
ONDA -
SURFACE MOUNT PLATE WITH TUBE
GBASE007500



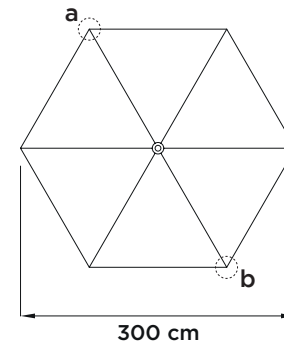
ONDA 200x200



ONDA 200x300



ONDA D300

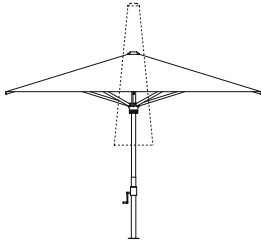



TILTING SYSTEM:
a: higher point
b: lower point

ONDA MEASURES																				
SIZE (cm)	A*	B*	C*	D*	E*	F	G	H	I	J	K	L	M	N	O	P	Q	R	S	T
200x200	140	233	278	312	150	141	234	279	313	151	127	220	265	299	137	133	226	271	305	143
D300	140	233	278	312	150	141	234	279	313	151	127	220	265	299	137	133	226	271	305	143
200x300	81	224	278	282	164	82	225	279	283	165	68	211	265	269	151	74	217	271	275	157

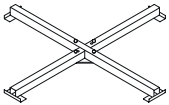
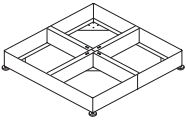
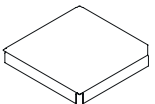
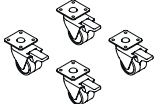
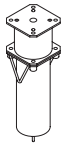
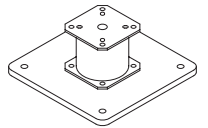
* for GBASE003500 with wheels GRUOT000300 add 6 cm to every measure of the coloumns (A, B, C, D, E).

WOODEN CENTRAL POST TELESCOPIC UMBRELLAS

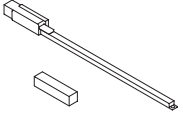
CODE	DESCRIPTION	UNIT PRICE IN €				
		Acrylic ecru A00	Solution dyed Acrylic	Micro-mesh	Airfim	
 <p>MONTECARLO Laminated hard wood square pole 6,5x6,5 cm, wooden ribs. Crank for easy opening. Details in polished brass. Ribs can be changed singularly without disassembling the umbrella. A telescopic device allows the umbrella to be closed without removing the furniture underneath. Cover dimensions: square 400x400 cm and octagonal Ø 500 cm. Base is sold separately. Minimum recommended ballast on the base: 150 kg 2 pkg. - wt. 34,1 kgs - vol. 0,275 m³</p>		(without valances, with vent)	(without valances, with vent)	(without valances, without vent)	(with valances, with vent)	
	MON#000500WG00	MONTECARLO D 500 LEG GRAF	2.252	2.687	2.687	2.819
		EXTRA COST FOR VALANCE SOLUTION DYED ACRYLIC FABRIC		330		
		EXTRA COST FOR SOLUTION DYED ACRYLIC FABRIC SPECIAL COLOR		+ 25%		

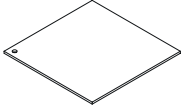
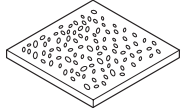
 <p>PROTECTION COVER FOR MONTECARLO Grey Airfim protection cover with zip and telescopic stick. To be fitted on the mounted and closed parasol. Suitable for all Montecarlo models. 1 pkg. - wt. 1,5 kgs - vol. 0,017 m³</p>		Airfim
	GFBAI000300	GRUPPO FODERO AIRTEX BASTONE MAXI-MONTECARLO-REF TELESCOPICO

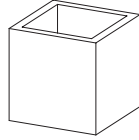
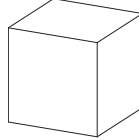
MONTECARLO BASES

CODE	DESCRIPTION	UNIT PRICE IN €
	FREESTANDING MONTECARLO BASE Demountable freestanding base made of zinc plated powder coated steel in graphite (GRAF) color. Requires 50x50 concrete or iron tiles (8 pcs). Minimum recommended weight: 150 kg. For complete measures see the end of the price-list. Price for 1 base. 1 pkg. - wt. 9,8 kgs - vol. 0,04 m ³	
GBASE001100	GRUPPO BASE MONTECARLO GRAF	224
	FREESTANDING BASE ALU 4 Square base made of powder coated aluminum in graphite (GRAF) color, with adjustable feet. Requires 40x40 cm concrete (12 pcs). Minimum recommended weight: 150 kg. For complete measures see the end of the price-list. Price for 1 base. 1 pkg. - wt. 13 kgs - vol. 0,135 m ³	
GBASE003700	GRUPPO BASE P ALU 4 80x80 SILV/GRAF/BIAN	612
	BASE COVER 40x40 Cover made of powder coated aluminum in graphite (GRAF) color. For GBASE003700. 4 pieces are required for each base. Price for 1 cover. 2 pkg. (4 pcs.) - wt. 6 kgs - vol. 0.03 m ³	
PCART002300	COPERTURA PER MATTONELLE 409x409 SP60	148
	SET OF WHEELS FOR BASE ALU 4 Set of 4 double-wheels with locking system for GBASE003700. For complete measures see the end of the price-list. Price for 4 wheels. 1 pkg. - wt. 1,3 kgs - vol. 0,007 m ³	
GRUOT000100	GRUPPO KIT RUOTE D50 X BASE P ALU 4 80X80	97
	GROUND INSERT BASE WITH EXTENTION Zinc plated and powder coated steel ground insert base with extension piece (height 13 cm), in graphite (GRAF) color. Supplied with fixing screws. For complete measures see the end of the price-list. Price for 1 base. 1 pkg. - wt. 4,7 kgs - vol. 0,012 m ³	
GBASE000900	GRUPPO BASE STYLO UNIV+PR SILV/GRAF/BIAN	239
	SURFACE MOUNT PLATE WITH EXTENTION Galvanized and powder coated square steel plate 30x30 cm, thickness 1,5 cm with extension piece (height 13 cm) in graphite (GRAF) color. It must be fixed to the ground by 4 chemical anchors (not supplied). For complete measures see the end of the price-list. Price for 1 base. 2 pkg. - wt. 17,5 kgs - vol. 0,025 m ³	
GBASE005800	GRUPPO PIASTRA GROUND 300X300 C/ PROLUNGA BASE STYLO	561

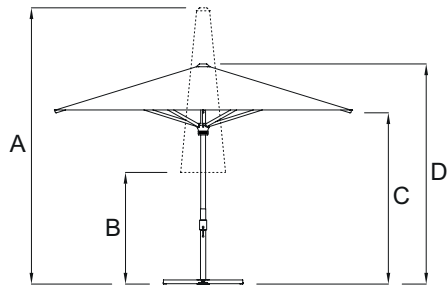
MONTECARLO ACCESSORIES

CODE	DESCRIPTION	UNIT PRICE IN €
	STICK LED LIGHTING Rechargeable LED stripe (length: 60 cm / 24 inches), supplied with USB cable for charging, charger included, lithium battery, power 2.4 WATT, 240 Lumen. Usage time: ~ 6 hours. To be fixed with 3 screws on the ribs. NETPrice for 1 stick. 1 pkg. - wt. 1 kgs - vol. 0,008 m ³	
GLAMP000500	STICK LAMPADA DOPPIA BATTERIA	328 NET

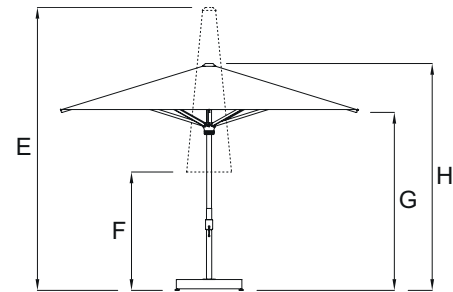
CODE	DESCRIPTION	UNIT PRICE IN €
	STEEL PLATE Zinc plated iron ballast plate. 50x50x1 cm (20 kg) for GBASE001100. Price for 1 iron plate.	
PPIAS003900	PIASTRA 500X500 SP10 ZAVORRA (IRON PLATES)	214
	CONCRETE BLOCK Concrete ballast block. 40x40x4 cm (15 kg) for GBASE003700. 50x50x4 cm (22 kg) for GBASE001100. Price for 1 concrete block.	
PGFG04040	PIASTRELLA GHIAINO FINE GRIGIO 40X40	21
PGFG05050	PIASTRELLA GHIAINO FINE GRIGIO 50X50	21

CODE	DESCRIPTION	UNIT PRICE IN €
	VASE Decorative vase made of polyethylene to be used as a ballast. Black or white colors. 50x50x50 cm for GBASE001100. 40x40x40 cm for GBASE003700. Price for 1 vase. 1 pkg. - wt. 9 kgs - vol. 0,166 m ³	
CACCE000100	VASO 40X40X40 BIANCO O NERO	204
CACCE000100	VASO 50X50X50 BIANCO O NERO	305
	CUBE Decorative cube made of polyethylene to be used as a seat. Black or white colors. 50x50x50 cm for GBASE001100. 40x40x40 cm for GBASE003700. Price for 1 cube. 1 pkg. - wt. 8 kgs - vol. 0,166 m ³	
CACCE000200	CUBE 40X40X40 BIANCO O NERO	204
CACCE000200	CUBE 50X50X50 BIANCO O NERO	305

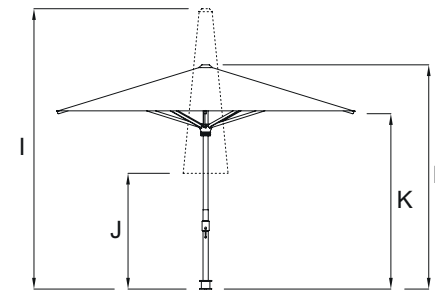
MONTECARLO - FREESTANDING BASE
GBASE001100



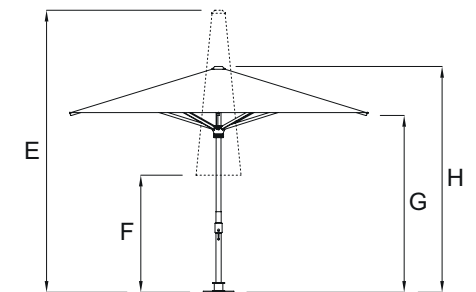
MONTECARLO - FREESTANDING BASE ALU 4
GBASE003700



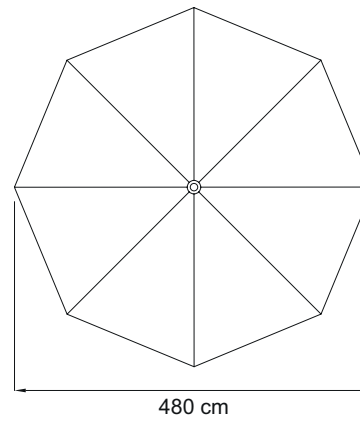
MONTECARLO - GROUND INSERT BASE
GBASE000900



MONTECARLO - SURFACE MOUNT PLATE
GBASE006500




MONTECARLO D500





MONTECARLO MEASURES												
SIZE (cm)	A	B	C	D	E*	F*	G*	H*	I	J	K	L
D500	394	164	214	294	403	173	223	303	401	171	221	301

* for base GBASE003700 with wheels GRUOT000100 add 6 cm to every measure of the columns (E, F, G, H).

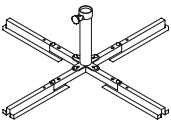
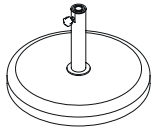
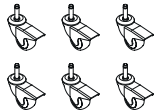
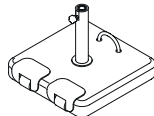
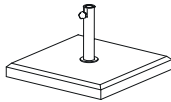
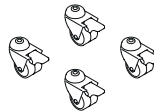
WOODEN CENTRAL POST UMBRELLAS

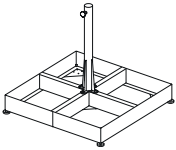
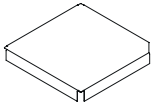
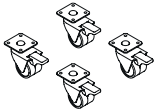
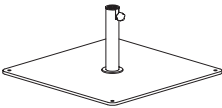

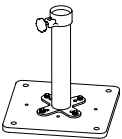
CODE	DESCRIPTION		
	<p>LIPARI</p> <p>Laminated hard wood structure and wooden ribs. Double pulley opening system. Ribs can be changed singularly without disassembling the umbrella.</p> <p>Cover dimensions: pole Ø 48 mm : octagonal 260 cm pole Ø 50 mm : rectangular 200x300 - 300x400 cm - square 200x200 cm - 300x300 cm - round 260 cm.</p> <p>Base is sold separately. 1 pkg. - wt. 17,2 kgs - vol. 0,113 m³</p>	<p>Acrylic ecru A00</p> <p>(without valances, with vent)</p>	<p>Solution dyed Acrylic</p> <p>(without valances, with vent)</p>
LIP#000260WLSB	LIPARI D260 LEG LUC	670	863
LIP#200200WLSB	LIPARI 200X200 LEG LUC	594	809
LIP#200300WLSB	LIPARI 200X300 LEG LUC	643	974
LIP#300300WLSB	LIPARI 300X300 LEG LUC	662	993
LIP#300400WLSB	LIPARI 300X400 LEG LUC	985	1.417
	EXTRA COST FOR VALANCE SOLUTION DYED ACRYLIC FABRIC		171
	EXTRA COST FOR SOLUTION DYED ACRYLIC FABRIC SPECIAL COLOR		+ 52%

	<p>PROTECTION COVER FOR LIPARI</p> <p>Grey Airfim protection cover. To be fitted on the mounted and closed parasol. Suitable for Lipari models: D260 - 200x200 - 200x300 - 300x300.</p> <p>1 pkg. - wt. 1 kgs - vol. 0,005 m³</p>	<p>Airfim</p>	
GFSAI000100	GRUPPO FODERO SACCO Ø 260 - 300 - 350 - 400 - 300X300 - 200X300 - 200X200 - 240x240 - WALL 150X280 - 100x200	110	

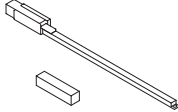
	<p>PROTECTION COVER FOR LIPARI 300X400</p> <p>Grey Airfim protection cover. To be fitted on the mounted and closed parasol. Suitable only for Lipari 300x400.</p> <p>1 pkg. - wt. 1 kgs - vol. 0,005 m³</p>	<p>Airfim</p>	
GFSAI000200	GRUPPO FODERO WALL 200x200 - 200x400 - LIP 300x400	137	

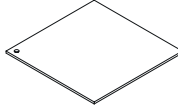
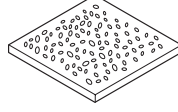
LIPARI BASES

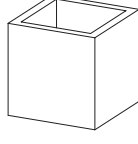
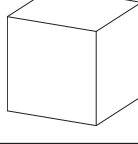
CODE	DESCRIPTION	UNIT PRICE IN €
	<p>FREESTANDING BASE ARONA</p> <p>Demountable freestanding base and upper tube (31 cm) made of galvanized steel in graphite (GRAF) color, with 4 adjustable extensions for three different sizes of concrete or iron tiles: 40x40 cm, 46x46 cm and 50x50 cm (4 pcs). Suitable for Lipari models: D260 - 200x200 - 200x300 - 300x300. For complete measures see the end of the price-list. Price for 1 base. 1 pkg. - wt. 5,5 kgs - vol. 0,012 m³</p>	
GBASE001700	GRUPPO BASE ARONA SILV/GRAF/BIAN	153
	<p>FREESTANDING CONCRETE BASE 40 kg</p> <p>Gray concrete round base with stainless steel tube. Diameter: Ø 59 cm. Weight: 40 kg. Suitable for Lipari models: D260 - 200x200 - 200x300 - 300x300. For complete measures see the end of the price-list. Price for 1 base. 1 pkg. - wt. 41 kgs - vol. 0,034 m³</p>	
GBASE003500#X	GRUPPO BASE CEMENTO D 590 KG 40 C/TRONCHETTO INOX 25/52	167
	<p>SET OF WHEELS FOR CONCRETE BASE 40 kg</p> <p>Set of 6 wheels with locking system for GBASE003500. 1 pkg. - wt. 1,2 kgs - vol. 0,006 m³</p>	
GRUOT000300	KIT 6 RUOTE X BASE CEMENTO D 590 KG 40	96
	<p>FREESTANDING CONCRETE BASE 45 kg WITH WHEELS</p> <p>Dark gray concrete square base with 2 integrated wheels with stainless steel tube. Dimension: 52x52 cm. Weight: 45 kg. Suitable for Lipari models: D260 - 200x200 - 200x300 - 300x300. For complete measures see the end of the price-list. Price for 1 base. 1 pkg. - wt. 46 kgs - vol. 0,036m³</p>	
GBASE004400	GRUPPO BASE CEMENTO 52X52 KG 45 C/RUOTE E TRONCHETTO INOX 25/52	272
	<p>FREESTANDING GRANITE BASE 75 kg</p> <p>Granite square base with stainless steel tube. Dimension: 64x64 cm. Weight: 75 kg. Suitable for all Lipari models. For complete measures see the end of the price-list. Price for 1 base. 1 pkg. - wt. 80,5 kgs - vol. 0,067 m³</p>	
GBASE003600	GRUPPO BASE GRANITO 64X64 KG 75 C/TRONCHETTO INOX 25/52	478
	<p>SET OF WHEELS FOR GRANITE BASE 75 kg</p> <p>Set of 4 wheels with locking system for GBASE003600. 1 pkg. - wt. 1,2 kgs - vol. 0,006 m³</p>	
GRUOT000200	GRUPPO KIT RUOTE X BASE GRANITO 64X64 KG 75	96

CODE	DESCRIPTION	UNIT PRICE IN €
	<p>FREESTANDING BASE ALU 4 WITH TUBE</p> <p>Square base made of powder coated aluminum and upper tube in graphite (GRAF) color, with adjustable feet. Requires 40x40 cm concrete tiles (8 pcs). Suitable only for Lipari 300x400. For complete measures see the end of the price-list. Price for 1 base. 2 pkg. - wt. 15 kgs - vol. 0,17 m³</p>	
GBASE004600	GRUPPO BASE P ALU 4 80x80 C/TRONCHETTO H700 D50/55 SILV/GRAF/BIAN	767
	<p>BASE COVER 40x40</p> <p>Cover made of powder coated aluminum in graphite (GRAF) color. For GBASE004600. 4 pieces are required for each base. Price for 1 cover. 2 pkg. (4 pcs.) - wt. 6 kgs - vol. 0,03 m³</p>	
PCART002300	COPERTURA PER MATTONELLE 409x409 SP60	148
	<p>SET OF WHEELS FOR BASE ALU 4</p> <p>Set of 4 double-wheels with locking system for GBASE004600. For complete measures see the end of the price-list. Price for 4 wheels. 1 pkg. - wt. 1,3 kgs - vol. 0,007 m³</p>	
GRUOT000100	GRUPPO KIT RUOTE D50 X BASE P ALU 4 80X80	97
	<p>FREESTANDING STEEL PLATE 50 kg</p> <p>Galvanized steel plate with stainless steel tube, powder coated in steel gray color. Dimensions: 73x73x1,2 cm. Set of screws with adapters, for tubes Ø 25 - 55 mm. Water drainage outlet in the tube. 4 gliders underneath base to prevent scratches on floor or surfaces. Suitable for Lipari models: D260 - 200x200 - 200x300 - 300x300. For complete measures see the end of the price-list. Price for 1 base. 2 pkg. - wt. 52,5 kgs - vol. 0,021 m³</p>	
GBASE008500#X	GRUPPO BASE PIASTRA 73X73 KG 50 C/TRONCHETTO INOX	1.210
	<p>GROUND INSERT BASE STYLO C</p> <p>Galvanized steel base to be set into concrete. Screwable upper tube in powder coated steel in graphite (GRAF) color. Suitable for all Lipari models. For complete measures see the end of the price-list. Price for 1 base. 1 pkg. - wt. ??2? kgs - vol. 0,006 m³</p>	
GBASE001200	GRUPPO BASE STYLO 50 C SILV/GRAF/BIAN	102
	<p>SURFACE MOUNT PLATE WITH TUBE</p> <p>Galvanized square steel plate and powder coated steel upper tube in graphite (GRAF) color. Dimension: 30x30x1,5 cm. It must be fixed to the ground with 4 chemical anchors (not supplied). Suitable for all Lipari models. For complete measures see the end of the price-list. Price for 1 base. 2 pkg. - wt. 13,4 kgs - vol. 0,02 m³</p>	
GBASE007500	GRUPPO PIASTRA GROUND 300X300 C/TRONCHETTO ARONA	378

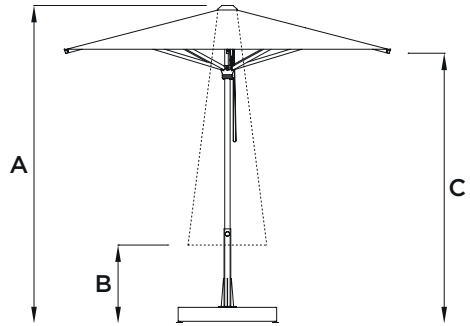
LIPARI ACCESSORIES

CODE	DESCRIPTION	UNIT PRICE IN €
	STICK LED LIGHTING Rechargeable LED stripe (length: 60 cm / 24 inches), supplied with USB cable for charging, charger included, lithium battery, power 2.4 WATT, 240 Lumen. Usage time: - 6 hours. To be fixed with 3 screws on the ribs. NET Price for 1 stick. 1 pkg. - wt. 1 kgs - vol. 0,008 m ³	
GLAMP000500	STICK LAMPADA DOPPIA BATTERIA	354 NET

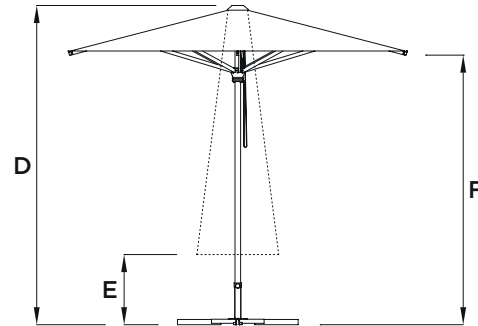
CODE	DESCRIPTION	UNIT PRICE IN €
	STEEL PLATE Zinc plated iron ballast plate. 50x50x1 cm (20 kg) for GBASE001700. Price for 1 iron plate.	
PPIAS003900	PIASTRA 500X500 SP10 ZAVORRA (IRON PLATES)	214
	CONCRETE BLOCK Concrete ballast block. 40x40x4 cm (15 kg) for GBASE001700 and GBASE004600. 50x50x4 cm (22 kg) for GBASE001700. Price for 1 concrete block.	
PGFG04040	PIASTRELLA GHIAINO FINE GRIGIO 40X40	21
PGFG05050	PIASTRELLA GHIAINO FINE GRIGIO 50X50	21

CODE	DESCRIPTION	UNIT PRICE IN €
	VASE Decorative vase made of polyethylene to be used as a ballast. Black or white colors. 50x50x50 cm for GBASE001700. 40x40x40 cm for GBASE004600. Price for 1 vase. 1 pkg. - wt. 9 kgs - vol. 0,166 m ³	
CACCE000100	VASO 40X40X40 BIANCO O NERO	204
CACCE000100	VASO 50X50X50 BIANCO O NERO	305
	CUBE Decorative cube made of polyethylene to be used as a seat. Black or white colors. 50x50x50 cm for GBASE001700. 40x40x40 cm for GBASE004600. Price for 1 cube. 1 pkg. - wt. 8 kgs - vol. 0,166 m ³	
CACCE000200	CUBE 40X40X40 BIANCO O NERO	204
CACCE000200	CUBE 50X50X50 BIANCO O NERO	305

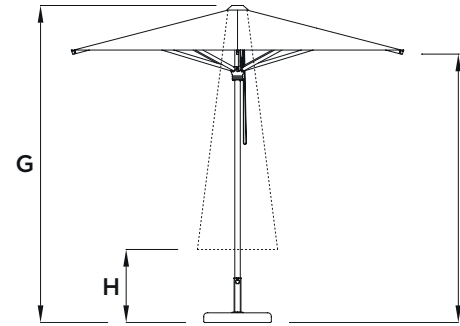
LIPARI - FREESTANDING BASE ALU 4
WITH TUBE GBASE004600



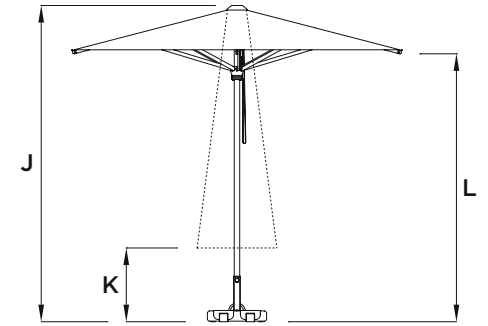
LIPARI - FREESTANDING BASE ARONA
GBASE001700



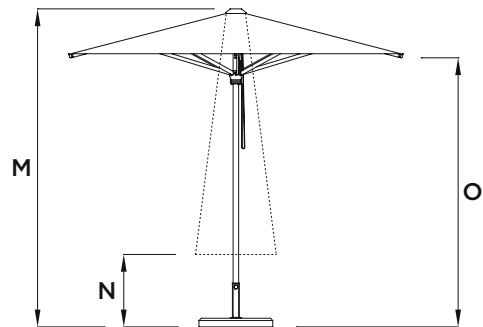
LIPARI - FREESTANDING CONCRETE
BASE 40 kg GBASE003500#X



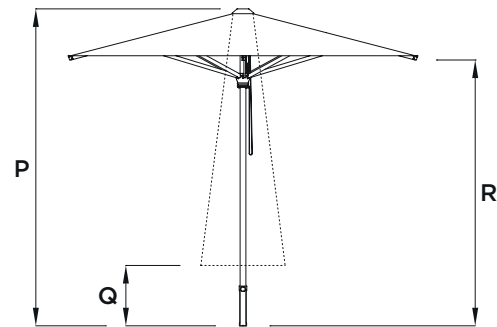
LIPARI - FREESTANDING CONCRETE
BASE 45 kg WITH WHEELS GBASE004400



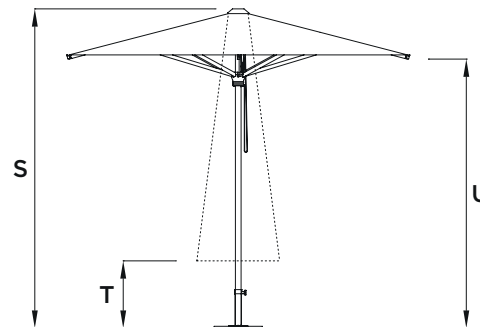
LIPARI - FREESTANDING GRANITE
BASE 75 kg GBASE003600



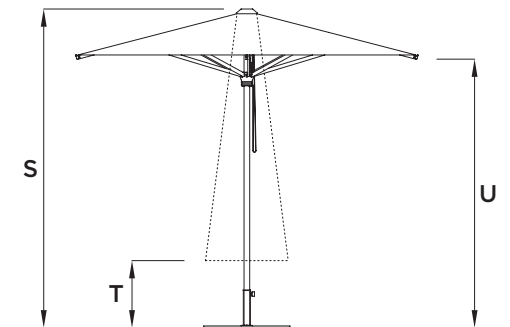
LIPARI - GROUND INSERT BASE STYLO C
GBASE001200



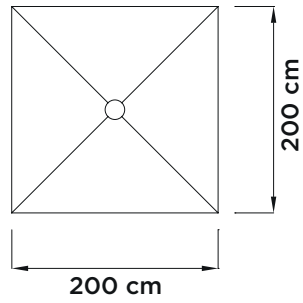
LIPARI - SURFACE MOUNT PLATE
WITH TUBE GBASE007500



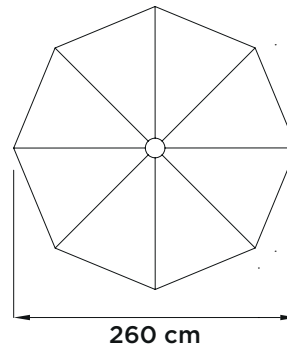
LIPARI - FREESTANDING STEEL
PLATE 50 kg GBASE008500#X



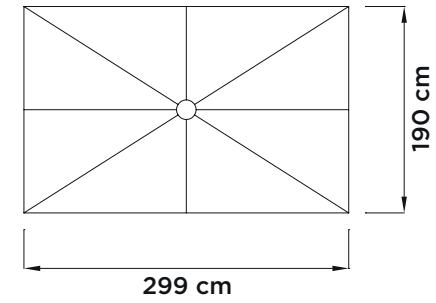
LIPARI 200x200



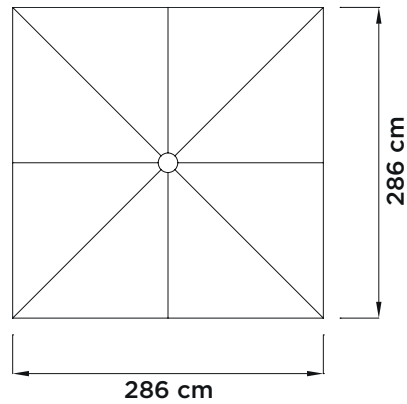
LIPARI D260



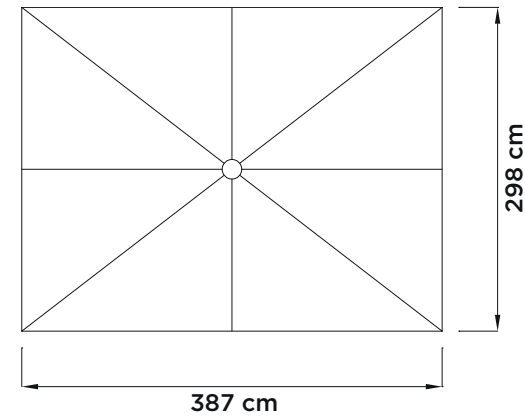
LIPARI 200x300



LIPARI 300x300



LIPARI 300x400



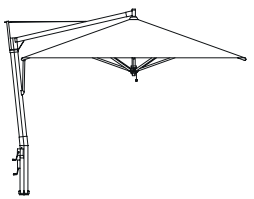

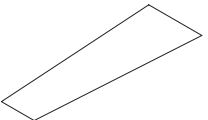
LIPARI MEASURES																					
SIZE (cm)	A*	B*	C*	D	E	F	G**	H**	I**	J	K	L	M***	N***	O***	P	Q	R	S	T	U
D260				273	96	221	277	100	225	278	101	226	276	99	224	263	86	211	270	93	218
200x200				273	133	228	277	137	232	278	138	233	276	136	231	263	123	218	270	130	225
200x300				273	81	236	277	85	240	278	86	241	276	84	239	263	71	226	270	78	233
300x300				273	60	231	277	64	235	278	65	236	276	63	233	263	50	221	270	57	227
300x400	298	48	235										291	41	228				285	35	222

* for base GBASE004600 with wheels GRUOT000100 add 6 cm to every measure of the columns (A, B, C).

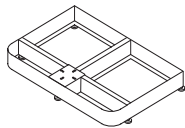
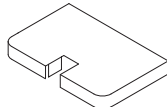

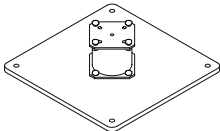
** for concrete base 40 kg with wheels GRUOT000300 add 6 cm to every measure of the columns (G, H, J).

*** for granite base 75 kg with wheels GRUOT000200 add 8 cm to every measure of the columns (M, N, O).

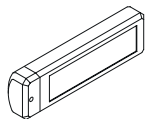
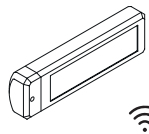
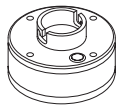
CONTRACT ALUMINUM SIDE POST UMBRELLA

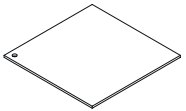
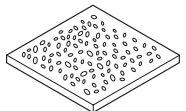
CODE	DESCRIPTION	UNIT PRICE IN €				
		Acrylic ecru A00	Solution dyed Acrylic	Micro-mesh	Airfim	
 <p>SINGOLO Powder coated aluminum frame in silver (SILV), graphite (GRAF) or white (BIAN) color. Pole 10x10 cm, aluminum ribs 40x18 mm. Crank mechanism for easy opening. Integrated lifting mechanism to lift the umbrella, which allows the closing of the unit without having to move the furniture placed underneath. Cover dimension: square 388x388 cm. Base is sold separately. Minimum recommended weight: 250 kg. 4 pkg. - wt. 65,8 kgs - vol. 0,26 m³</p>		(without valances, with vent)	(without valances, with vent)	(without valances, without vent)	(with valances, with vent)	
	SIN#388388A	SINGOLO 388X388 AL SILV/GRAF/BIAN	4.018	4.280	4.280	4.411
		EXTRA COST FOR VALANCE SOLUTION DYED ACRYLIC FABRIC		227		
		EXTRA COST FOR SOLUTION DYED ACRYLIC FABRIC SPECIAL COLOR		+ 18%		
	RCART000030	SPECIAL COLOR RAL (only RAL color chart)	ON REQUEST			
 <p>PROTECTION COVER FOR SINGOLO Grey Airfim protection cover with aluminium ribs. To be fitted on the mounted and closed parasol. 1 pkg. - wt. 1,5 kgs - vol. 0,024 m³</p>		Airfim				
	GFDAI000700	GRUPPO FODERO CAPRI CON ASTINA AIRFIM	251			
 <p>SINGOLO GUTTER To join several Singolo. Fixing system: - cover without valances with snap buttons on the ribs (GCN..002900); - cover with valances with velcro (GCNAI000600). 1 pkg. - wt. 1 kgs - vol. 0,005 m³</p>		Acrylic ecru A00	Solution dyed Acrylic	Micro-mesh	Airfim	
	GCN..002900	CANALINA SINGOLO/MAXI 388x388 CON BOTTONI	251	251	251	
	GCNAI000600	GRUPPO CANALINA 388 AI				251

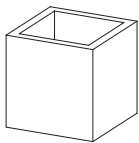
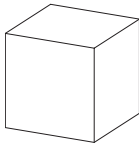
SINGOLO BASES

CODE	DESCRIPTION	UNIT PRICE IN €
	FREESTANDING BASE ALU 1 Rectangular base made of powder coated aluminum in silver (SILV), graphite (GRAF) or white (BIAN) color, with adjustable feet. Requires 50x50 cm concrete (12 pcs) or iron (14 pcs) tiles. Minimum recommended ballast: 250 kg. For complete measures see the end of the price-list. Price for 1 base. 1 pkg. - wt. 15,3 kgs - vol. 0,132 m ³	
GBASE003400	GRUPPO BASE PIASTRA ALU 1 SILV/GRAF/BIAN	656
	BASE COVER ALU 1 Cover made of powder coated aluminum in silver (SILV), graphite (GRAF) or white (BIAN) color. For GBASE003400. Price for 1 cover. 1 pkg. - wt. 11 kgs - vol. 0,132 m ³	
PCART001301	COPERTURA BASE PIASTRA ALU 1 SILV/GRAF/BIAN	539
	GROUND INSERT BASE WITH EXTENTION Zinc plated steel ground insert base with extension piece (height 13 cm), in silver (SILV), graphite (GRAF) or white (BIAN) color. Supplied with hardware. For complete measures see the end of the price-list. Price for 1 base. 1 pkg. - wt. 4,7 kgs - vol. 0,012 m ³	
GBASE000900	GRUPPO BASE STYLO UNIV+PR SILV/GRAF/BIAN	239
	SURFACE MOUNT PLATE WITH EXTENTION Galvanized and powder coated square steel plate 45x45 cm, thickness 1,5 cm with extension piece (height 13 cm) in silver (SILV), graphite (GRAF) or white (BIAN) color. It must be fixed to the ground by 4 chemical anchors (not supplied). For complete measures see the end of the price-list. Price for 1 base. 2 pkg. - wt. 17,5 kgs - vol. 0,025 m ³	
GBASE006500	GRUPPO PIASTRA GROUND 450X450 C/ PROLUNGA BASE STYLO	663

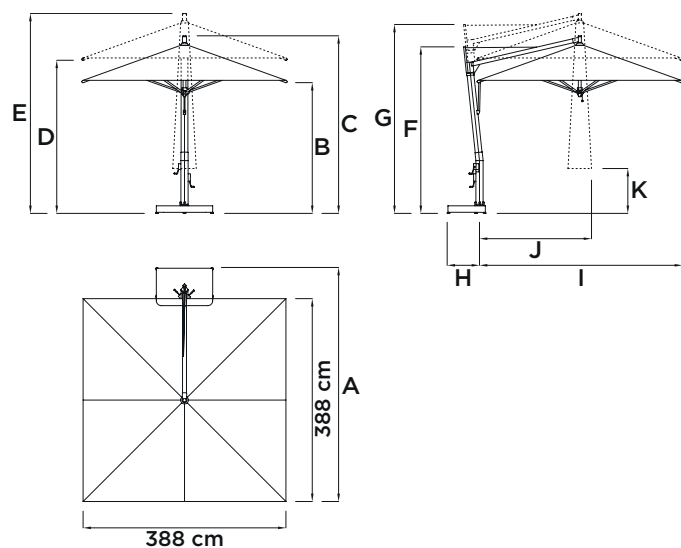
SINGOLO ACCESSORIES

CODE	DESCRIPTION	UNIT PRICE IN €
	HEATER FOR SINGOLO Heater with direct connection ON/OFF by plug in, silver colour, voltage 220V, power 2200W, protection rating IPX5. Heating area: ~ 20/25 m ² - 215/269 ft ² . Set made of 1 heater. Supplied with fixing system. Price for 1 Heater. 2 pkg. - wt. 5,5 kgs - vol. 0,042 m ³	
GRISC000500	KIT 1 RISCALDAT H9 2200W-STAFFA PANTOGRAFO X SINGOLO	753
	HEATER FOR SINGOLO WITH REMOTE CONTROL Heater with connection ON/OFF by remote control, power regulation, silver colour, voltage 220V, power 2000W, protection rating IPX5. Heating area: ~ 20/25 m ² - 215/269 ft ² . Set made of 1 heater. Supplied with fixing system. Price for 1 Heater. 2 pkg. - wt. 6,7 kgs - vol. 0,042 m ³	
GRISC000600	KIT 1 RISCALDAT H9 2000W-BLUETOOTH-STAFFA PANTOGRAFO X SING	1.282
	ROUND LED LIGHTING LED lighting supplied with USB cable for charging, charger included, lithium battery, 3W power, 280 Lumen. Usage time: ~ 8 hours. Coupling on the lower hub. NET Price for 1 lamp. 1 pkg. - wt. 1 kgs - vol. 0,003 m ³	
GLAMP000200	LAMPADA ROUND PER CAPRI - RODI - CONTRACT BIANCO	384 NET

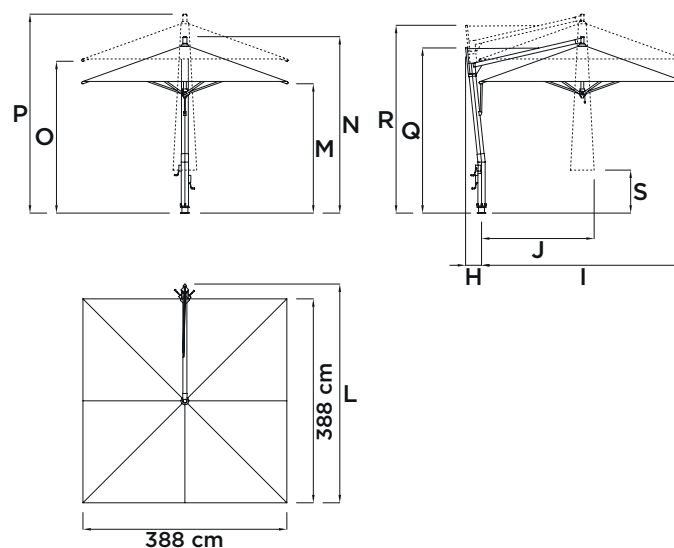
CODE	DESCRIPTION	UNIT PRICE IN €
	STEEL PLATE Zinc plated iron ballast plate. 50x50x1 cm (20 kg) for GBASE003400. Price for 1 iron plate.	
PPIAS003900	PIASTRA 500X500 SP10 ZAVORRA (IRON PLATES)	214
	CONCRETE BLOCK Concrete ballast block. 50x50x4 cm (22 kg) for GBASE003400. Price for 1 concrete block.	
PGFG05050	PIASTRELLA GHIAINO FINE GRIGIO 50X50	21

CODE	DESCRIPTION	UNIT PRICE IN €
	VASE Decorative vase made of polyethylene to be used as a ballast. Black or white colors. 50x50x50 cm for GBASE003400. Price for 1 vase. 1 pkg. - wt. 9 kgs - vol. 0,166 m ³	
CACCE000100	VASO 50X50X50 BIANCO O NERO	305
	CUBE Decorative cube made of polyethylene to be used as a seat. Black or white colors. 50x50x50 cm for GBASE003400. Price for 1 cube. 1 pkg. - wt. 8 kgs - vol. 0,166 m ³	
CACCE000200	CUBE 50X50X50 BIANCO O NERO	305

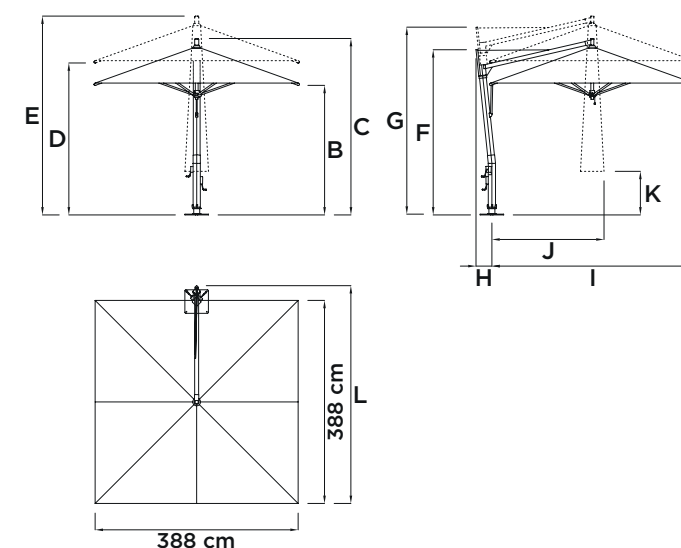
SINGOLO - FREESTANDING BASE ALU 1
GBASE003400



SINGOLO - GROUND INSERT BASE
GBASE000900

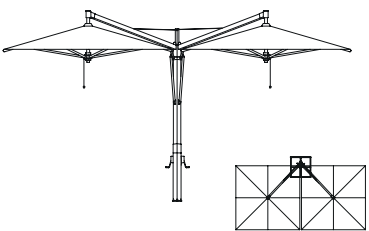

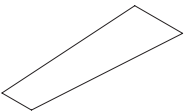


SINGOLO - SURFACE MOUNT PLATE
GBASE006500

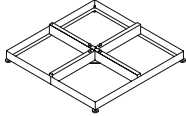
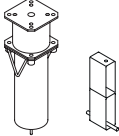
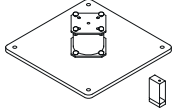


SINGOLO MEASURES																			
SIZE (cm)	A	B	C	D	E	F	G	H	I	J	K	L	M	N	O	P	Q	R	S
388X388	448	250	340	293	382	319	361	62	386	214	86	420	248	338	291	380	317	359	84

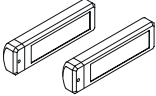
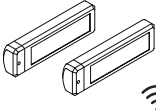
CONTRACT ALUMINUM DOUBLE SIDE POST UMBRELLAS

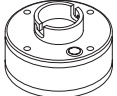
CODE	DESCRIPTION	UNIT PRICE IN €			
		Acrylic ecru A00	Solution dyed Acrylic	Micro-mesh	Airfim
 <p>DOPPIO Powder coated aluminum frame in silver (SILV), graphite (GRAF) or white (BIAN) color. Pole 10x10 cm, aluminum ribs 40x18 mm. Double crank mechanism for independent opening of each umbrella. It allows to close the unit without having to move the furniture placed underneath. Cover dimensions: 700x345 cm - 600x388 cm - 800x290 cm. Base is sold separately. Minimum recommended weight: 320 kg. 5 pkg. - wt. 83,3 kgs - vol. 0,532 m³</p>		(without valances, with vent)	(without valances, with vent)	(without valances, without vent)	(with valances, with vent)
DOP#700345A	DOPPIO 700X345 AL SILV/GRAF/BIAN	5.304	5.670	5.670	5.929
DOP#600388A	DOPPIO 600X388 AL SILV/GRAF/BIAN	5.304	5.670	5.670	5.929
DOP#800290A	DOPPIO 800X290 AL SILV/GRAF/BIAN	5.304	5.670	5.670	5.929
	EXTRA COST FOR VALANCE SOLUTION DYED ACRYLIC FABRIC		392		
	EXTRA COST FOR SOLUTION DYED ACRYLIC FABRIC SPECIAL COLOR		+ 23%		
RCART000030	SPECIAL COLOR RAL (only RAL color chart)	ON REQUEST			
 <p>PROTECTION COVER FOR DOPPIO Grey Airfim protection cover with aluminum ribs. Fits all versions of the Doppio parasol. To be fitted on the mounted and closed parasol. Each Doppio requires 2 protection covers. Price for 1 piece. 1 pkg. - wt. 1,5 kgs - vol. 0,024 m³</p>		Airfim			
GFDAI000700	GRUPPO FODERO CAPRI CON ASTINA AIRFIM	251			
 <p>GUTTER FOR DOPPIO To join adjacent Doppio. Fixing system: - cover without valances with snap buttons on the ribs (GCN..003000 - GCN..003100 - GCN..003200); - cover with valances with velcro (GCNAI000400 - GCNAI000500 - GCNAI000600). Price for 1 gutter. 1 pkg. - wt. 1 kgs - vol. 0,005 m³</p>		Acrylic ecru A00	Solution dyed Acrylic	Micro-mesh	Airfim
GCN..003000	CANALINA DOPPIO LATO 290 C/BOTTONI	194	194	194	
GCNAI000400	CANALINA DOPPIO LATO 290 AI				194
GCN..003200	CANALINA DOPPIO/QUADRUPLO LATO 345 C/BOTTONI	229	229	229	
GCNAI000500	CANALINA DOPPIO/QUADRUPLO LATO 345 AI				229
GCN..003100	CANALINA DOPPIO LATO 390 C/BOTTONI	251	251	251	
GCNAI000600	CANALINA DOPPIO LATO 390 AI				251

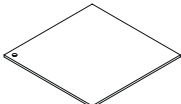
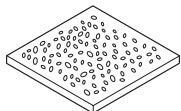
DOPPIO BASES

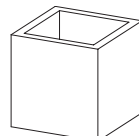
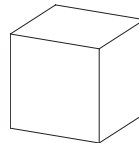
CODE	DESCRIPTION	UNIT PRICE IN €
	<p>FREESTANDING STEEL BASE FE 4</p> <p>Square base made of powder coated steel in silver (SILV), graphite (GRAF) or white (BIAN) color, with adjustable feet. Requires 50x50 cm concrete or iron tiles (minimum 16 pcs). Minimum recommended weight: 320 kg. For complete measures see the end of the price-list. Price for 1 base. 1 pkg. - wt. 17,5 kgs - vol. 0,103 m³</p>	
GBASE000400	GRUPPO BASE P FE 4 SILV/GRAF/BIAN	732
	<p>GROUND INSERT BASE WITH EXTENTION FOR DOPPIO</p> <p>Zinc plated steel ground insert base with extension piece (height 13 cm), in silver (SILV), graphite (GRAF) or white (BIAN) color. Supplied with hardware. For complete measures see the end of the price-list. Price for 1 base. 1 pkg. - wt. 7,5 kgs - vol. 0,033 m³</p>	
GBASE000700	GRUPPO BASE STYLO SD	346
	<p>SURFACE MOUNT PLATE WITH EXTENTION FOR DOPPIO</p> <p>Galvanized and powder coated square steel plate 45x45 cm, thickness 1,5 cm with extension piece (height 13 cm) in silver (SILV), graphite (GRAF) or white (BIAN) color. It must be fixed to the ground by 4 chemical anchors (not supplied). For complete measures see the end of the price-list. Price for 1 base. 2 pkg. - wt. 17,5 kgs - vol. 0,025 m³</p>	
GBASE007200	GRUPPO BASE GROUND 450X450 C/PROLUNGA X CONTRACT DOPPIO	745

DOPPIO ACCESSORIES

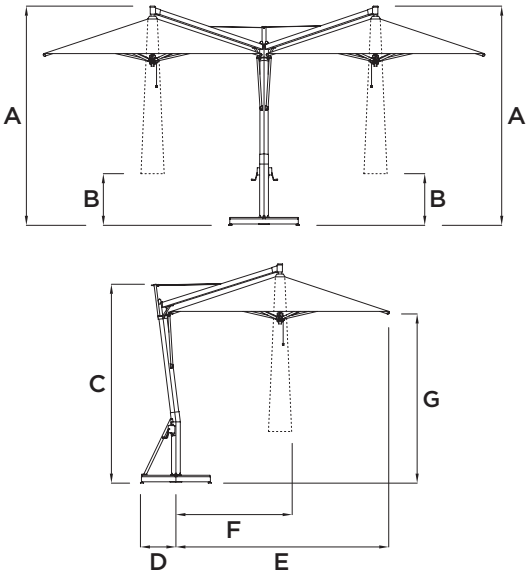
CODE	DESCRIPTION	UNIT PRICE IN €
	<p>HEATERS FOR DOPPIO</p> <p>Heaters with direct connection ON/OFF by plug in, silver color, voltage 220V, power 2200W, protection rating IPX5. Heating area for each heater: ~ 20/25 m² - 215/269 ft². Set made of 2 heaters. Supplied with fixing system. Price for 2 Heaters. 5 pkg. - wt. 11,5 kgs - vol. 0,085 m³</p>	
GRISC000700	KIT 2 RISCALDAT H9 2200W-STAFFA PANT- FIM X DOPPIO	1.830
	<p>HEATERS FOR DOPPIO WITH REMOTE CONTROL</p> <p>Heaters direct connection ON/OFF by remote control, power regulation, silver colour, voltage 220V, power 2000W, protection rating IPX5. Heating area for each heater: ~ 20/25 m² - 215/269 ft². Set made of 2 heaters. Heaters available only in a set of 2 pieces. Supplied with fixing system. Price for 2 Heaters. 5 pkg. - wt. 13,5 kgs - vol. 0,085 m³</p>	
GRISC000800	KIT 2 RISCALDAT H9 2000W-BLUETOOTH-STAFFA PANT-FIM X DOPPIO	2.888

CODE	DESCRIPTION	UNIT PRICE IN €
	ROUND LED LIGHTING LED lighting supplied with USB cable for charging, charger included, lithium battery, 3W power, 280 Lumen. Usage time: ~ 8 hours. Coupling on the lower hub. Doppio requires 2 lamps. NET Price for 1 lamp. 1 pkg. - wt. 1 kgs - vol. 0,003 m ³	
GLAMP000200	LAMPADA ROUND PER CAPRI - RODI - CONTRACT BIANCO	384 NET

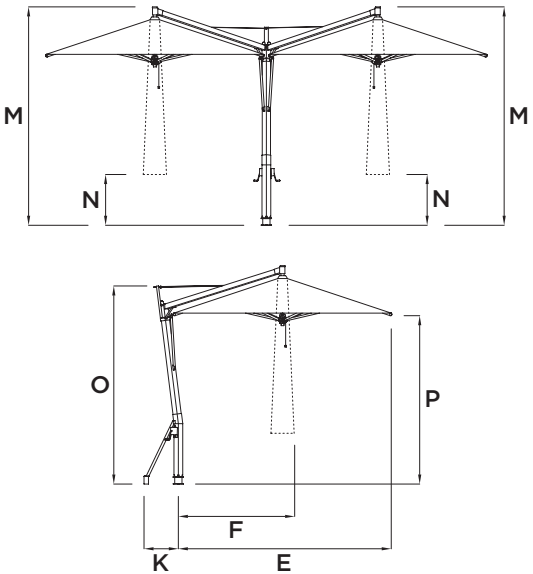
CODE	DESCRIPTION	UNIT PRICE IN €
	STEEL PLATE Zinc plated iron ballast plate. 50x50x1 cm (20 kg) for GBASE000400. Price for 1 iron plate.	
PPIAS003900	PIASTRA 500X500 SP10 ZAVORRA (IRON PLATES)	214
	CONCRETE BLOCK Concrete ballast block. 50x50x4 cm (22 kg) for GBASE000400. Price for 1 concrete block.	
PGFG05050	PIASTRELLA GHIAINO FINE GRIGIO 50X50	21

CODE	DESCRIPTION	UNIT PRICE IN €
	VASE Decorative vase made of polyethylene to be used as a ballast. Black or white colors. 50x50x50 cm for GBASE000400. Price for 1 vase. 1 pkg. - wt. 9 kgs - vol. 0,166 m ³	
CACCE000100	VASO 50X50X50 BIANCO O NERO	305
	CUBE Decorative cube made of polyethylene to be used as a seat. Black or white colors. 50x50x50 cm for GBASE000400. Price for 1 cube. 1 pkg. - wt. 8 kgs - vol. 0,166 m ³	
CACCE000200	CUBE 50X50X50 BIANCO O NERO	305

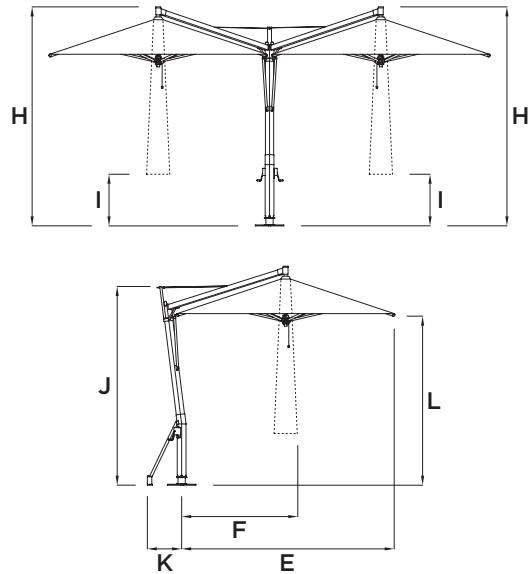
DOPPIO - FREESTANDING BASE FE 4
GBASE00400



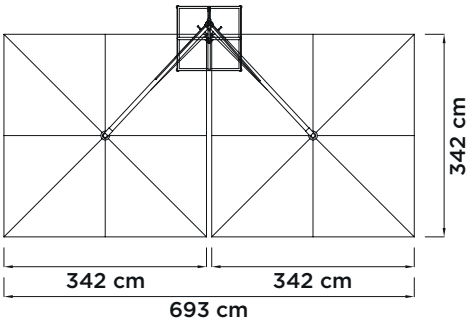
DOPPIO - GROUND INSERT BASE
GBASE00700



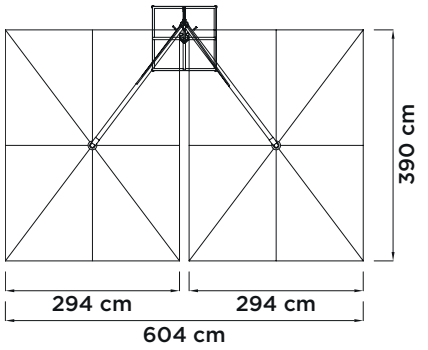
DOPPIO - SURFACE MOUNT PLATE
GBASE07200



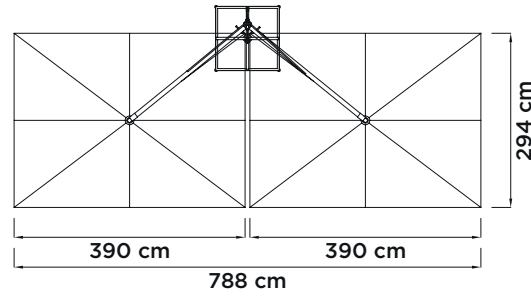
DOPPIO 700x345



DOPPIO 600x388

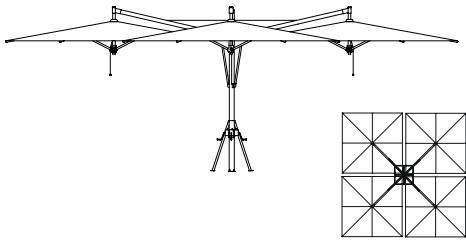

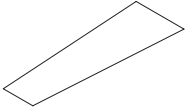


DOPPIO 800x290

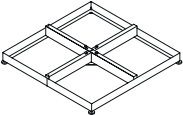
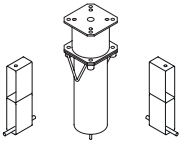
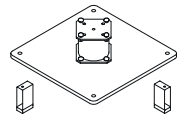


DOPPIO MEASURES																
SIZE (cm)	A	B	C	D	E	F	G	H	I	J	K	L	M	N	O	P
700x345	345	83	312	54	325	182	272	348	84	316	54	269	346	82	314	267
600x388	345	81	313	54	377	199	287	348	73	316	54	276	346	71	314	274
800x290	340	80	313	54	287	156	283	348	75	316	54	278	346	73	314	276

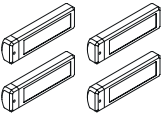
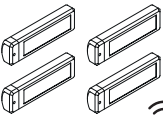
CONTRACT ALUMINUM QUADRUPLE SIDE POST UMBRELLAS

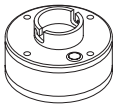
CODE	DESCRIPTION	UNIT PRICE IN €			
		Acrylic ecru A00	Solution dyed Acrylic	Micro-mesh	Airfim
	QUADRUPLO Powder coated aluminum frame in silver (SILV), graphite (GRAF) or white (BIAN) color. Pole 10x10 cm, aluminum ribs 40x18 mm. Quadruple crank mechanism for independent opening of each umbrella. It allows to close the unit without having to move the furniture placed underneath. Cover dimensions: square 624x624 cm and 700x700 cm. Base is sold separately. Minimum recommended weight to be put on the base: 450 kg. 8 pkg. - wt. 136 kgs - vol. 0,88 m ³	(without valances, with vent)	(without valances, with vent)	(without valances, without vent)	(with valances, with vent)
	QUA#700700A QUADRUPLO 700X700 AL SILV/GRAF/BIAN 8.777 9.515 9.515 10.028	QUA#624624A QUADRUPLO 624X624 AL SILV/GRAF/BIAN 7.989 8.657 8.657 9.126	EXTRA COST FOR VALANCE SOLUTION DYED ACRYLIC FABRIC 783		
EXTRA COST FOR SOLUTION DYED ACRYLIC FABRIC SPECIAL COLOR + 28%		ON REQUEST			
RCART000030	SPECIAL COLOR RAL (only RAL color chart)	ON REQUEST			
	PROTECTION COVER FOR QUADRUPLO Grey Airfim protection cover with aluminum ribs. Fits all versions of the Quadruplo parasol. To be fitted on the mounted and closed parasol. Each Quadruplo requires 4 protection covers. Price for 1 piece. 1 pkg. - wt. 1,5 kgs - vol. 0,024 m ³	Airfim			
	GFDAI000700	GRUPPO FODERO CAPRI CON ASTINA AIRFIM	251		
	GUTTER FOR QUADRUPLO To join adjacent Doppio. Fixing system: - cover without valances with snap buttons on the ribs (GCN..003200 - GCN..003400); - cover with valances with velcro (GCNAI000500 - GCNAI002300). Price for 1 gutter. 1 pkg. - wt. 1 kgs - vol. 0,005 m ³	Acrylic ecru A00	Solution dyed Acrylic	Micro-mesh	Airfim
	GCN..003200	CANALINA DOPPIO/QUADRUPLO LATO 345 C/BOTTONI	229	229	229
GCNAI000500	CANALINA DOPPIO/QUADRUPLO LATO 345 AI				229
GCN..003400	CANALINA QUADRUPLO 300 CON BOTTONI	194	194	194	
GCNAI002300	GRUPPO CANALINA 300 AI				194

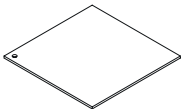
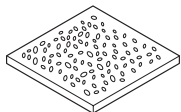
QUADRUPLO BASES

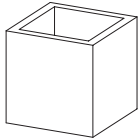
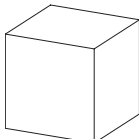
CODE	DESCRIPTION	UNIT PRICE IN €
	FREESTANDING STEEL BASE FE 4 Square base made of powder coated steel in silver (SILV), graphite (GRAF) or white (BIAN) color, with adjustable feet. Requires 50x50 cm concrete or iron tiles (minimum 20 pcs). Minimum recommended weight: 450 kg. For complete measures see the end of the price-list. Price for 1 base. 1 pkg. - wt. 17,5 kgs - vol. 0,103 m ³	
GBASE000400	GRUPPO BASE P FE 4 SILV/GRAF/BIAN	732
	GROUND INSERT BASE WITH EXTENTION FOR QUADRUPLO Zinc plated steel ground insert base with extension piece (height 13 cm), in silver (SILV), graphite (GRAF) or white (BIAN) color. Supplied with hardware. For complete measures see the end of the price-list. Price for 1 base. 1 pkg. - wt. 10 kgs - vol. 0,033 m ³	
GBASE000600	GRUPPO BASE STYLO SQ	444
	SURFACE MOUNT PLATE WITH EXTENTION FOR QUADRUPLO Galvanized and powder coated square steel plate 45x45 cm, thickness 1,5 cm with extension piece (height 13 cm) in silver (SILV), graphite (GRAF) or white (BIAN) color. It must be fixed to the ground by 4 chemical anchors (not supplied). For complete measures see the end of the price-list. Price for 1 base. 2 pkg. - wt. 17,5 kgs - vol. 0,025 m ³	
GBASE007100	GRUPPO BASE GROUND 450X450 X QUADRUPLO C/PROLUNGA	826

QUADRUPLO ACCESSORIES

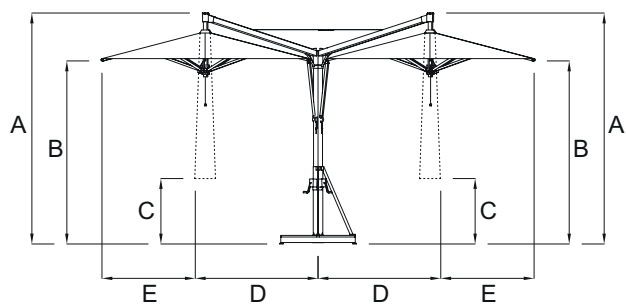
CODE	DESCRIPTION	UNIT PRICE IN €
	HEATERS FOR QUADRUPLO Heaters with direct connection ON/OFF by plug in, silver color, voltage 220V, power 2200W, protection rating IPX5. Heating area for each heater: ~ 20/25 m ² - 215/269 ft ² . Set made of 4 heaters. Supplied with fixing system. Price for 4 Heaters. 9 pkg. - wt. 23 kgs - vol. 0,172 m ³	
GRISC000900	KIT 4 RISCALDAT H9 2200W - STAFFA PANTOGRAFO - FIM X QUADRUPLO	3.659
	HEATERS FOR QUADRUPLO WITH REMOTE CONTROL Heaters with connection ON/OFF by remote control, power regulation, silver colour, voltage 220V, power 2000W, protection rating IPX5. Heating area for each heater: ~ 20/25 m ² - 215/269 ft ² . Set made of 4 heaters. Supplied with fixing system. Price for 4 Heaters. 9 pkg. - wt. 27,8 kgs - vol. 0,172 m ³	
GRISC001000	KIT 4 RISCALDAT H9 2000W - BLUETOOTH-STAFFA PANT - FIM X QUADRUPLO	5.776

CODE	DESCRIPTION	UNIT PRICE IN €
	<p>ROUND LED LIGHTING</p> <p>LED lighting supplied with USB cable for charging, charger included, lithium battery, 3W power, 280 Lumen. Usage time: ~ 8 hours. Coupling on the lower hub. Quadruplo requires 4 lamps. NET Price for 1 lamp. 1 pkg. - wt. 1 kgs - vol. 0,003 m³</p>	
GLAMP000200	LAMPADA ROUND PER CAPRI - RODI - CONTRACT BIANCO	384 NET

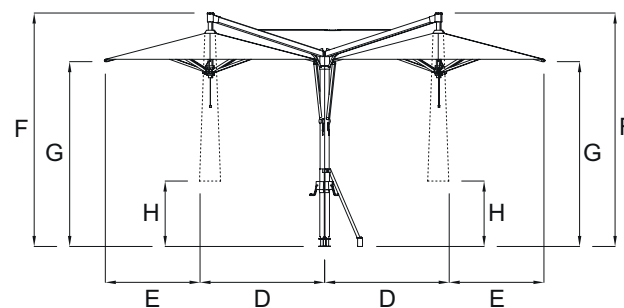
CODE	DESCRIPTION	UNIT PRICE IN €
	<p>STEEL PLATE</p> <p>Zinc plated iron ballast plate. 50x50x1 cm (20 kg) for GBASE000400. Price for 1 iron plate.</p>	
PPIAS003900	PIASTRA 500X500 SP10 ZAVORRA (IRON PLATES)	214
	<p>CONCRETE BLOCK</p> <p>Concrete ballast block. 50x50x4 cm (22 kg) for GBASE000400. Price for 1 concrete block.</p>	
PGFG05050	PIASTRELLA GHIAINO FINE GRIGIO 50X50	21

CODE	DESCRIPTION	UNIT PRICE IN €
	<p>VASE</p> <p>Decorative vase made of polyethylene to be used as a ballast. Black or white colors. 50x50x50 cm for GBASE000400. Price for 1 vase. 1 pkg. - wt. 9 kgs - vol. 0,166 m³</p>	
CACCE000100	VASO 50X50X50 BIANCO O NERO	305
	<p>CUBE</p> <p>Decorative cube made of polyethylene to be used as a seat. Black or white colors. 50x50x50 cm for GBASE000400. Price for 1 cube. 1 pkg. - wt. 8 kgs - vol. 0,166 m³</p>	
CACCE000200	CUBE 50X50X50 BIANCO O NERO	305

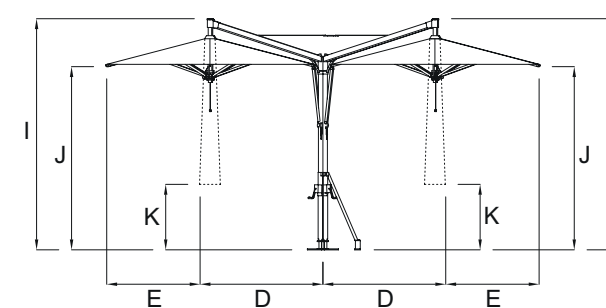
QUADRUPLO - FREESTANDING BASE FE 4
GBASE000400



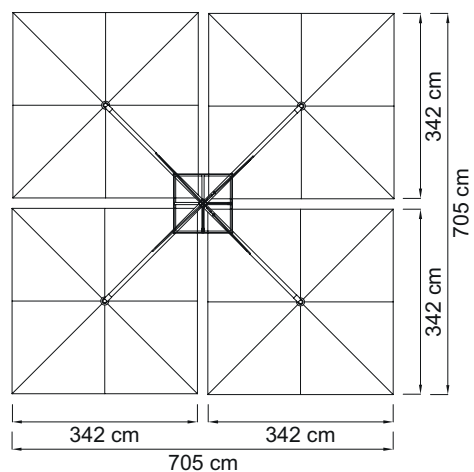
QUADRUPLO - GROUND INSERT BASE
GBASE000600



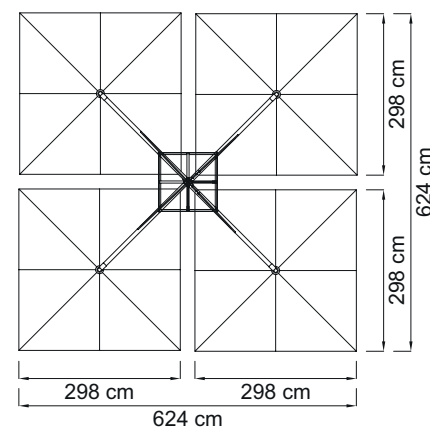
QUADRUPLO - SURFACE MOUNT PLATE
GBASE007100



QUADRUPLO 700x700

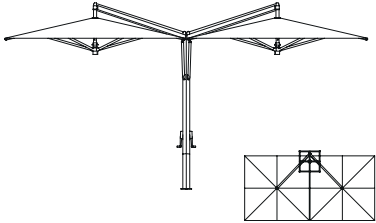
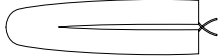
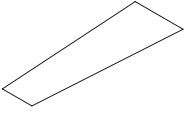


QUADRUPLO 624x624

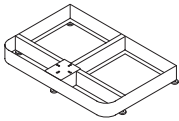
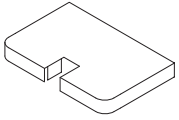
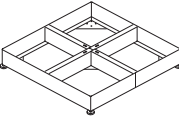
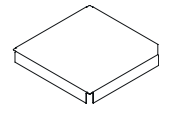

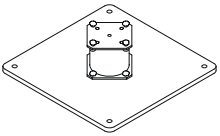


DOPPIO MEASURES											
SIZE (cm)	A	B	C	D	E	F	G	H	I	J	K
700x700	347	272	85	200	152,5	341	262	77	343	264	79
624x624	334	265	95	177	135	335	266	96	337	268	98

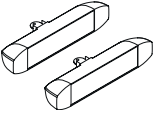
CONTRACT ALUMINUM DOUBLE SIDE POST UMBRELLAS

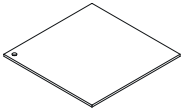
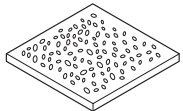
CODE	DESCRIPTION	UNIT PRICE IN €		
		Olefim	Solution dyed Acrylic	Airfim
 <p>SOLEADO Powder coated aluminum frame in silver (SILV), graphite (GRAF) or white (BIAN) color. Pole 76x76 mm, aluminum ribs. Double crank mechanism for independent opening of each umbrella. It allows to close the unit without having to move the furniture placed underneath. Cover dimensions: 555x272 - 620x190 cm. Base is sold separately. Minimum recommended weight: 250 kg 4 pkg. - wt. 39,5 kgs - vol. 0,372 m³</p>		(without valances, with vent)	(without valances, with vent)	(with valances, with vent)
SOL#555272AG00	SOLEADO 555X272 AL SILV/GRAF/BIAN	2.138	2.241	2.922
SOL#620190AG00	SOLEADO 620X190 AL SILV/GRAF/BIAN	2.138	2.241	2.922
	EXTRA COST FOR VALANCE SOLUTION DYED ACRYLIC FABRIC		309	
	EXTRA COST FOR SOLUTION DYED ACRYLIC FABRIC SPECIAL COLOR		+ 44%	
RCART000030	SPECIAL COLOR RAL (only RAL color chart)	ON REQUEST		
 <p>PROTECTION COVER FOR SOLEADO Grey Airfim protection cover with aluminum ribs. Fits all versions of the Soleado parasol. To be fitted on the mounted and closed parasol. Each Soleado requires 2 protection covers. Price for 1 piece. 1 pkg. - wt. 1,5 kgs - vol. 0,024 m³</p>			Airfim	
GFDAI000600	GRUPPO FODERO ISCHIA CON ASTINA AIRFIM		180	
 <p>GUTTER FOR SOLEADO To join adjacent Soleado. Fixing system: - cover without valances with snap buttons on the ribs (GCN..003600 - GCN..003700); - cover with valances with velcro (GCNAI000300 - GCNAI000700). Price for 1 gutter. 1 pkg. - wt. 1 kgs - vol. 0,005 m³</p>		Olefim	Solution dyed Acrylic	Airfim
GCN..003600	CANALINA SOLEADO 190 CON BOTTONI	162	162	
GCNAI000300	GRUPPO CANALINA 190 AI			162
GCN..003700	CANALINA SOLEADO 272 CON BOTTONI	194	194	
GCNAI000700	GRUPPO CANALINA 272 AI			194

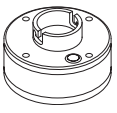
SOLEADO BASES

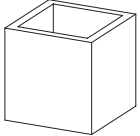
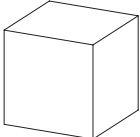
CODE	DESCRIPTION	UNIT PRICE IN €
	FREESTANDING BASE ALU 1 Rectangular base made of powder coated aluminum in silver (SILV), graphite (GRAF) or white (BIAN) color, with adjustable feet. Requires 50x50 cm concrete (12 pcs) or iron (12 pcs) tiles. Minimum recommended ballast: 250 kg. For complete measures see the end of the price-list. Price for 1 base. 1 pkg. - wt. 15,3 kgs - vol. 0,132 m ³	
GBASE003400	GRUPPO BASE PIASTRA ALU 1 SILV/GRAF/BIAN	656
	BASE COVER ALU 1 Cover made of powder coated aluminum in silver (SILV), graphite (GRAF) or white (BIAN) color. For GBASE003400. Price for 1 cover. 1 pkg. - wt. 11 kgs - vol. 0,132 m ³	
PCART001301	COPERTURA BASE PIASTRA ALU 1 SILV/GRAF/BIAN	539
	FREESTANDING BASE ALU 4 Square base made of powder coated aluminum in silver (SILV), graphite (GRAF) or white (BIAN) color, with adjustable feet. Requires 40x40 cm concrete tiles (16 pcs). Minimum recommended ballast: 250 kg. For complete measures see the end of the price-list. Price for 1 base. 1 pkg. - wt. 13 kgs - vol. 0,135 m ³	
GBASE003700	GRUPPO BASE P ALU 4 80x80 SILV/GRAF/BIAN	612
	BASE COVER 40x40 Cover made of powder coated aluminum in graphite (GRAF) color. For GBASE003700. 4 pieces are required for each base. Price for 1 cover. 2 pkg. (4 pcs.) - wt. 6 kgs - vol. 0,03 m ³	
PCART002300	COPERTURA PER MATTONELLE 409x409 SP60	148
	GROUND INSERT BASE WITH EXTENTION Zinc plated steel ground insert base with extension piece (height 13 cm), in silver (SILV), graphite (GRAF) or white (BIAN) color. Supplied with fixing screws. For complete measures see the end of the price-list. Price for 1 base. 1 pkg. - wt. 4,7 kgs - vol. 0,012 m ³	
GBASE000900	GRUPPO BASE STYLO UNIV+PR SILV/GRAF/BIAN	239
	SURFACE MOUNT PLATE WITH EXTENTION Galvanized and powder coated square steel plate 45x45 cm, thickness 1,5 cm with extension piece (height 13 cm) in silver (SILV), graphite (GRAF) or white (BIAN) color. It must be fixed to the ground by 4 chemical anchors (not supplied). For complete measures see the end of the price-list. Price for 1 base. 2 pkg. - wt. 17,5 kgs - vol. 0,025 m ³	
GBASE006500	GRUPPO PIASTRA GROUND 450X450 C/ PROLUNGA BASE STYLO	663

SOLEADO ACCESSORIES

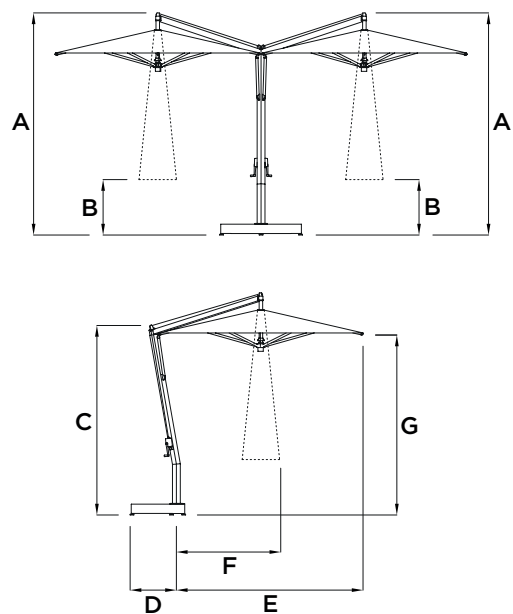
CODE	DESCRIPTION	UNIT PRICE IN €
	HEATERS FOR SOLEADO Heaters with direct connection ON/OFF by plug in, micaceous color, 220V tension, 2000W power, protection rating IPX5. Heating area for each heater: ~ 12/15 m ² - 129/161 ft ² . Set made of 2 heaters. Supplied with fixing system. Price for 2 Heaters. 4 pkg. - wt. 7 kgs - vol. 0,042 m ³	
GRISC000400	KIT 2 RISCALDAT CH11 2000W-STAFFA PANTOGRAFO-CAPRI-SOLEADO	1.328

CODE	DESCRIPTION	UNIT PRICE IN €
	STEEL PLATE Zinc plated iron ballast plate. 50x50x1 cm (20 kg) for GBASE003400. Price for 1 iron plate.	
PPIAS003900	PIASTRA 500X500 SP10 ZAVORRA (IRON PLATES)	214
	CONCRETE BLOCK Concrete ballast block. 40x40x4 cm (15 kg) for GBASE003700. 50x50x4 cm (22 kg) for GBASE003400. Price for 1 concrete block.	
PGFG04040	PIASTRELLA GHIAINO FINE GRIGIO 40X40	21
PGFG05050	PIASTRELLA GHIAINO FINE GRIGIO 50X50	21

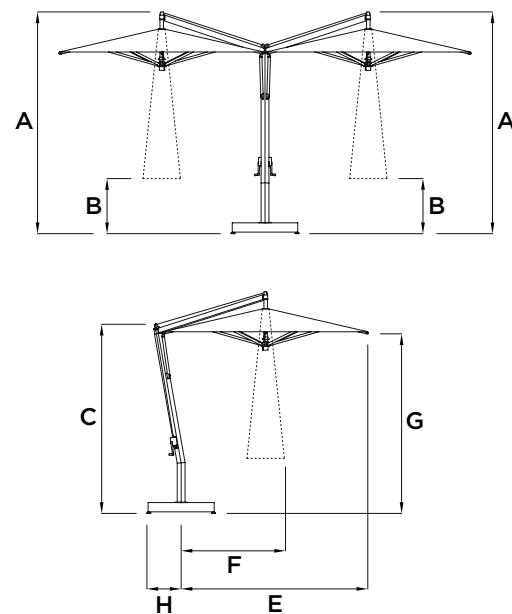
CODE	DESCRIPTION	UNIT PRICE IN €
	ROUND LED LIGHTING LED lighting supplied with USB cable for charging, charger included, lithium battery, 3W power, 280 Lumen. Usage time: ~ 8 hours. Coupling on the lower hub. Soleado requires 2 lamps. NET Price for 1 lamp. 1 pkg. - wt. 1 kgs - vol. 0,003 m ³	
GLAMP000300	LAMPADA ROUND PER ISCHIA-GARDA-RIO-SOLEADO PL BIANCO	384 NET

CODE	DESCRIPTION	UNIT PRICE IN €
	VASE Decorative vase made of polyethylene to be used as a ballast. Black or white colors. 50x50x50 cm for GBASE003400. 40x40x40 cm for GBASE003700. Price for 1 vase. 1 pkg. - wt. 9 kgs - vol. 0,166 m ³	
CACCE000100	VASO 40X40X40 BIANCO O NERO	204
CACCE000100	VASO 50X50X50 BIANCO O NERO	305
	CUBE Decorative cube made of polyethylene to be used as a seat. Black or white colors. 50x50x50 cm for GBASE003400. 40x40x40 cm for GBASE003700. Price for 1 cube. 1 pkg. - wt. 8 kgs - vol. 0,166 m ³	
CACCE000200	CUBE 40X40X40 BIANCO O NERO	204
CACCE000200	CUBE 50X50X50 BIANCO O NERO	305

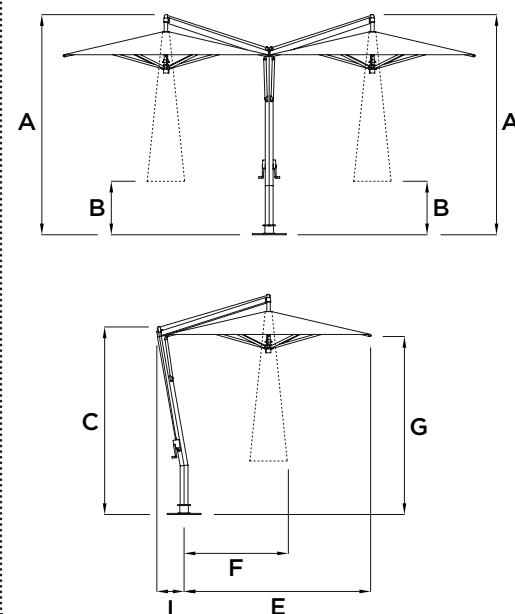
SOLEADO - FREESTANDING BASE ALU 1
GBASE003400



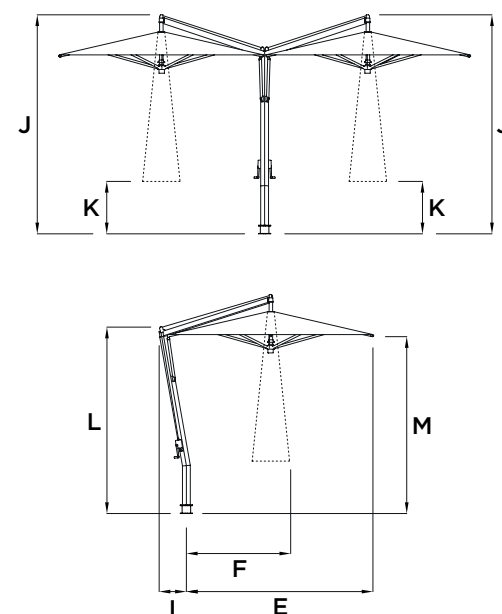
SOLEADO - FREESTANDING BASE ALU 4
GBASE003700



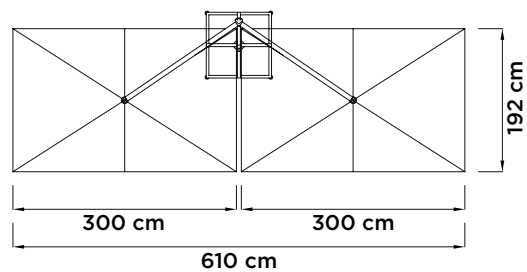
SOLEADO - SURFACE MOUNT PLATE
GBASE006500



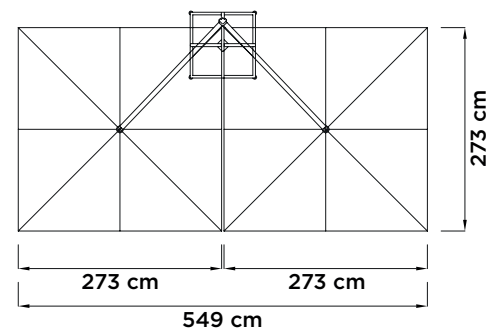
SOLEADO - GROUND INSERT BASE
GBASE000900



SOLEADO 620x190



SOLEADO 555x272



SOLEADO MEASURES													
SIZE (cm)	A	B	C	D	E	F	G	H	I	J	K	L	M
555x272	297	74	254	62	250	138	240	46	36	295	72	252	238
620x190	294	94	254	62	171	99	240	46	36	292	92	252	238

BASES

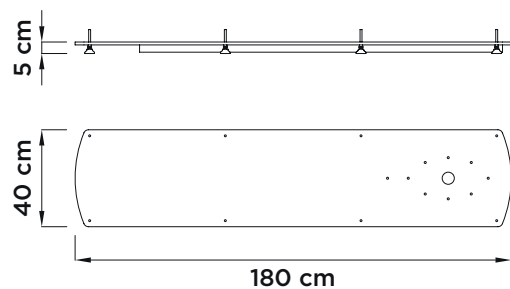
In order to ensure that the parasol does not take off as soon as the first wind blows, we recommend to take sufficient time to decide the area where you want to place the sunshade. The size and the quality of the umbrella, the place and the times it will be used determine the type of fastening that can be used and this in turn depends on the location, the ground characteristics, the course of the sun and the amount of space available :

- If you are flexible when it comes to the sunshade's location we recommend a classic freestanding base with or without wheels for solid ground.
- If you have set a location outdoors, than a permanently anchored ground insert base is ideal.
- If the underground is solid, a surface mount plate is a very good choice.
- If your seating location has a running wall around it, a wall mount base is a great space-saving fastening solution.

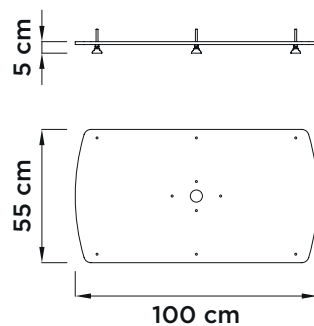
Where possible, we recommend to use sockets that are securely anchored or a ground insert base.

FREESTANDING BASES

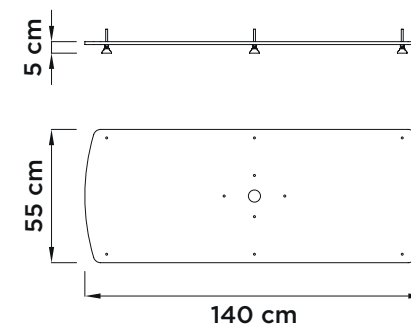
FLEXY ZEN FREESTANDING BASE
GBASE005400



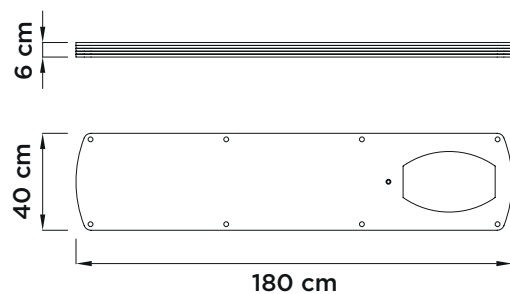
FLEXY TWIN FREESTANDING BASE
GBASE004000



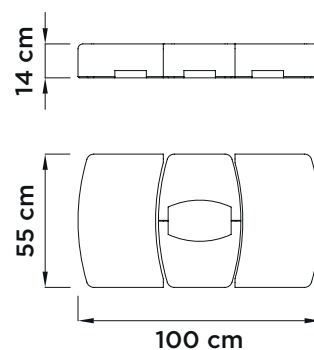
FLEXY LARGE FREESTANDING BASE
GBASE005600



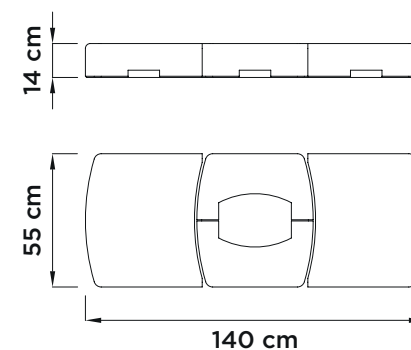
FLEXY ZEN STEEL BALLASTS
GZAVO000300



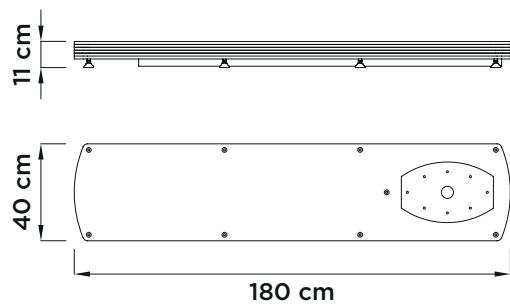
FLEXY TWIN CONCRETE BALLASTS
GZAVO000200



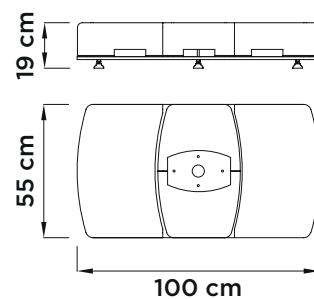
FLEXY LARGE CONCRETE BALLASTS
GZAVO000500



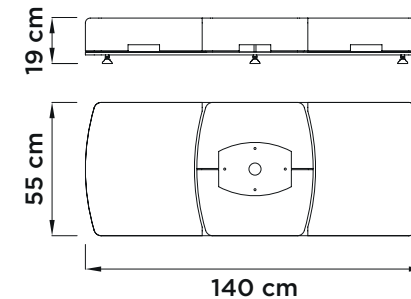
**FLEXY ZEN FREESTANDING BASE
+ FLEXY ZEN STEEL BALLASTS**
GBASE005400 + GZAVO000300



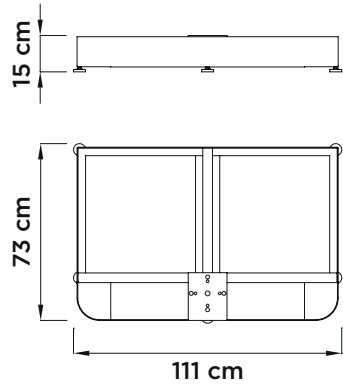
**FLEXY TWIN FREESTANDING BASE
+ FLEXY TWIN CONCRETE BALLASTS**
GBASE004000 + GZAVO000200



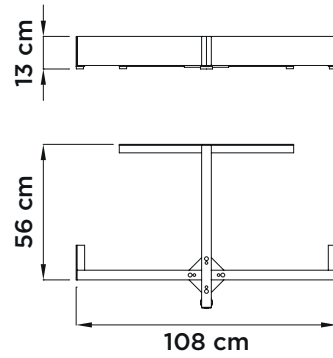
**FLEXY LARGE FREESTANDING BASE
+ FLEXY LARGE CONCRETE BALLASTS**
GBASE005600 + GZAVO000500



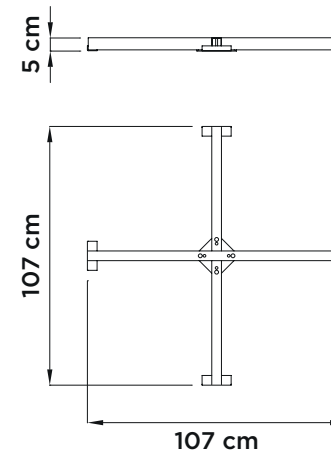
ALU 1 FREESTANDING BASE
GBASE003400



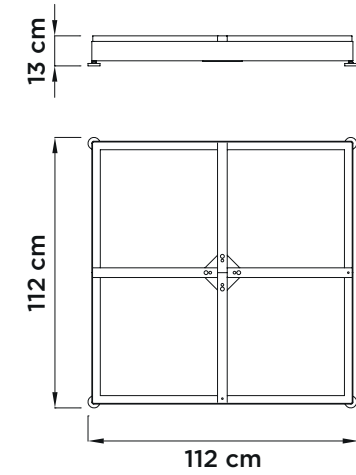
ALU 3 FREESTANDING BASE
GBASE004200



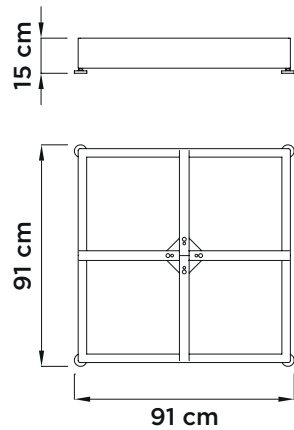
MONTECARLO FREESTANDING BASE
GBASE001100



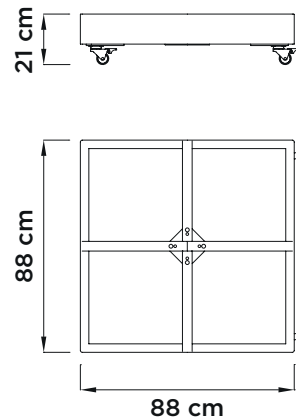
FE 4 FREESTANDING BASE
GBASE000400



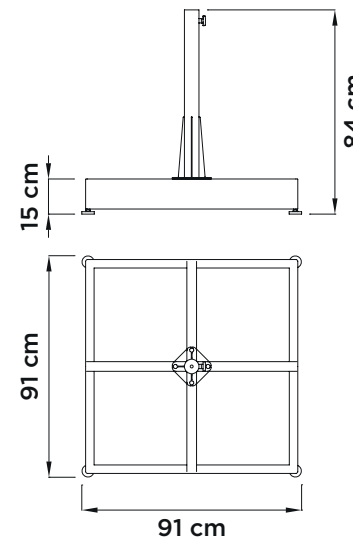
ALU 4 FREESTANDING BASE
GBASE003700



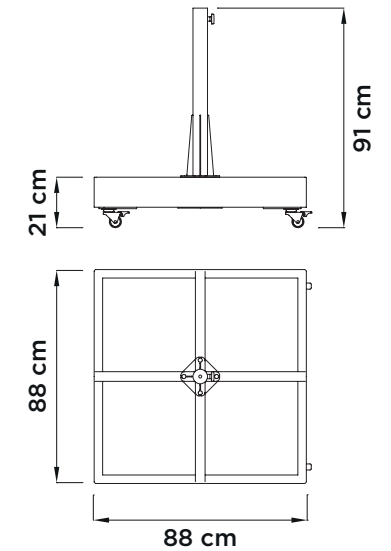
ALU 4 FREESTANDING BASE + WHEELS
GBASE003700 + GRUOT000100



ALU 4 FREESTANDING BASE WITH TUBE
GBASE004600

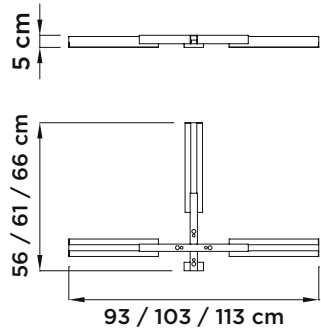


ALU 4 FREESTANDING BASE WITH TUBE + WHEELS
GBASE004600 + GRUOT000100

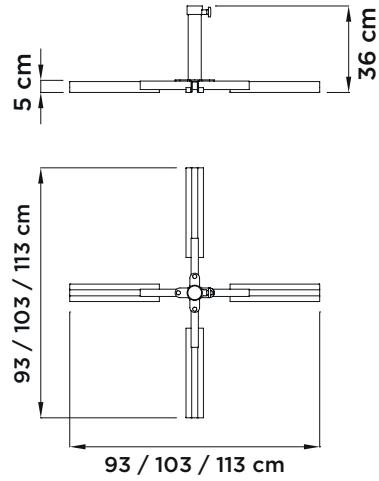


FREESTANDING BASES

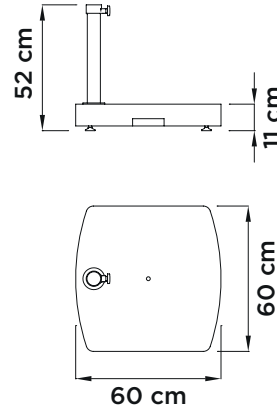
FREESTANDING BASE FE A3
GBASE001500



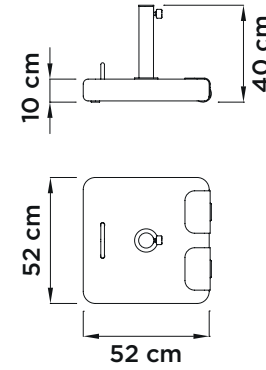
FREESTANDING BASE ARONA
GBASE001700



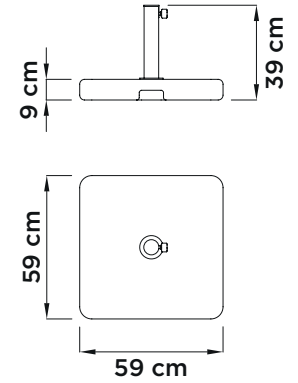
FREESTANDING CONCRETE BASE FOR WALL
GBASE004800



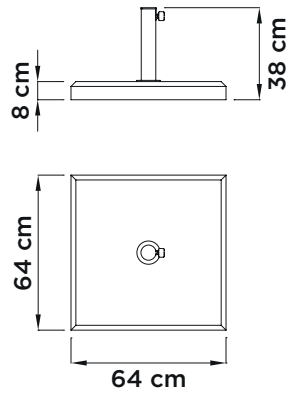
FREESTANDING CONCRETE BASE 45 kg WITH WHEELS
GBASE004400



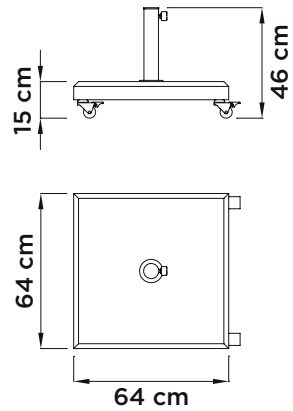
FREESTANDING CONCRETE BASE 60 kg
GBASE008400#



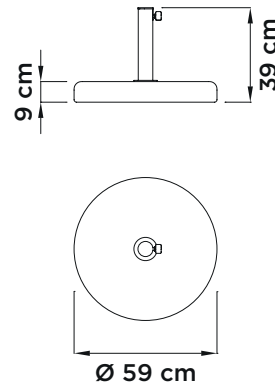
FREESTANDING GRANITE BASE 75 kg
GBASE003600



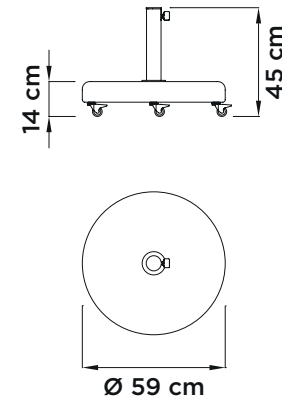
FREESTANDING GRANITE BASE 75 kg + WHEELS
GBASE003600 + GRUOT000200



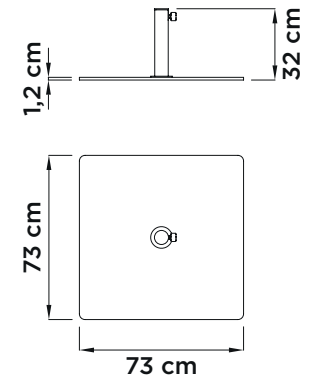
FREESTANDING CONCRETE BASE 40 kg
GBASE003500#



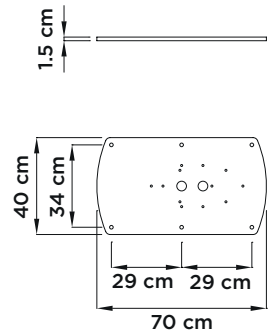
FREESTANDING CONCRETE BASE 40 kg + WHEELS
GBASE003500# + GRUOT000300



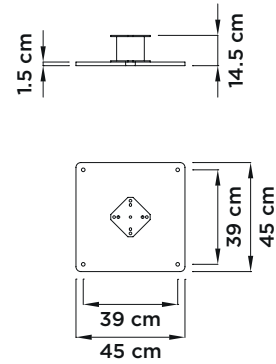
FREESTANDING STEEL PLATE 50 kg
GBASE008500#X



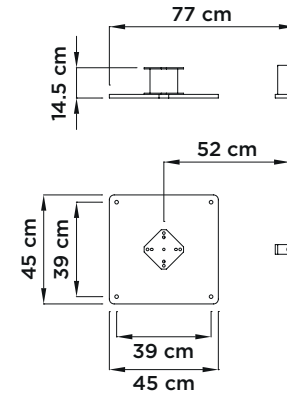
**FLEXY ZEN / LARGE
SURFACE MOUNT PLATE**
GBASE005400



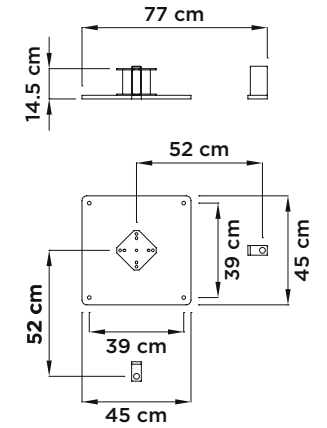
**SURFACE MOUNT PLATE 45x45
WITH EXTENTION FOR SINGOLO**
GBASE006500



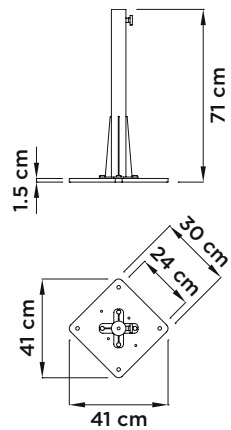
**SURFACE MOUNT PLATE
WITH EXTENTION FOR DOPPIO**
GBASE007200



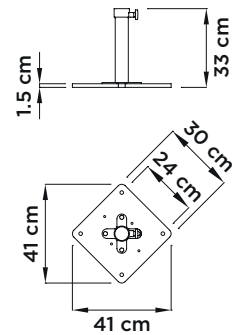
**SURFACE MOUNT PLATE
WITH EXTENTION FOR QUADRUPLIO**
GBASE007100



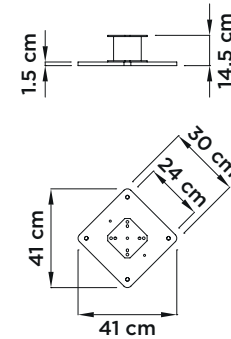
**SURFACE MOUNT PLATE
WITH TUBE**
GBASE006100



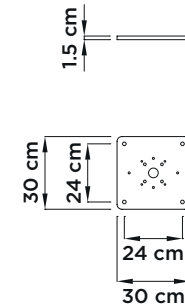
**SURFACE MOUNT PLATE
WITH TUBE**
GBASE007500



**SURFACE MOUNT PLATE
WITH EXTENTION 30x30**
GBASE005800

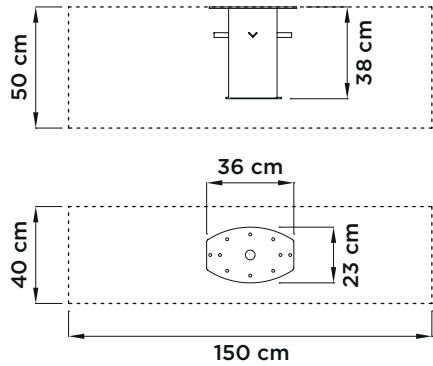


**FLEXY TWIN
SURFACE MOUNT PLATE**
PPIAS011100

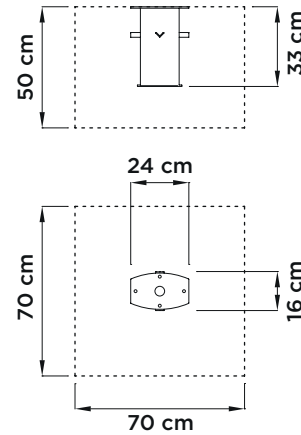


GROUND INSERT AND WALL MOUNT BASES

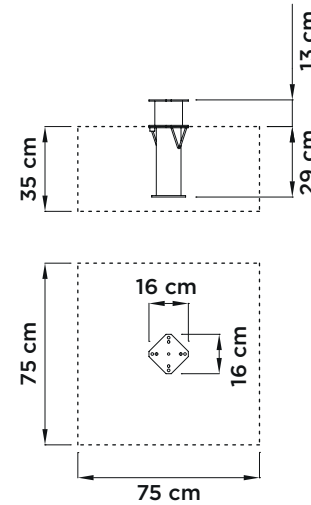
**FLEXY ZEN / LARGE
GROUND INSERT BASE**
GBASE005700



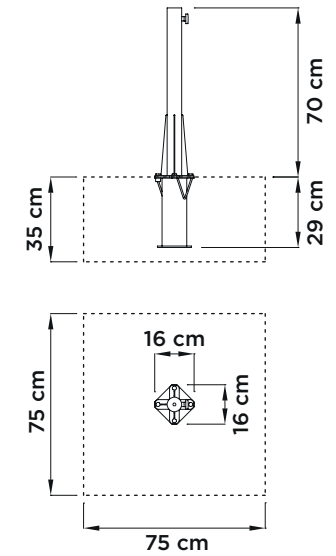
**FLEXY TWIN
GROUND INSERT BASE**
GBASE003100



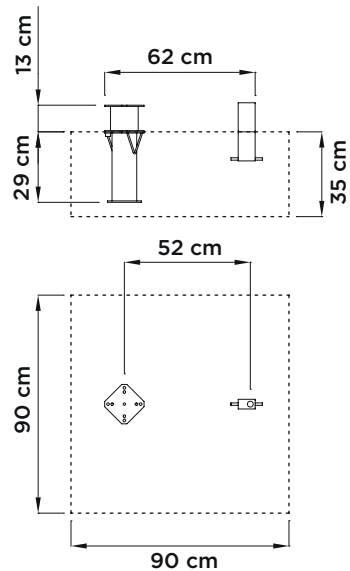
**GROUND INSERT BASE
WITH EXTENTION**
GBASE000900



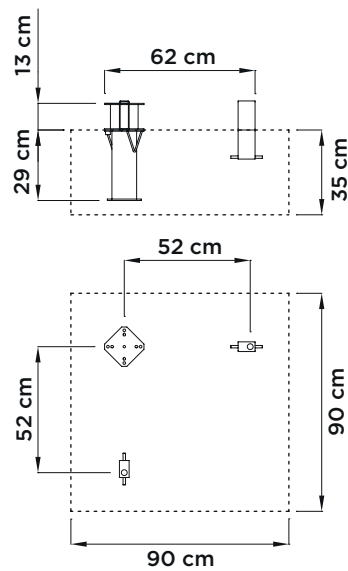
GROUND INSERT BASE WITH TUBE
GBASE006200



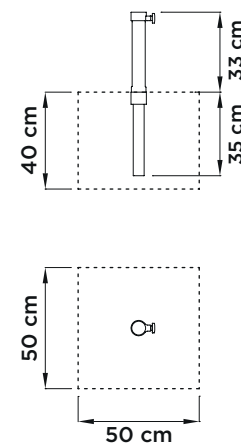
**GROUND INSERT BASE
WITH EXTENTION FOR DOPPIO**
GBASE000700



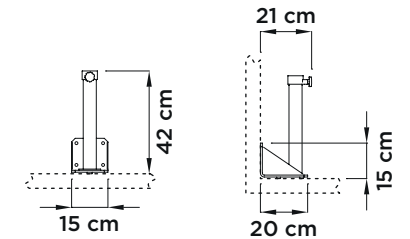
**GROUND INSERT BASE
WITH EXTENTION FOR QUADRUPLO**
GBASE000600



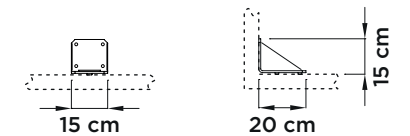
GROUND INSERT BASE STYLO C
GBASE001200



**WALL MOUNT BASE
WITH TUBE FOR WALL**
GBASE006400



WALL MOUNT BASE FOR RIO
GBASE001800



GENERAL SALES CONDITIONS

PRICES:

FIM keeps the right to review this price-list should there be any significant fluctuations outside of our control that would affect these prices.

ORDERS:

Any order is subordinated to the approval of the General Management of the Company. FIM is entitled to cancel an order or reduce it in its quantities, without this being a reason for dispute or claim from the purchaser. Eventual delays in processing the orders do not give the right to neither to cancel the order nor to refuse acceptance of the goods. Every eventual modification of the order has to be notified 15 days prior to the anticipated delivery date, after that date no modification can be made to the order.

DELIVERIES:

Even if the goods are delivered free arrival destination, the transport is at risk of the purchaser and every responsibility ceases with the handing over of the goods to the forwarder. FIM s.r.l. is not bound to insure the goods, exception made if specifically requested by the purchaser. In no case can a substitution or reimbursement be requested for lost or damaged goods. In case of damaged or lost packages, the purchaser is bound to make the relevant notes to the forwarder when receiving the goods. Eventual claims concerning missing parts inside of the packages have to be made to us by registered letter within 7 days from the reception date of the goods, but these claims do not give the right to suspend the payments. The delivery terms are to be considered indicative and are calculated in working days, exception made for events due to "force majeure", as for example strikes, accidents, interruption in transport services a.s.o. In no case can the purchaser claim the reimbursement of the damages for delayed processing of the orders by the seller.

RETURN OF GOODS:

No return of goods are accepted without anticipated written authorisation of the Company and in such case the costs for the return of the goods will anyway be for account of the customer.

TRANSPORTS:

If the goods are not picked-up by the buyer's forwarder, they are made with the forwarder which is most convenient in our opinion, without any responsibility for the Company. Packing is free of charge.

PAYMENTS:

Payments have to be effected exclusively in favour of FIM s.r.l., S. Pietro Mosezzo (NO) at the previously agreed terms.

RESERVE OF PROPERTY:

The goods remain propriety of FIM s.r.l. until they have not been completely paid.

PAYMENT DELAYS:

In case of delayed payments, bank interests will be debited at the current rate.

PLACE OF JURISDICTION:

For any dispute the Court of Novara (Italy) will be the competent Court.

FIM s.r.l.

Via Biandrate, 11
28060 San Pietro Mosezzo (NO)
Italia

tel: +39 0321 468433

web: www.fim-umbrellas.com

e-mail: info@fim-umbrellas.com

VAT NO: IT 00225510031